

Protistor® size 27x60 gR (gRB)

800VAC (IEC)

SEMICONDUCTOR PROTECTION FUSES

IEC HIGH-SPEED CYLINDRICAL FUSE-LINKS AC PROTECTION



The 800VAC Protistor® BS88-4 fuse-link provides maximum flexibility in equipment design and ultimate protection for small power conversion equipment. These fast acting gR fuses have been engineered to provide full range protection to eliminate all overloads and semiconductor fault. They are assembled with die-cut elements embedded in solidified sand, which helps control arcing characteristics for a lower I^2t and high interrupting rating level. Each fuse-link is embedded with a trip-indicator.

TECHNICAL DATA OVERVIEW

Rated voltage AC (IEC)	800 V
Ampere Range (A)	0,8 ... 110 A
Size per Standard	27x60mm
Speed/Characteristic	gR
I.R. AC (IEC)	90 kA

FEATURES & BENEFITS

- International size 27x60 mm for worldwide acceptance
- Extremely fast acting
- Eliminate all overloads
- Low I^2t for improved semiconductor protection
- Excellent cycling capability
- Selective coordination with other fuses

APPLICATIONS

- Protection of small inverters
- Protection of UPS systems
- Protection of motor drives
- Protection of similar 800VAC or less equipment

STANDARDS

- IEC 60269-4 Compliance



Protistor® size 27x60 gR (gRB)

800VAC (IEC)

PRODUCT RANGE



FR27GB80V110T

Size 27x60 gRB 800VAC with trip-indicator

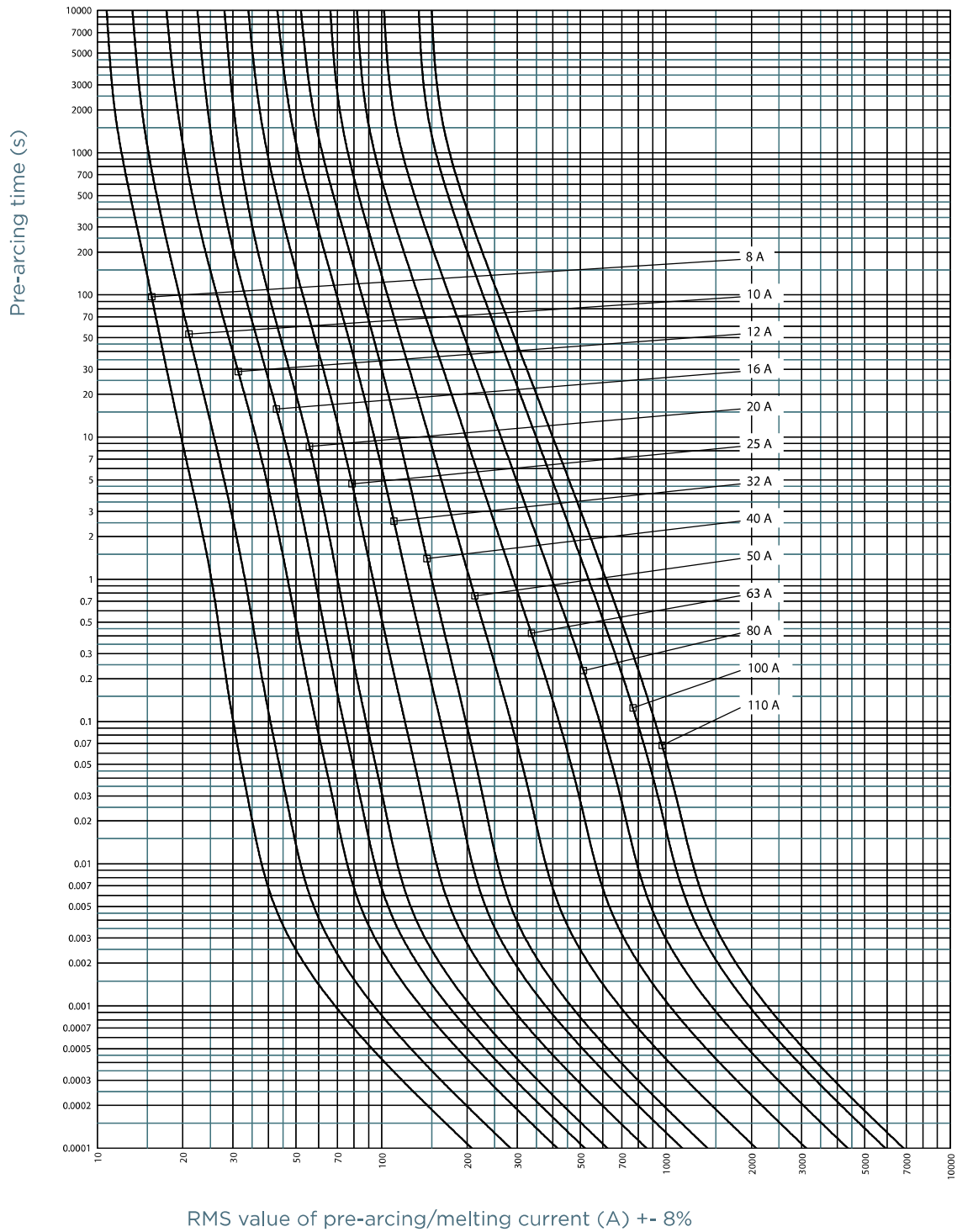
Catalog number	Item number	Size	Rated voltage AC (IEC)	Rated current I _n	Clearing I ² t at Rated Voltage	Rated breaking capacity AC	Power dissipation at I _n	Package	Weight
FR27GB80V8T	R221436	27x60	800 V	8 A	70 A ² s	90 kA	2 W	3/10	80 g
FR27GB80V10T	S221437	27x60	800 V	10 A	100 A ² s	90 kA	2.3 W	3/10	80 g
FR27GB80V12T	T221438	27x60	800 V	12 A	180 A ² s	90 kA	2.5 W	3/10	80 g
FR27GB80V16T	V221439	27x60	800 V	16 A	250 A ² s	90 kA	3.5 W	3/10	80 g
FR27GB80V20T	W221440	27x60	800 V	20 A	350 A ² s	90 kA	4 W	3/10	80 g
FR27GB80V25T	X221441	27x60	800 V	25 A	600 A ² s	90 kA	5 W	3/10	80 g
FR27GB80V32T	Y221442	27x60	800 V	32 A	1000 A ² s	90 kA	6 W	3/10	80 g
FR27GB80V40T	Z221443	27x60	800 V	40 A	1400 A ² s	90 kA	8 W	3/10	80 g
FR27GB80V50T	A221444	27x60	800 V	50 A	2700 A ² s	90 kA	8.5 W	3/10	80 g
FR27GB80V63T	B221445	27x60	800 V	63 A	5500 A ² s	90 kA	10 W	3/10	80 g
FR27GB80V80T	C221446	27x60	800 V	80 A	11000 A ² s	90 kA	11.5 W	3/10	80 g
FR27GB80V100T	D221447	27x60	800 V	100 A	19000 A ² s	90 kA	13 W	3/10	80 g
FR27GB80V110T	E221448	27x60	800 V	110 A	27000 A ² s	90 kA	14 W	3/10	80 g

Protistor® size 27x60 gR (gRB)

800VAC (IEC)

TIME CURRENT CHARACTERISTIC CURVES

CP 27x60 gRB 800VAC

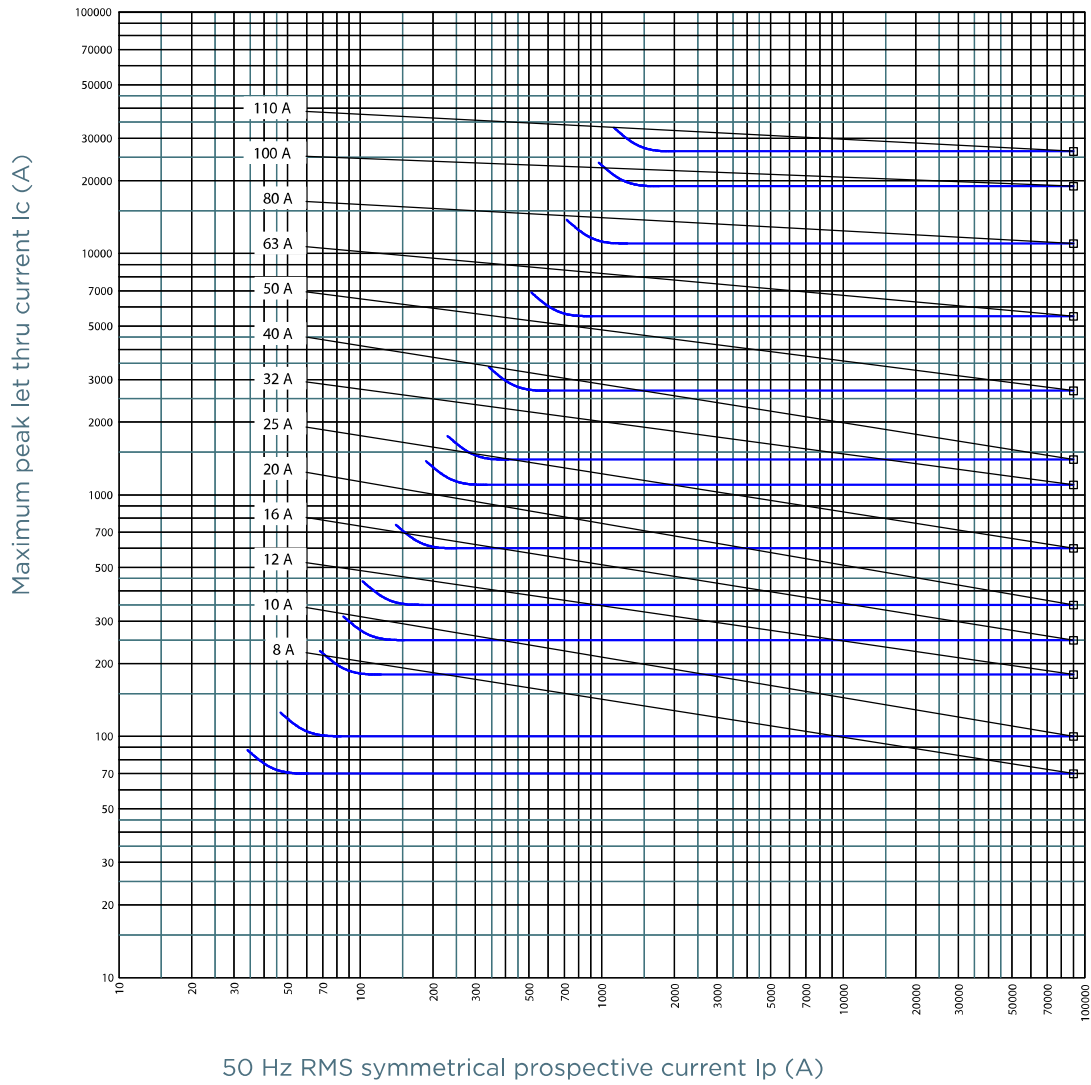


Protistor® size 27x60 gR (gRB)

800VAC (IEC)

CUT-OFF CURRENT CHARACTERISTIC

CP 27x60 gRB 800VAC

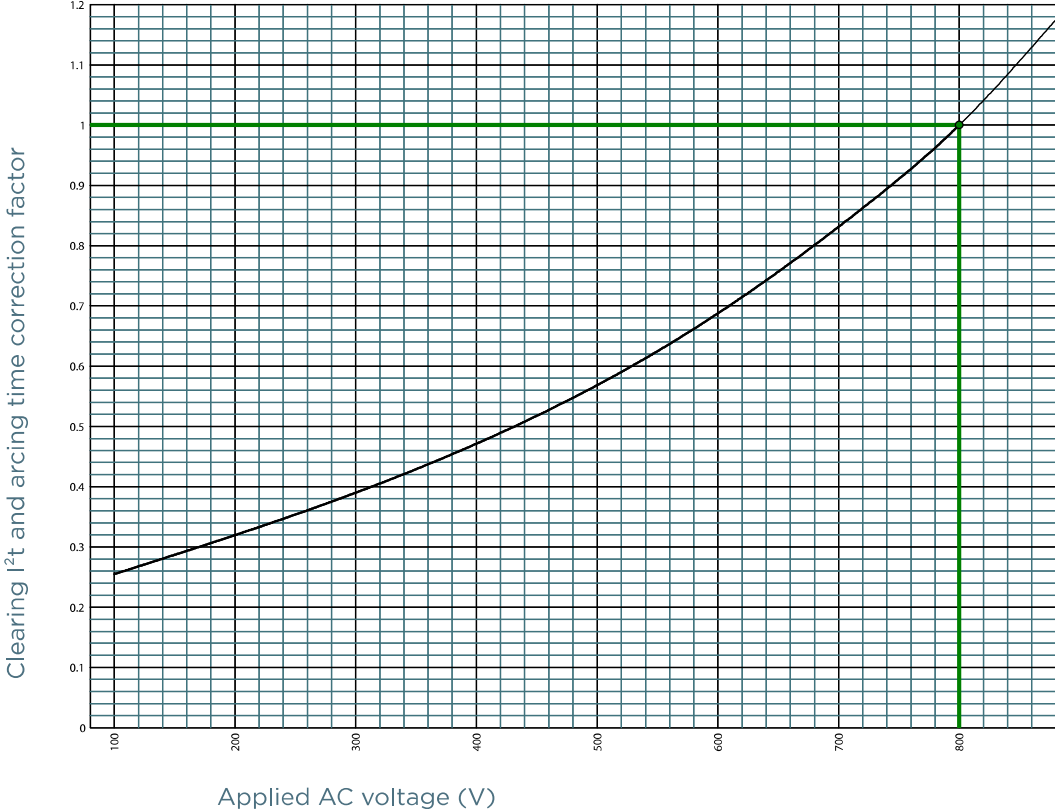


Protistor® size 27x60 gR (gRB)

800VAC (IEC)

I²T MULTIPLIER COEFFICIENT

CP 27x60 gRB 800VAC

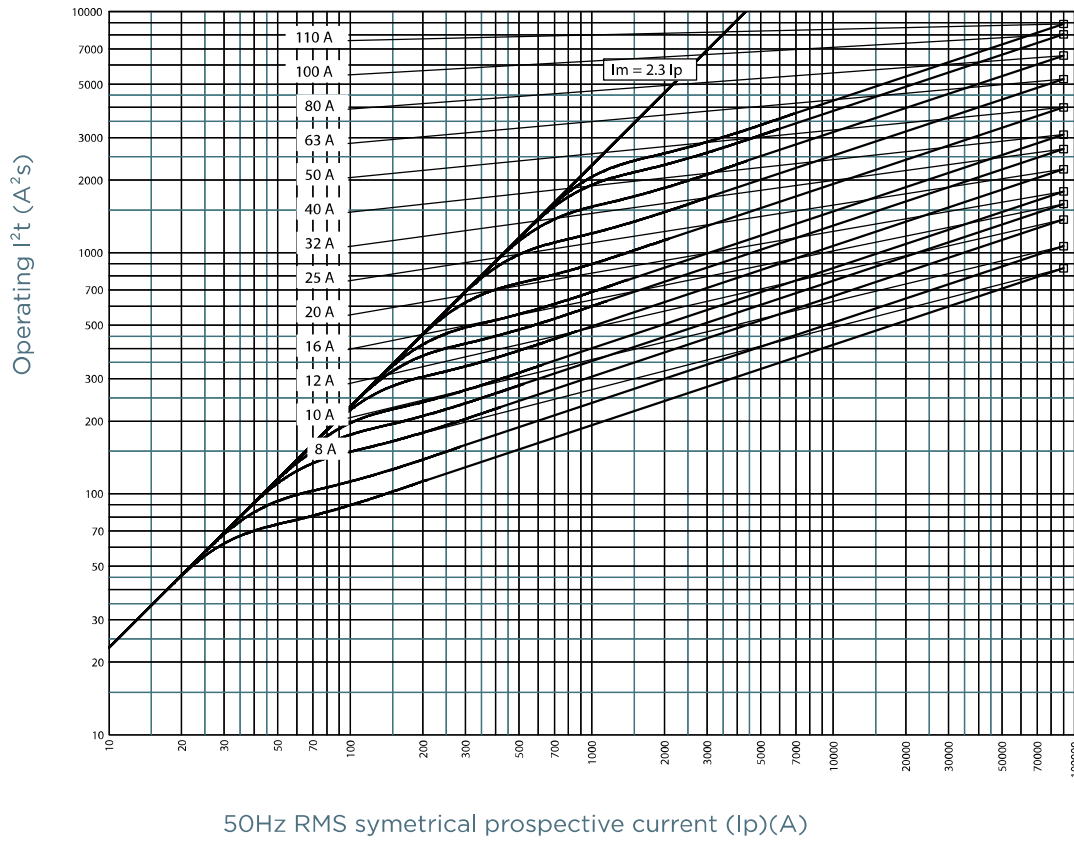


Protistor® size 27x60 gR (gRB)

800VAC (IEC)

CHARACTERISTICS TOTAL I²T CURVE

CP 27x60 gRB 800VAC

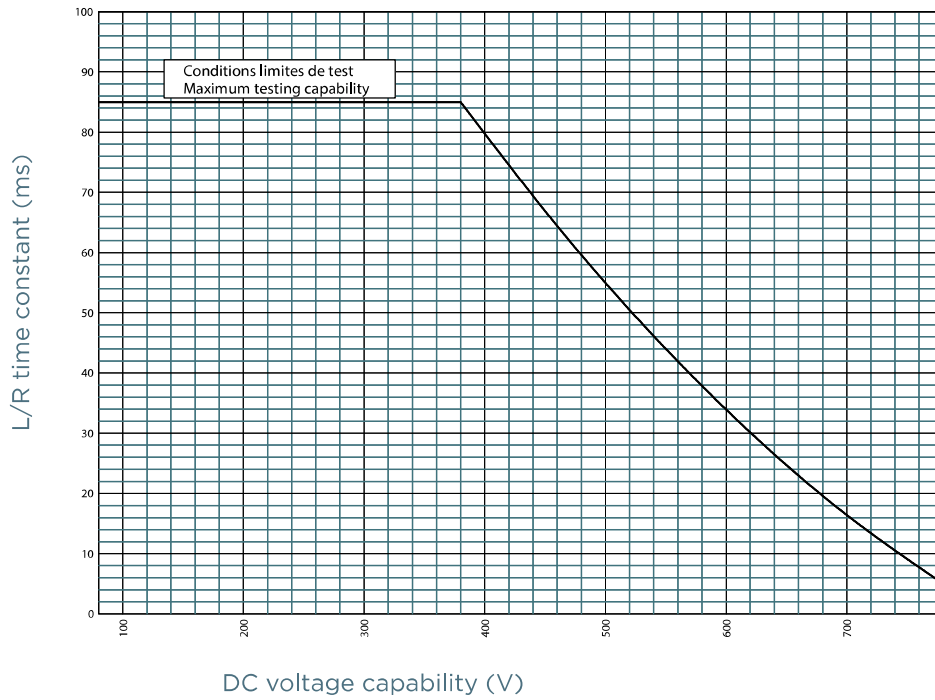


Protistor® size 27x60 gR (gRB)

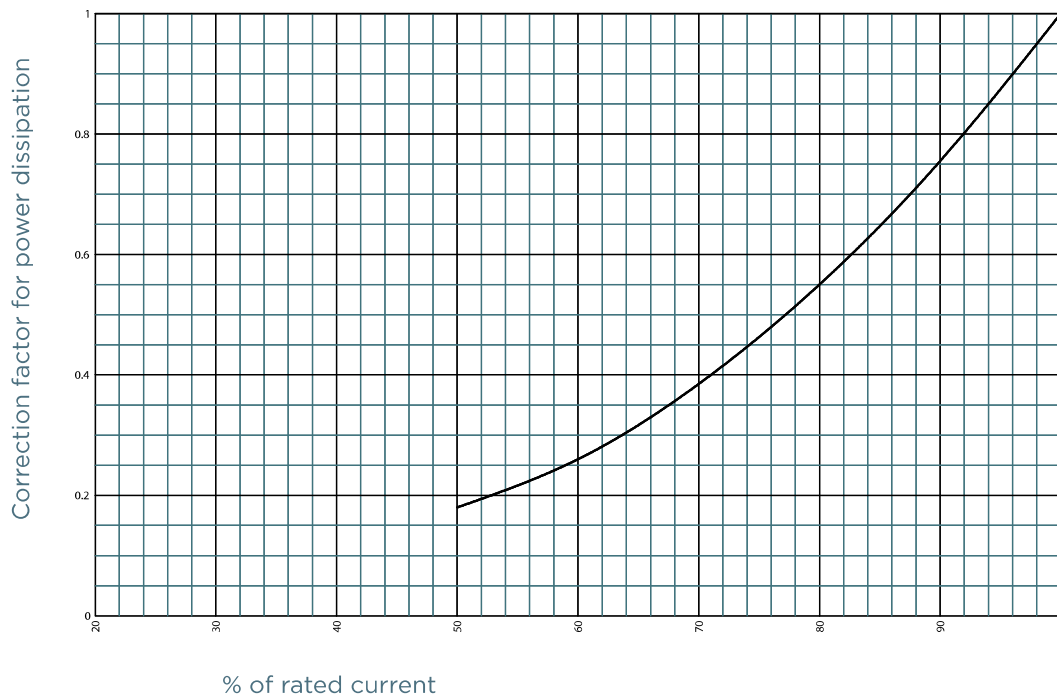
800VAC (IEC)

L/R TIME CONSTANT VS DC VOLTAGE CAPABILITY

CP 27x60 gRB 800VAC



POWER DISSIPATION

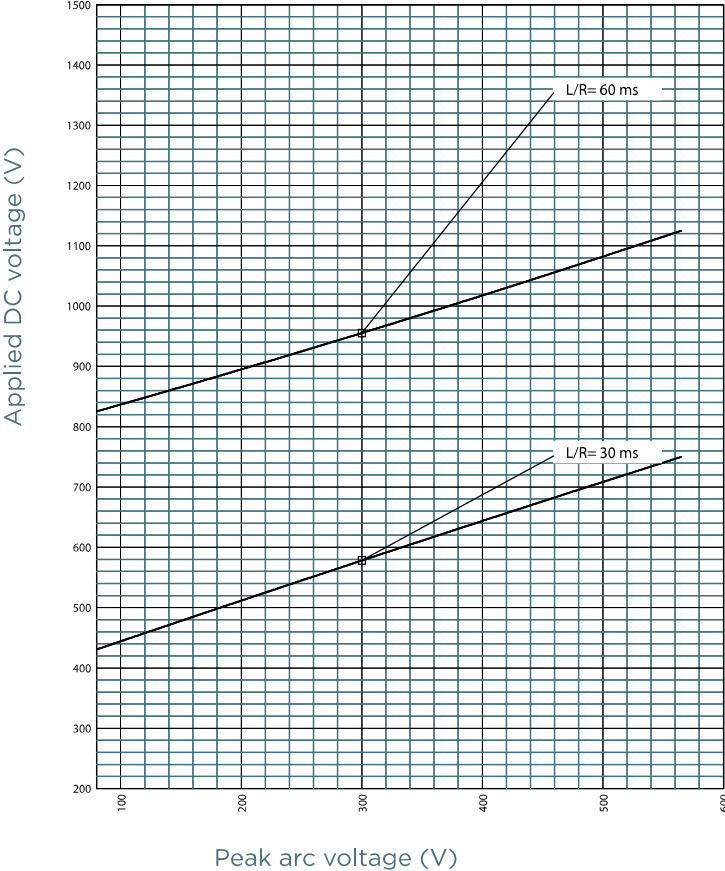


Protistor® size 27x60 gR (gRB)

800VAC (IEC)

PEAK ARC VOLTAGE

CP 27x60 gRB 800VAC



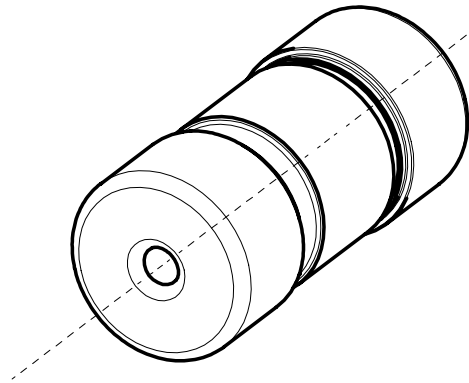
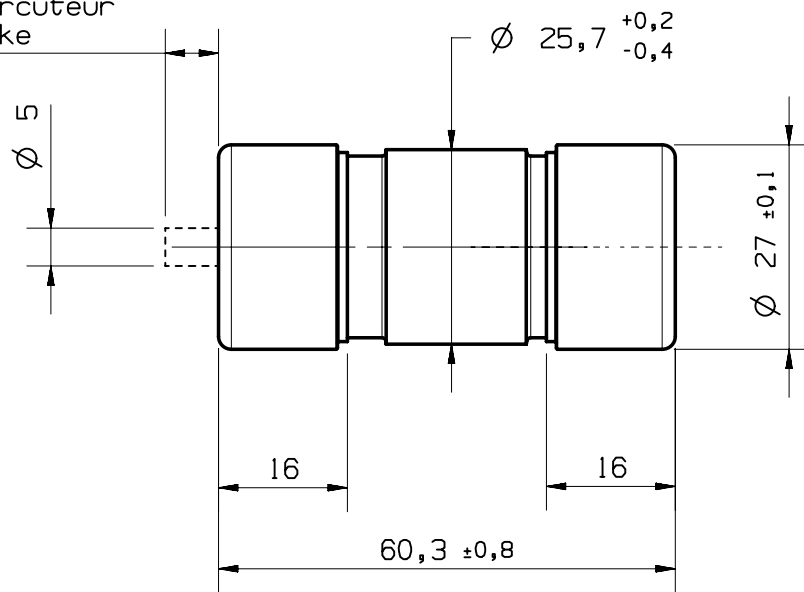
Protistor® size 27x60 gR (gRB)

800VAC (IEC)

DIMENSIONS

CP 27x60 gRB 800VAC

7 Course du percuteur
striker stroke



Dimensions in mm