

Transformer Protection

Amp-Trap[®] CL-14 Series

5.5kV, 8.25kV, and 15.5kV Clip-lock mounted fuses:

Mersen Amp-Trap fuses for the protection of transformers and distribution lines deliver overload and short circuit protection. These general purpose current-limiting fuses will melt at current that can be as low as 1.7 times the fuse current ratings up to its maximum interrupting rating. These fuses are designed to withstand the transformer magnetizing inrush current. They are single, double or triple barrels 3 inch diameter (size D) and mount in unique cam-locking clips for superior connections as well as easy installation and replacement.

Features/Benefits:

- UL listed for compatibility with UL listed equipment.
- Clip-lock mounting for reliable high integrity connection into circuit.
- Current-limiting for superior equipment protection.
- Non-venting for silent operation
- Metal embossed catalog number and manufacturing date for lasting identification.
- Blown-fuse indicator to give positive identification of open fuse.
 - 2 lb tripped force - 0.50 Inch

Highlights:

- E-Rated
- UL listed

Applications:

- Protection for 5.5kV to 15.5kV transformers or distribution systems.

Definitions:

General Purpose Current-Limiting Fuses (Per IEEE Std C37.40-2003):

A general purpose current-limiting fuse is one that is capable of interrupting all currents from its rated interrupting current down to the current that causes melting of the fusible element(s) in one hour or more.

E-Rating: E-Rated fuses are general purpose fuses that operate as follows (Per ANSI C37.46-2000):

- 100E or less – must melt in 300 seconds (5 mins.) at 200 to 240% of E (ampere) rating.
- Over 100E – must melt in 600 seconds (10 mins.) at 220 to 264% of E (ampere) rating.
- Example: A 100E fuse must melt in 300 seconds with an applied current of 200 to 240 amperes.



Ratings:

Amp-Trap CL-14 Series
(Indoor or outdoors in a weatherproof enclosure)

A055C

Volts : 5.5kV AC
Amps : 10 to 600E
IR : 63kA Sym

A083C:

Volts : 8.25kV AC
Amps : 60 to 200E
IR : 50kA Sym

A155C

Volts : 15.5kV AC
Amps : 10 to 300E
IR : 50kA Sym

Approvals:

- UL Listed to standard File E143362



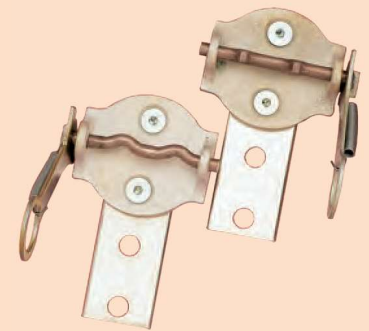
Transformer Protection

Amp-Trap® CL-14 Series

Clip-lock clips for CL-14 fuses:

228-700-520 (One pair of clips)

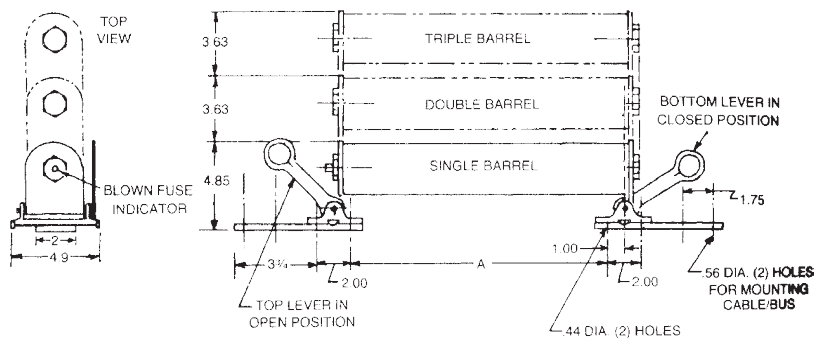
The clip lock design provides a reliable, high-pressure contact. Mersen CL-14 fuses have copper tabs which slide into position between the clip casting and cam. When the cam is locked by moving the pull ring, a high-pressure contact is made between the clip casting and fuse tab. Each clip includes two .44" diameter counter-sunk holes on 2" centers and two flat head socket screws (3/8-16 UNRC, recommended torque 200 pound-inches) for mounting the clip on standard NEMA insulators. Order catalog number 228-700-520 (for one pair of fuse clips, enough for one fuse).



Catalog Numbers, Dimensions

CL-14 Fuse Catalog No.	A Dimensions - Inches
A055C1DORO-(10E-150E)	13.25
A055C1DORO-(200E-400E)	19.25
A055C2DORO-(450E-600E)	19.25
A155C1DORO-(10E-50E)	16.25
A155C1DORO-(65E-100E)	19.25
A155C2DORO-(125E)	19.25
A155C3DORO-(150E-300E)	19.25

Mounting Details for Clip Lock Cat. No. 228-700-520



Transformer Protection

Amp-Trap[®] CL-14 Series

5.5kV / 8.25kV Clip-lock mounted fuses:

5.5kV E-Rated Amp-Trap CL-14 Series

15.25 (388mm) Clip Centers (dimension E). Suitable for use indoors or in an enclosure only



Catalog No.	Amp Rating	No. of Barrels	Indicating	Max Voltage	Max IR RMS Sym	Figure	Dimensions Inches (mm)			
							A	B	C	E
A055C1D0R0-10E	10E	1	Yes	5.5kV	63kA	A	16.81 (427)	16.12 (410)	0.5 (13) Tripped Force 2 lbs.	15.25 (388)
A055C1D0R0-15E	15E									
A055C1D0R0-20E	20E									
A055C1D0R0-25E	25E									
A055C1D0R0-30E	30E									
A055C1D0R0-40E	40E									
A055C1D0R0-50E	50E									
A055C1D0R0-65E	65E									
A055C1D0R0-80E	80E									
A055C1D0R0-100E	100E									
A055C1D0R0-125E	125E									
A055C1D0R0-150E	150E									

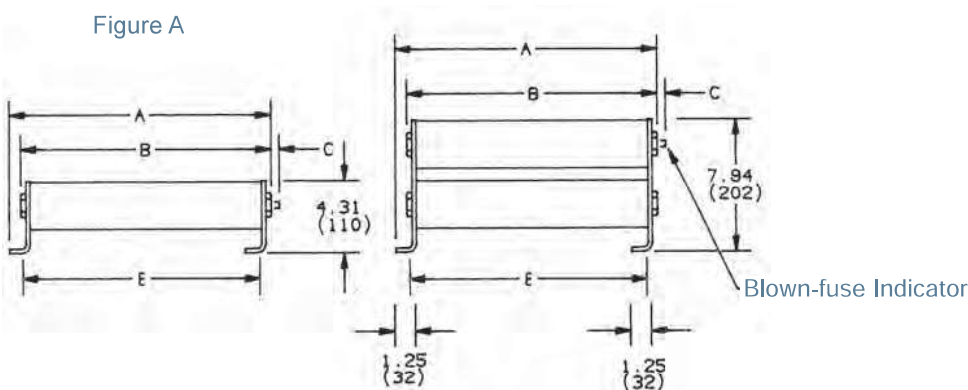
5.5kV E-Rated Amp-Trap CL-14 Series

21.25 (540mm) Clip Centers (dimension E). Suitable for use indoors or in an enclosure only



Catalog No.	Amp Rating	No. of Barrels	Indicating	Max Voltage	Max IR RMS Sym	Figure	Dimensions Inches (mm)			
							A	B	C	E
A055C1D0R0-200E	200E	1	Yes	5.5kV	63kA	A	22.81 (580)	22.12 (562)	0.5 (13) Tripped Force 2 lbs.	21.25 (540)
A055C1D0R0-250E	250E									
A055C1D0R0-300E	300E									
A055C1D0R0-400E	400E									
A055C2D0R0-450E	450E	2	Yes	5.5kV	63kA	B	22.81 (580)	22.12 (562)	0.5 (13) Tripped Force 2 lbs.	21.25 (540)
A055C2D0R0-500E	500E									
A055C2D0R0-600E	600E									

Figure B



Transformer Protection

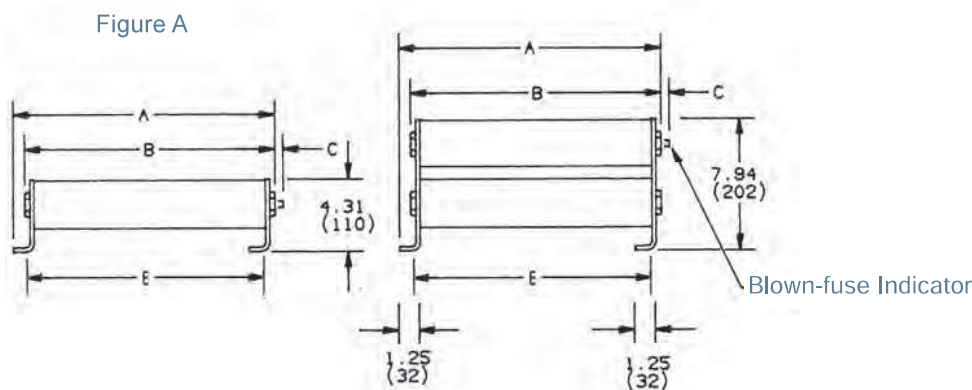
Amp-Trap® CL-14 Series

8.25kV E-Rated Amp-Trap CL-14 Series

15.70 (399mm) and 15.39 (391mm) Clip Centers (dimension E). Suitable for use indoors or in an enclosure only

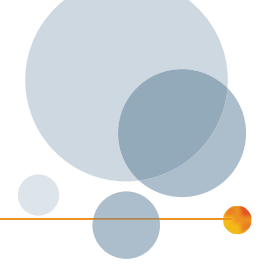
Catalog No.	Amp Rating	No. of Barrels	Indicating	Max Voltage	Max IR RMS Sym	Figure	Dimensions Inches (mm)			
							A	B	C	E
A083C1D0R0-60E	60E	1	Yes	8.25kV	50kA	A	16.95 (431)	16.26 (413)	0.5 (13) Tripped Force 2 lbs.	15.39 (391)
A083C2D0R0-200E	200E	2	Yes	8.25kV	50kA	B	16.95 (431)	16.26 (413)	0.5 (13) Tripped Force 2 lbs.	15.39 (391)

Figure B



Transformer Protection

Amp-Trap® CL-14 Series



15.5kV Clip-lock mounted fuses:

15.5kV E-Rated Amp-Trap CL-14 Series

18.25 (464mm) Clip Centers (dimension E). Suitable for use indoors or in an enclosure only



Catalog No.	Amp Rating	No. of Barrels	Indicating	Max Voltage	Max IR RMS Sym	Figure	Dimensions Inches (mm)			
							A	B	C	E
A155C1D0R0-10E	10E	1	Yes	15.5kV	50kA	A	19.81 (504)	19.12 (486)	0.5	18.25 (464)
A155C1D0R0-15E	15E								(13)	
A155C1D0R0-20E	20E								Tripped	
A155C1D0R0-25E	25E								Force	
A155C1D0R0-30E	30E								2 lbs.	
A155C1D0R0-40E	40E									
A155C1D0R0-50E	50E									

15.5kV E-Rated Amp-Trap CL-14 Series

21.25 (540mm) Clip Centers (dimension E). Suitable for use indoors or in an enclosure only



Catalog No.	Amp Rating	No. of Barrels	Indicating	Max Voltage	Max IR RMS Sym	Figure	Dimensions Inches (mm)			
							A	B	C	E
A155C1D0R0-65E	65E	1	Yes	15.5kV	50kA	A	22.81 (580)	22.12 (562)	0.5 (13)	21.25 (540)
A155C1D0R0-80E	80E								Tripped	
A155C1D0R0-100E	100E								Force 2 lbs.	
A155C2D0R0-125E	125E	2	Yes	15.5kV	50kA	B	22.81 (580)	22.12 (562)	0.5 (13)	21.25 (540)
A155C2D0R0-150E	150E								Tripped	
A155C2D0R0-200E	200E								Force 2 lbs.	
A155C3D0R0-150E	150E	3	Yes	15.5kV	50kA	C	22.81 (580)	22.12 (562)	0.5 (13)	21.25 (540)
A155C3D0R0-200E	200E								Tripped	
A155C3D0R0-250E	250E								Force 2 lbs.	
A155C3D0R0-300E	300E									

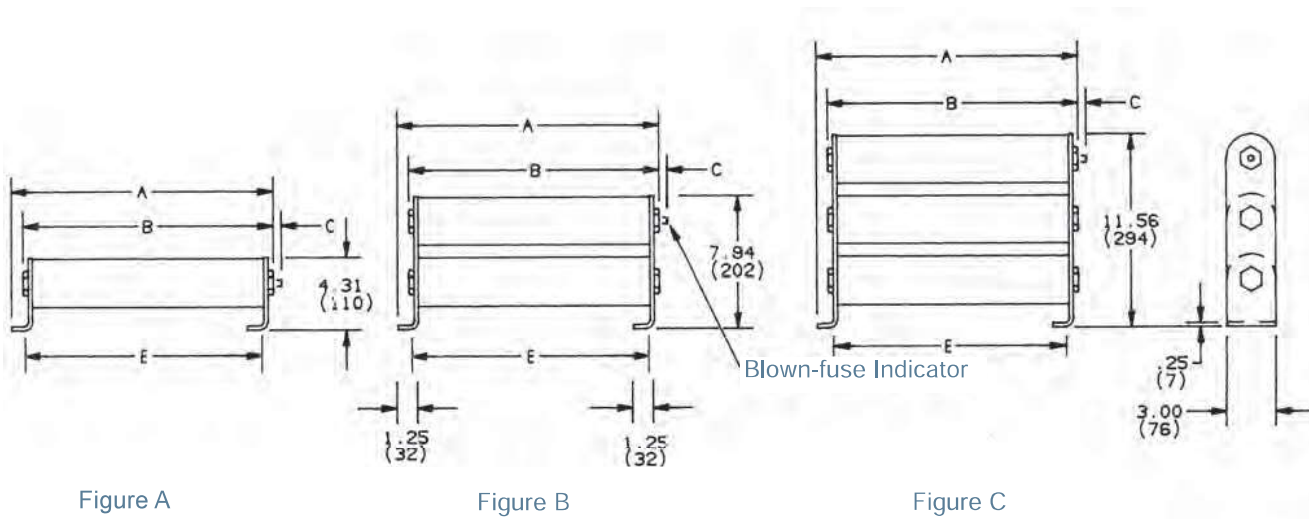


Figure A

Figure B

Figure C