

Protistor® size 73 aR

600 to 1250VAC (IEC) / 1300VAC (UL)

SEMICONDUCTOR PROTECTION FUSES

SQUARE BODY HIGH-SPEED FUSE-LINKS AC PROTECTION



These 1250/1300V Protistor® fuse-links provide maximum flexibility in equipment design and ultimate protection for today's power conversion equipment. These aR ultra-fast acting square body fuse-links are available in different body sizes, each size having multiple worldwide acceptable mounting styles.

The Protistor® have been engineered to provide state-of-the-art protection for semiconductors: diodes, thyristors and IGBT devices. Fuses are assembled with die-cut elements embedded in solidified sand, which helps control arcing characteristics for a lower I^2t and high interrupting rating level. All contact surfaces are silver plated and all hardware is non-magnetic.

All fuse-links can be equipped with a low voltage trip-indicator which can operate a field mountable microswitch.

TECHNICAL DATA OVERVIEW

Voltage Range AC	600 ... 1250 VAC
Ampere Range (A)	315 ... 1800 A
Speed/Characteristic	aR
I.R. AC	100 ... 185 kA
Product Size	73

FEATURES & BENEFITS

- Multiple body sizes and terminals or blades combination
- aR Class according to IEC 60269-4 and VDE 636-23
- Very low I^2t for improved semiconductor protection
- Ultra fast acting
- Current limiting
- Superior cycling capability

APPLICATIONS

- Protection of inverters, motor drives, UPS systems and similar 690V or less equipments.

STANDARDS

- IEC 60269-4 Compliance
- UL/CSA Recognized E76491
- CCC GB 13539.4



Protistor® size 73 aR

600 to 1250VAC (IEC) / 1300VAC (UL)

PRODUCT RANGE

Size 73 type TTI 1/2"-13 unified coarse threaded terminals

Catalog number	Item number	Rated voltage AC (IEC)	Rated voltage AC (UL)	Rated current I _n	Pre-arcing I ² t	Clearing I ² t at Rated Voltage	Rated breaking capacity AC	Power dissipation at I _n	Package	Weight
A130UD73TTI315	Z301046	1250 V	1300 V	315 A	12 kA ² s	95 kA ² s	100 kA	84 W	1	1.25 kg
A130UD73TTI350	A301047	1250 V	1300 V	350 A	17 kA ² s	140 kA ² s	100 kA	86 W	1	1.25 kg
A130UD73TTI400	B301048	1250 V	1300 V	400 A	25 kA ² s	205 kA ² s	100 kA	93 W	1	1.25 kg
A130UD73TTI450	C301049	1250 V	1300 V	450 A	35.5 kA ² s	290 kA ² s	100 kA	99 W	1	1.25 kg
A130UD73TTI500	D301050	1250 V	1300 V	500 A	44 kA ² s	360 kA ² s	100 kA	112 W	1	1.25 kg
A130UD73TTI550	E301051	1250 V	1300 V	550 A	57 kA ² s	465 kA ² s	100 kA	116 W	1	1.25 kg
A130UD73TTI630	F301052	1250 V	1300 V	630 A	84 kA ² s	680 kA ² s	100 kA	125 W	1	1.25 kg
A130UD73TTI700	G301053	1250 V	1300 V	700 A	114 kA ² s	900 kA ² s	100 kA	135 W	1	1.25 kg
A130UD73TTI800	H301054	1250 V	1300 V	800 A	189 kA ² s	1530 kA ² s	100 kA	136 W	1	1.25 kg
A130UD73TTI900	T1013903	1200 V	1300 V	900 A	250 kA ² s	1870 kA ² s	100 kA	150 W	1	1.25 kg
A110UD73TTI1000	K301056	1000 V	1100 V	1000 A	370 kA ² s	2130 kA ² s	120 kA	152 W	1	1.25 kg
A100UD73TTI1100	L301057	950 V	1000 V	1100 A	445 kA ² s	2430 kA ² s	110 kA	168 W	1	1.25 kg
A100UD73TTI1250	M301058	900 V	1000 V	1250 A	585 kA ² s	3080 kA ² s	110 kA	186 W	1	1.25 kg
A090UD73TTI1400	N301059	850 V	900 V	1400 A	755 kA ² s	3700 kA ² s	185 kA	210 W	1	1.25 kg
A070UD73TTI1600	Q300877	690 V	700 V	1600 A	1430 kA ² s	5740 kA ² s	185 kA	203 W	1	1.25 kg
A065UD73TTI1800	R300878	600 V	650 V	1800 A	2040 kA ² s	7150 kA ² s	120 kA	206 W	1	1.25 kg



PC73UD10C1000TF

Size 73 type TTF M12 threaded terminals

Catalog number	Item number	Rated voltage AC (IEC)	Rated voltage AC (UL)	Rated current I _n	Pre-arcing I ² t	Clearing I ² t at Rated Voltage	Rated breaking capacity AC	Power dissipation at I _n	Package	Weight
PC73UD13C315TF	J300503	1250 V	1300 V	315 A	12 kA ² s	95 kA ² s	100 kA	84 W	1	1.11 kg
PC73UD13C350TF	K300504	1250 V	1300 V	350 A	17 kA ² s	140 kA ² s	100 kA	86 W	1	1.11 kg
PC73UD13C400TF	L300505	1250 V	1300 V	400 A	25 kA ² s	205 kA ² s	100 kA	93 W	1	1.11 kg
PC73UD13C450TF	M300506	1250 V	1300 V	450 A	35.5 kA ² s	290 kA ² s	100 kA	99 W	1	1.11 kg
PC73UD13C500TF	N300507	1250 V	1300 V	500 A	44 kA ² s	360 kA ² s	100 kA	112 W	1	1.11 kg
PC73UD13C550TF	P300508	1250 V	1300 V	550 A	57 kA ² s	465 kA ² s	100 kA	116 W	1	1.11 kg
PC73UD13C630TF	Q300509	1250 V	1300 V	630 A	84 kA ² s	680 kA ² s	100 kA	125 W	1	1.11 kg
PC73UD13C700TF	R300510	1250 V	1300 V	700 A	114 kA ² s	900 kA ² s	100 kA	135 W	1	1.11 kg
PC73UD13C800TF	S300511	1250 V	1300 V	800 A	189 kA ² s	1530 kA ² s	100 kA	136 W	1	1.11 kg
PC73UD12C900TF	T300512	1200 V	1300 V	900 A	250 kA ² s	1870 kA ² s	100 kA	151 W	1	1.22 kg
PC73UD10C1000TF	V300513	1000 V	1100 V	1000 A	370 kA ² s	2130 kA ² s	120 kA	152 W	1	1.22 kg
PC73UD95V11CTF	W300514	950 V	1000 V	1100 A	445 kA ² s	2430 kA ² s	110 kA	168 W	1	1.22 kg
PC73UD90V13CTF	T300696	900 V	1000 V	1250 A	585 kA ² s	3080 kA ² s	110 kA	186 W	1	1.22 kg
PC73UD85V14CTF	S300718	850 V	900 V	1400 A	755 kA ² s	3700 kA ² s	185 kA	210 W	1	1.22 kg
PC73UD69V16CTF	B301301	690 V	700 V	1600 A	1430 kA ² s	5740 kA ² s	185 kA	203 W	1	1.22 kg
PC73UD60V18CTF	C301302	600 V	650 V	1800 A	2040 kA ² s	7150 kA ² s	120 kA	206 W	1	1.22 kg

MERSEN reserves the right to change, update or correct, without notice, any information contained in this datasheet.

Protistor® size 73 aR

600 to 1250VAC (IEC) / 1300VAC (UL)

PRODUCT RANGE

Size 73 type long slotted blades

Catalog number	Item number	Rated voltage AC (IEC)	Rated voltage AC (UL)	Rated current I _n	Pre-arcing I ² t	Clearing I ² t at Rated Voltage	Rated breaking capacity AC	Power dissipation at I _n	Package	Weight
A130UD73LI315	B300680	1250 V	1300 V	315 A	12 kA ² s	95 kA ² s	100 kA	84 W	1	1.25 kg
A130UD73LI350	C300681	1250 V	1300 V	350 A	17 kA ² s	140 kA ² s	100 kA	86 W	1	1.25 kg
A130UD73LI400	D300682	1250 V	1300 V	400 A	25 kA ² s	205 kA ² s	100 kA	93 W	1	1.25 kg
A130UD73LI450	E300683	1250 V	1300 V	450 A	35.5 kA ² s	290 kA ² s	100 kA	100 W	1	1.25 kg
A120UD73LI500	F300684	1250 V	1300 V	500 A	44 kA ² s	360 kA ² s	100 kA	112 W	1	1.25 kg
A130UD73LI550	G300685	1250 V	1300 V	550 A	57 kA ² s	465 kA ² s	100 kA	120 W	1	1.25 kg
A130UD73LI630	H300686	1250 V	1300 V	630 A	84 kA ² s	680 kA ² s	100 kA	132 W	1	1.25 kg
A130UD73LI700	J300687	1200 V	1300 V	700 A	110 kA ² s	900 kA ² s	100 kA	146 W	1	1.36 kg
A120UD73LI800	K300688	1100 V	1200 V	800 A	190 kA ² s	1230 kA ² s	100 kA	148 W	1	1.25 kg
A110UD73LI900	L300689	1000 V	1100 V	900 A	250 kA ² s	1440 kA ² s	120 kA	170 W	1	1.25 kg
A100UD73LI1000	M300690	900 V	1000 V	1000 A	370 kA ² s	1920 kA ² s	110 kA	174 W	1	1.16 kg
A100UD73LI1100	N300691	900 V	1000 V	1100 A	445 kA ² s	2280 kA ² s	110 kA	208 W	1	1.36 kg
A100UD73LI1250	J301193	900 V	1000 V	1250 A	585 kA ² s	3080 kA ² s	110 kA	234 W	1	1.25 kg
A90UD73LI1400	K301194	850 V	900 V	1400 A	755 kA ² s	3700 kA ² s	100 kA	260 W	1	1.25 kg

Size 73 type NH style blade contacts

Catalog number	Item number	Rated voltage AC (IEC)	Rated voltage AC (UL)	Rated current I _n	Pre-arcing I ² t	Clearing I ² t at Rated Voltage	Rated breaking capacity AC	Power dissipation at I _n	Package	Weight
PC73UD13C450PA	X302976	1250 V	1300 V	450 A	35.5 kA ² s	290 kA ² s	100 kA	100 W	3	1.16 kg
PC73UD13C500PA	S302719	1250 V	1300 V	500 A	44 kA ² s	360 kA ² s	100 kA	112 W	3	1.16 kg
PC73UD13C550PA	Y302977	1250 V	1300 V	550 A	57 kA ² s	465 kA ² s	100 kA	120 W	3	1.16 kg
PC73UD13C630PA	D300843	1250 V	1300 V	630 A	84 kA ² s	680 kA ² s	100 kA	132 W	3	1.16 kg
PC73UD12C700PA	B301784	1200 V	1300 V	700 A	110 kA ² s	900 kA ² s	100 kA	146 W	3	1.16 kg
PC73UD11C800PA	Z301966	1100 V	1200 V	800 A	190 kA ² s	1230 kA ² s	100 kA	148 W	3	1.16 kg
PC73UD10C900PA	F302685	1000 V	1100 V	900 A	250 kA ² s	1440 kA ² s	120 kA	170 W	3	1.16 kg
PC73UD90V10CPA	R302718	900 V	1000 V	1000 A	370 kA ² s	1920 kA ² s	110 kA	174 W	3	1.16 kg
PC73UD90V11CPA	Q302717	900 V	1000 V	1100 A	445 kA ² s	2280 kA ² s	110 kA	208 W	3	1.16 kg
PC73UD85V14CPA	G302686	900 V	1000 V	1250 A	585 kA ² s	3080 kA ² s	110 kA	234 W	3	1.16 kg
A090UD73PA1400	G302709	850 V	900 V	1400 A	755 kA ² s	3700 kA ² s	100 kA	260 W	3	1.16 kg

Size 73 for bolted connections

Catalog number	Item number	Rated voltage AC (IEC)	Rated voltage AC (UL)	Rated current I _n	Pre-arcing I ² t	Clearing I ² t at Rated Voltage	Rated breaking capacity AC	Power dissipation at I _n	Package	Weight
PC73UD13C315EF	V300628	1250 V	1300 V	315 A	12 kA ² s	95 kA ² s	100 kA	84 W	1	1.11 kg
PC73UD13C350EF	W300629	1250 V	1300 V	350 A	17 kA ² s	140 kA ² s	100 kA	86 W	1	1.15 kg
PC73UD13C400EF	X300630	1250 V	1300 V	400 A	25 kA ² s	205 kA ² s	100 kA	93 W	1	1.15 kg
PC73UD13C450EF	Y300631	1250 V	1300 V	450 A	35.5 kA ² s	290 kA ² s	100 kA	100 W	1	1.15 kg
PC73UD13C500EF	Z300632	1250 V	1300 V	500 A	44 kA ² s	360 kA ² s	100 kA	112 W	1	1.11 kg
PC73UD13C550EF	A300633	1250 V	1300 V	550 A	57 kA ² s	465 kA ² s	100 kA	120 W	1	1.11 kg
PC73UD13C630EF	B300634	1250 V	1300 V	630 A	84 kA ² s	680 kA ² s	100 kA	132 W	1	1.11 kg
PC73UD12C700EF	C300635	1200 V	1300 V	700 A	110 kA ² s	900 kA ² s	100 kA	146 W	1	1.15 kg
PC73UD11C800EF	D300636	1100 V	1200 V	800 A	190 kA ² s	1230 kA ² s	100 kA	148 W	1	1.11 kg
PC73UD10C900EF	E300637	1000 V	1100 V	900 A	250 kA ² s	1440 kA ² s	120 kA	170 W	1	1.11 kg
PC73UD90V10CEF	F300638	900 V	1000 V	1000 A	370 kA ² s	1920 kA ² s	110 kA	174 W	1	1.11 kg
PC73UD90V11CEF	G300639	900 V	1000 V	1100 A	445 kA ² s	2280 kA ² s	110 kA	208 W	1	1.15 kg

MERSEN reserves the right to change, update or correct, without notice, any information contained in this datasheet.

Protistor® size 73 aR

600 to 1250VAC (IEC) / 1300VAC (UL)

PRODUCT RANGE



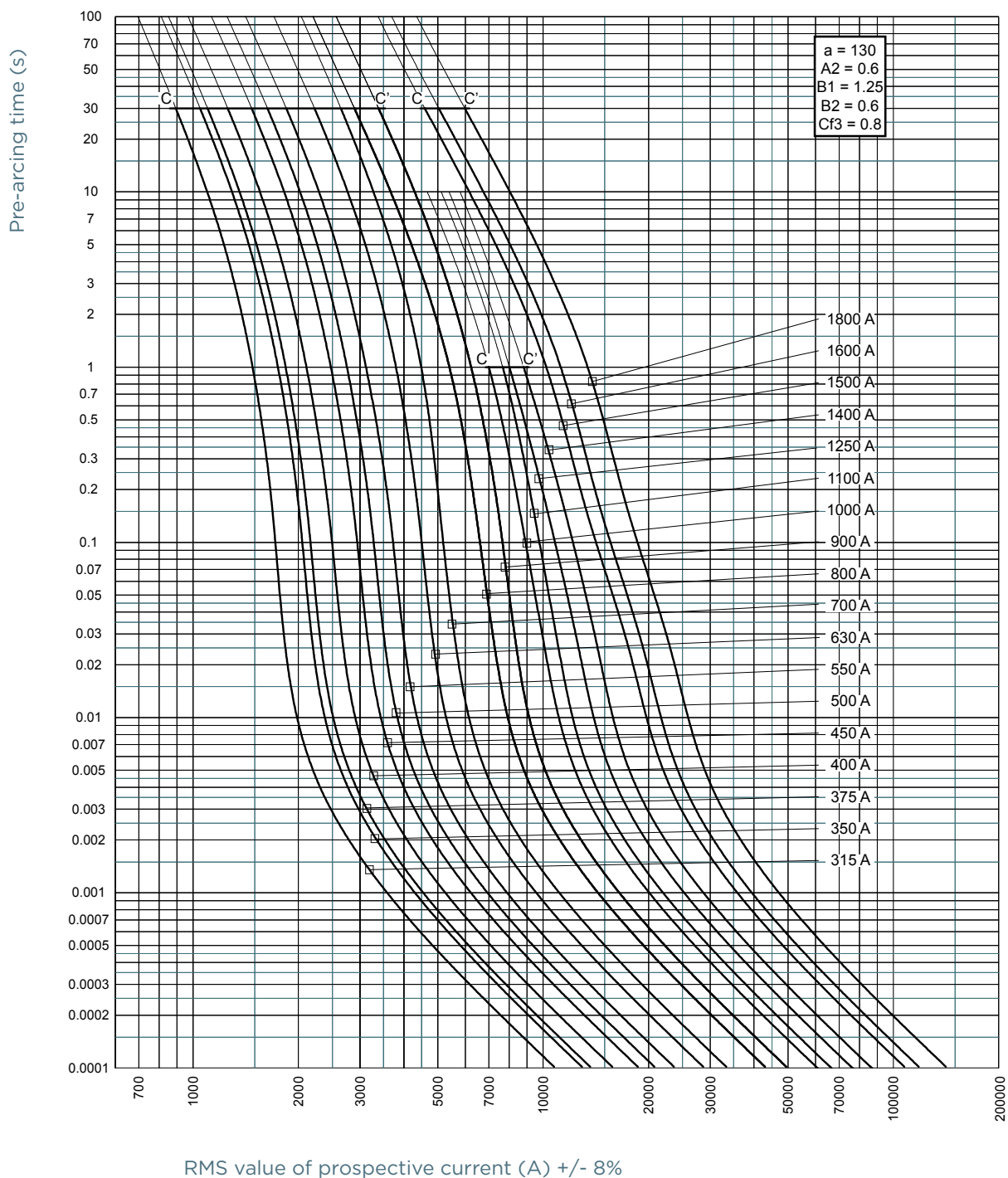
PC73UD90V11CD1A

Size 73 type DIN110

Catalog number	Item number	Rated voltage AC (IEC)	Rated voltage AC (UL)	Rated current I _n	Pre-arcing I ² t	Clearing I ² t at Rated Voltage	Rated breaking capacity AC	Power dissipation at I _n	Package	Weight
PC73UD13C315D1A	A300564	1250 V	1300 V	315 A	12 kA ² s	95 kA ² s	100 kA	84 W	1	1.12 kg
PC73UD13C350D1A	B300565	1250 V	1300 V	350 A	17 kA ² s	140 kA ² s	100 kA	86 W	1	1.12 kg
PC73UD13C400D1A	C300566	1250 V	1300 V	400 A	25 kA ² s	205 kA ² s	100 kA	93 W	1	1.12 kg
PC73UD13C450D1A	D300567	1250 V	1300 V	450 A	35.5 kA ² s	290 kA ² s	100 kA	100 W	1	1.12 kg
PC73UD13C500D1A	E300568	1250 V	1300 V	500 A	44 kA ² s	360 kA ² s	100 kA	112 W	1	1.12 kg
PC73UD13C550D1A	F300569	1250 V	1300 V	550 A	57 kA ² s	465 kA ² s	100 kA	120 W	1	1.12 kg
PC73UD13C630D1A	G300570	1250 V	1300 V	630 A	84 kA ² s	680 kA ² s	100 kA	132 W	1	1.12 kg
PC73UD12C700D1A	H300571	1200 V	1300 V	700 A	110 kA ² s	900 kA ² s	100 kA	146 W	1	1.12 kg
PC73UD11C800D1A	J300572	1100 V	1200 V	800 A	190 kA ² s	1230 kA ² s	100 kA	148 W	1	1.12 kg
PC73UD10C900D1A	K300573	1000 V	1100 V	900 A	250 kA ² s	1440 kA ² s	120 kA	170 W	1	1.12 kg
PC73UD90V11CD1A	M300575	900 V	1000 V	1100 A	445 kA ² s	2280 kA ² s	110 kA	208 W	1	1.12 kg
PC73UD90V10CD1A	L300574	900 V	1000 V	1000 A	370 kA ² s	1920 kA ² s	110 kA	174 W	1	1.12 kg

MERSEN reserves the right to change, update or correct, without notice, any information contained in this datasheet.

TIME CURRENT CHARACTERISTIC CURVES



CUT-OFF CURRENT CHARACTERISTIC

Size 73 aR 600V 1800A

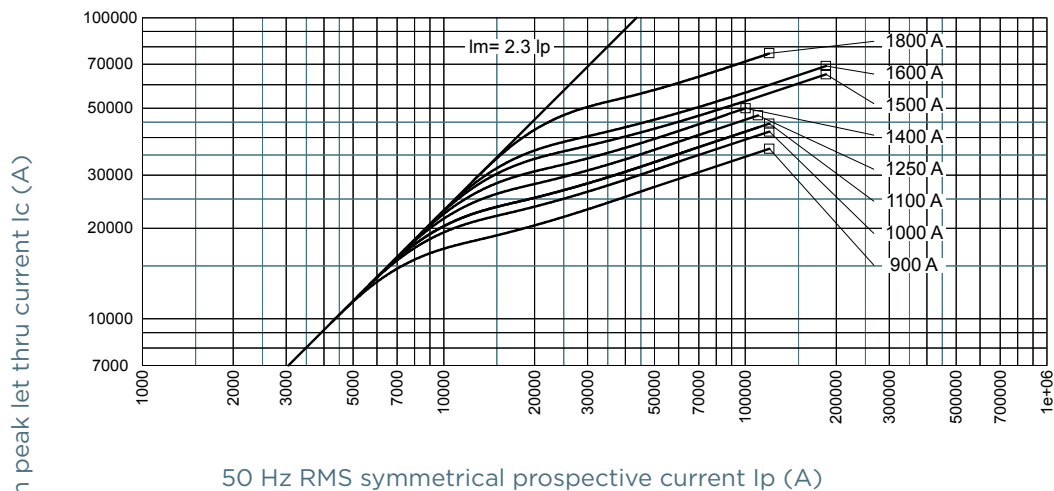
Size 73 aR 690V 1500 - 1600A

Size 73 aR 850V 1400A

Size 73 aR 900V 1000 - 1250A

Size 73 aR 950V 1100A

Size 73 aR 1000V 900 - 1100A

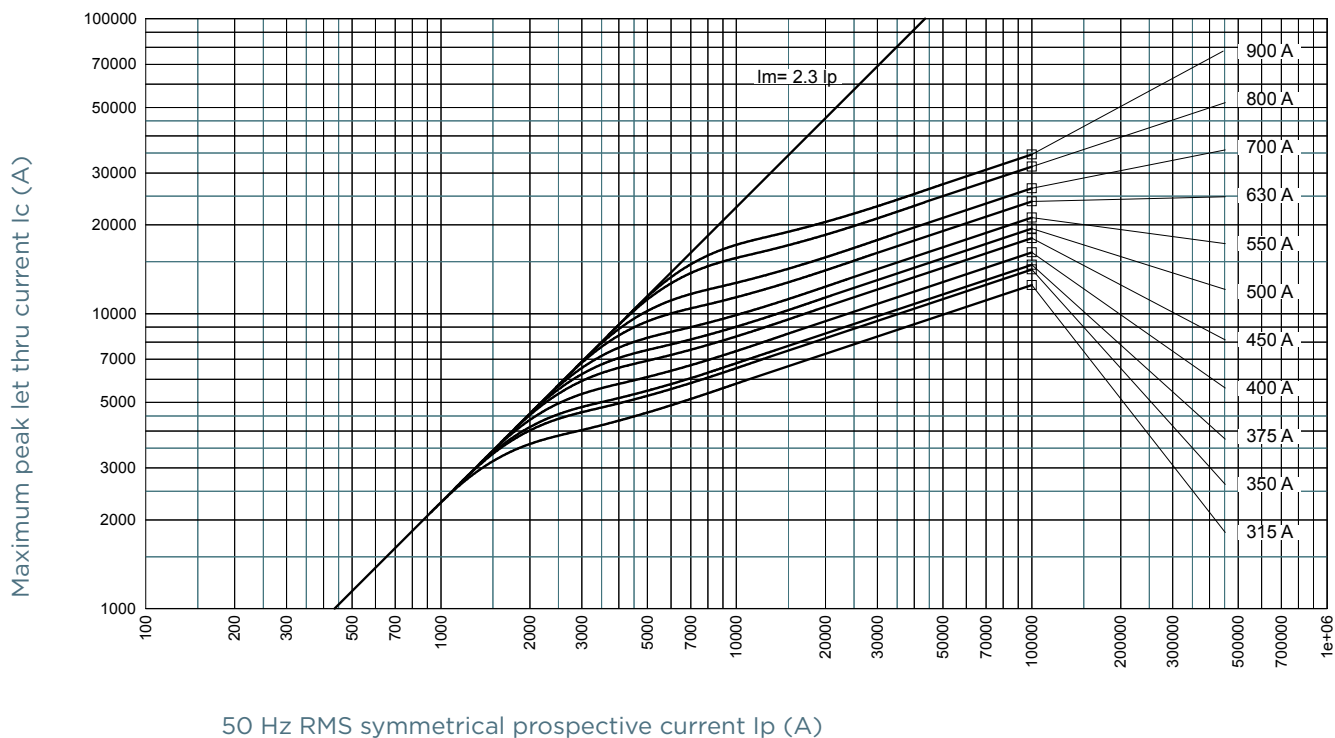


CUT-OFF CURRENT CHARACTERISTIC

Size 73 aR 1100V 800A

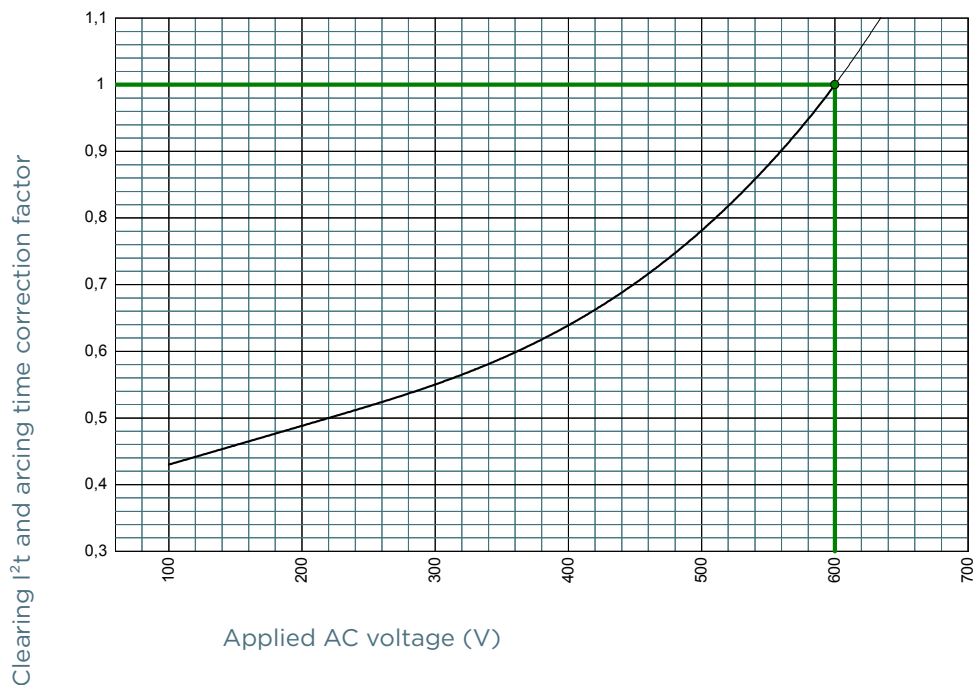
Size 73 aR 1200V 700 - 900A

Size 73 aR 1250V 315 - 800A

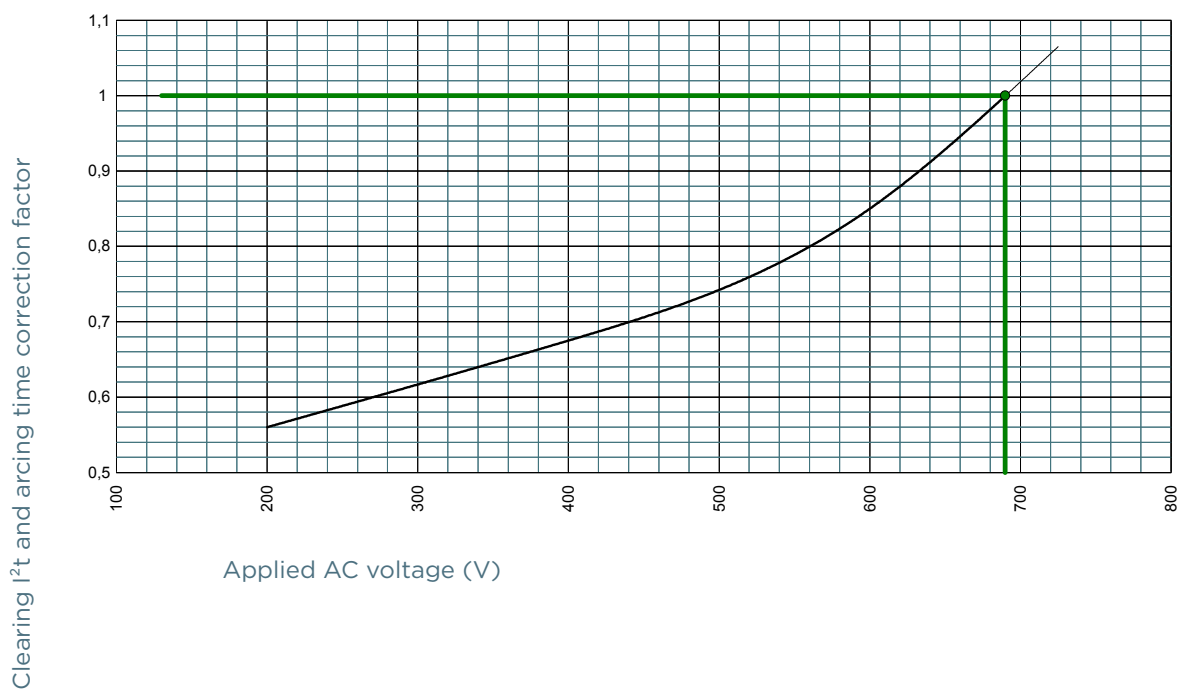


I²T MULTIPLIER COEFFICIENT

Size 73 aR 600V

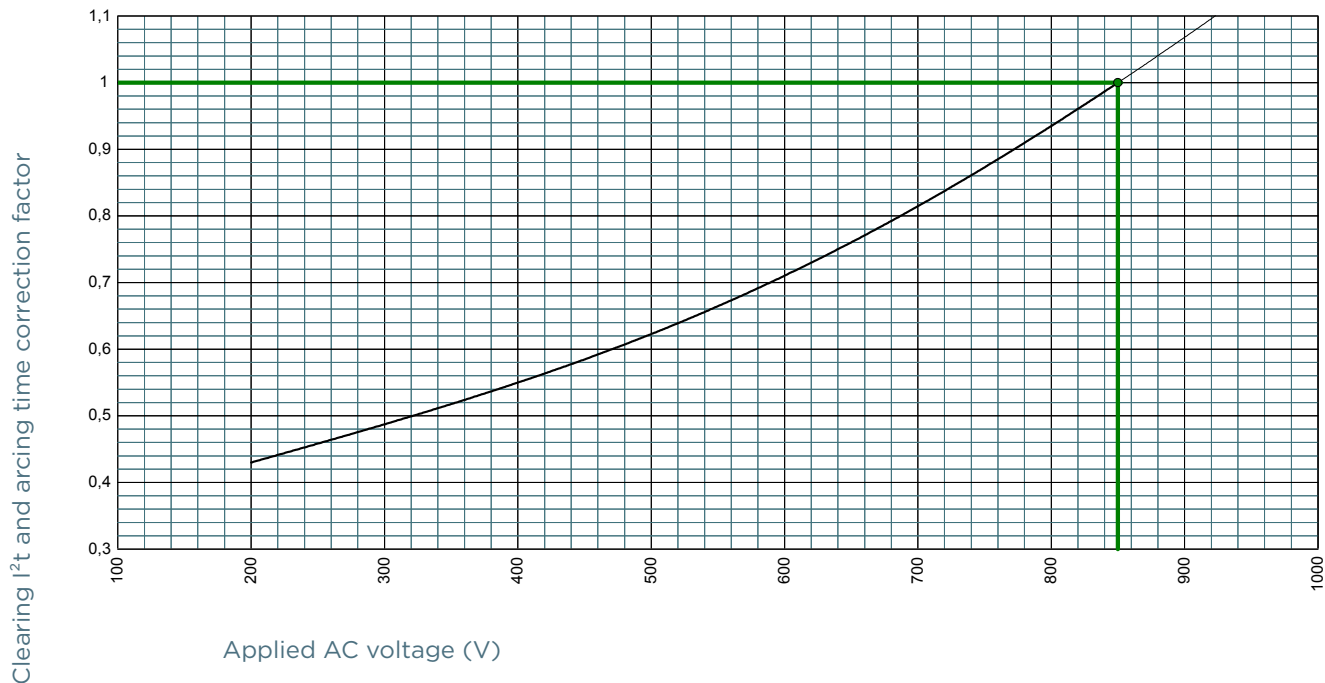


Size 73 aR 690V

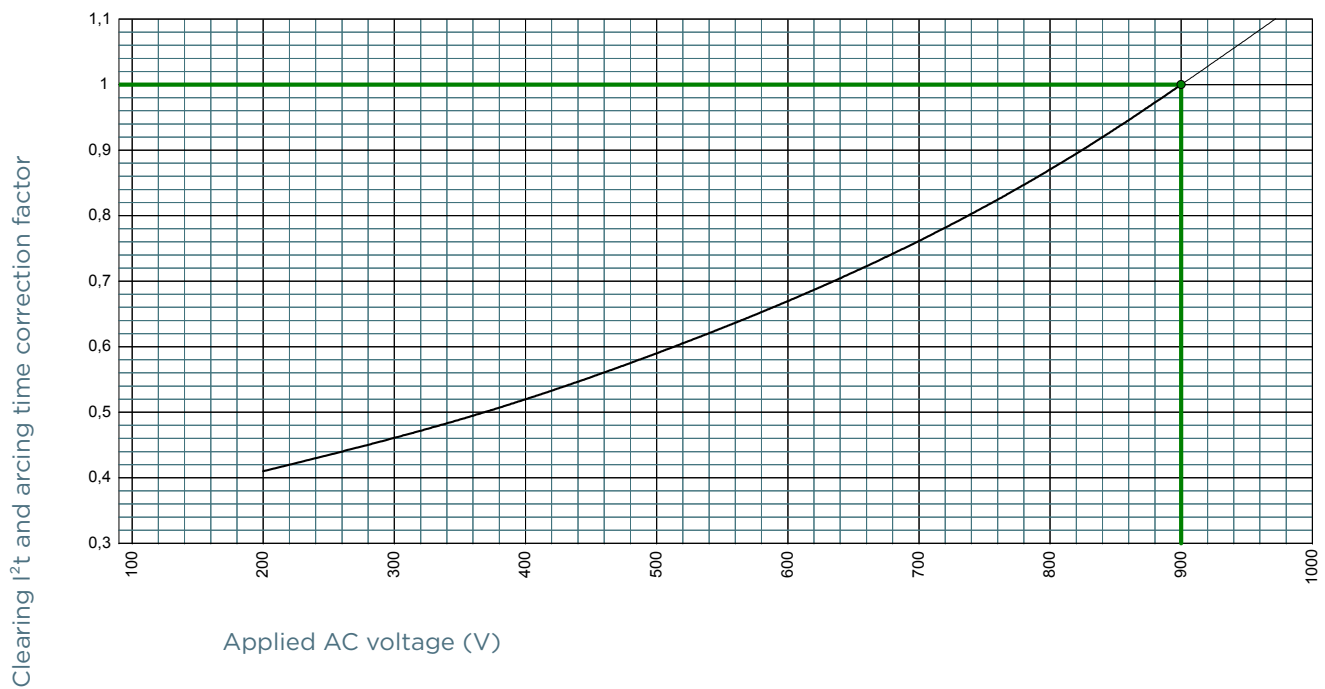


I²T MULTIPLIER COEFFICIENT

Size 73 aR 850V

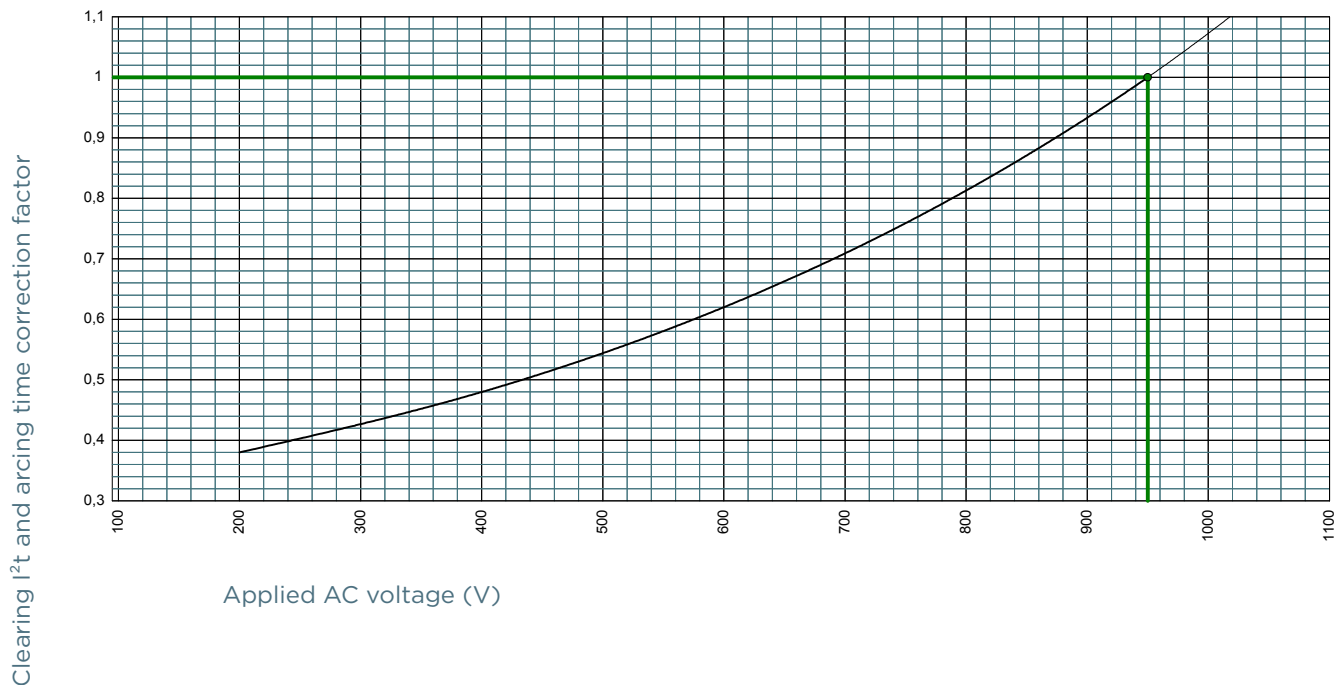


Size 73 aR 900V

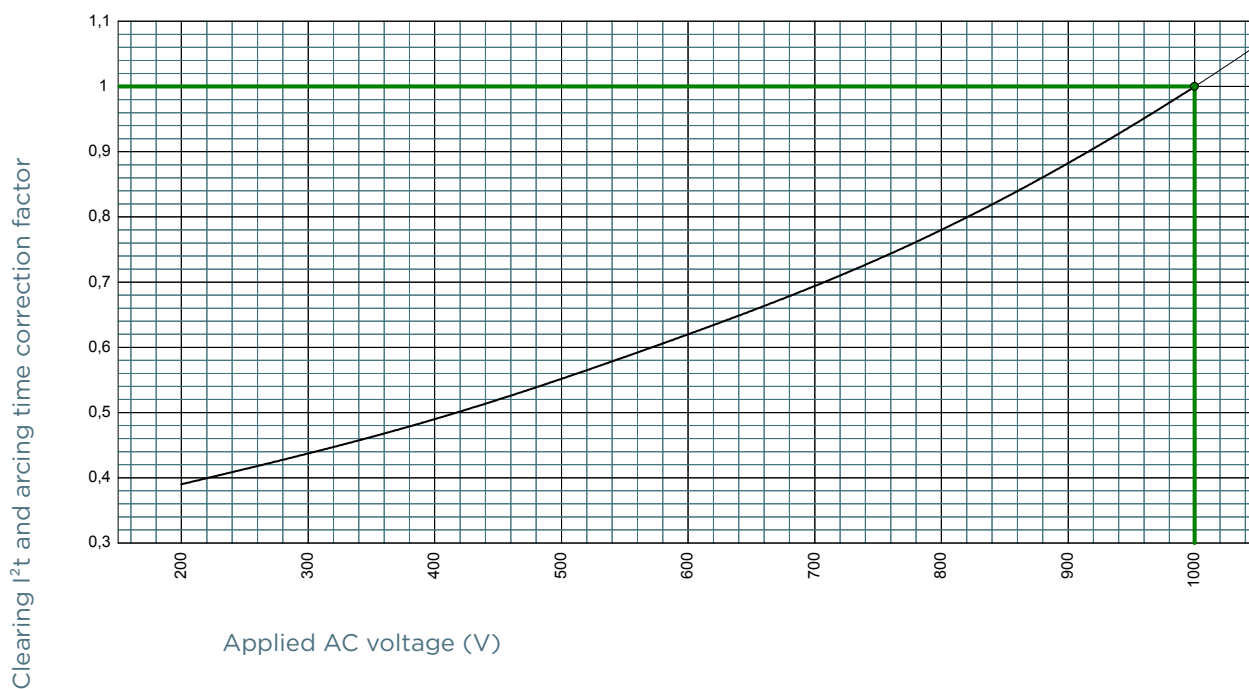


I²T MULTIPLIER COEFFICIENT

Size 73 aR 950V



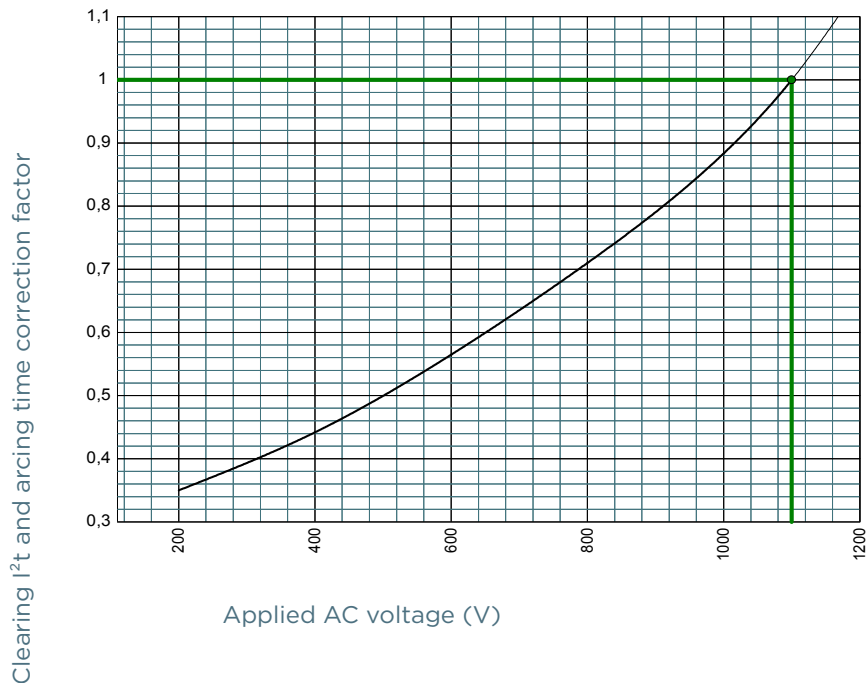
Size 73 aR 1000V



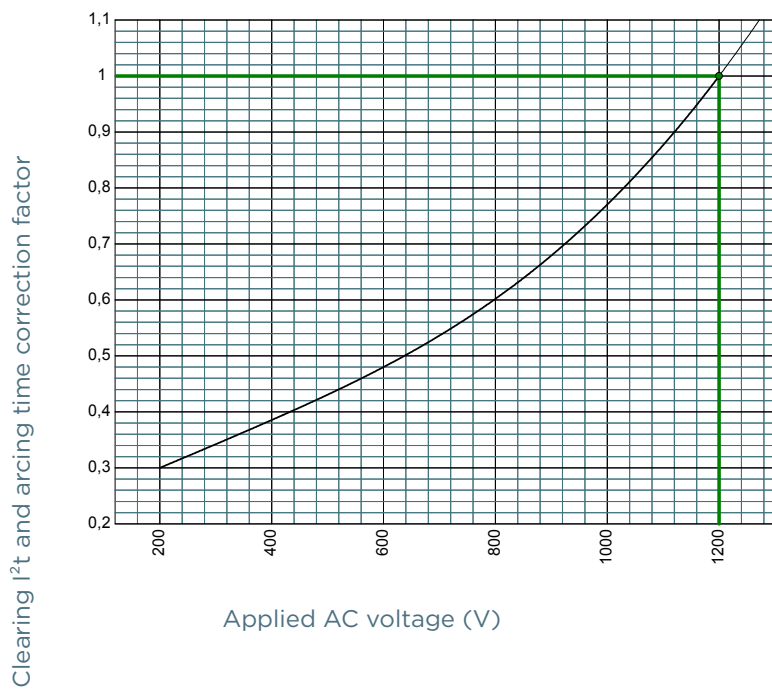
MERSEN reserves the right to change, update or correct, without notice, any information contained in this datasheet.

I²T MULTIPLIER COEFFICIENT

Size 73 aR 1100V

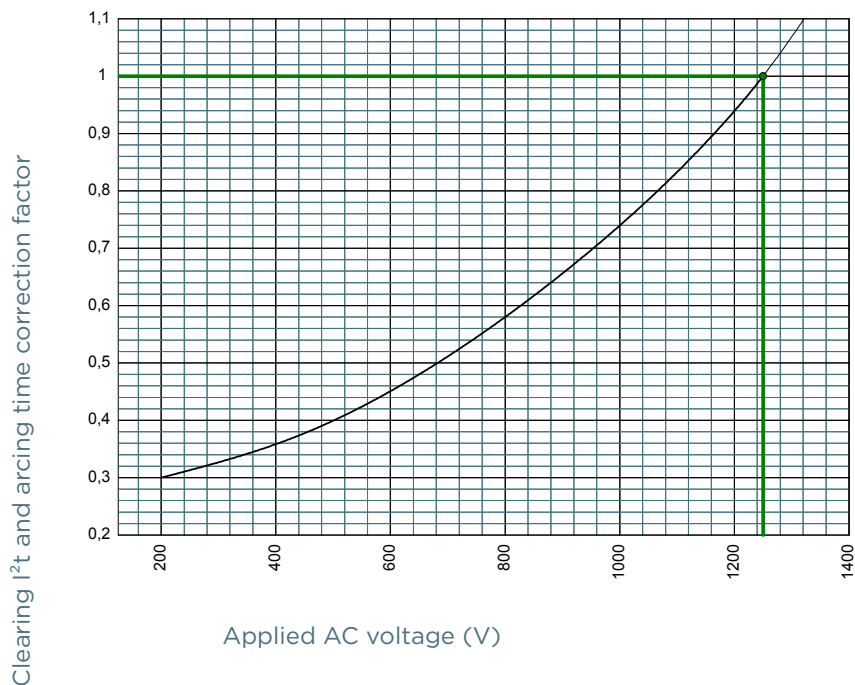


Size 73 aR 1200V



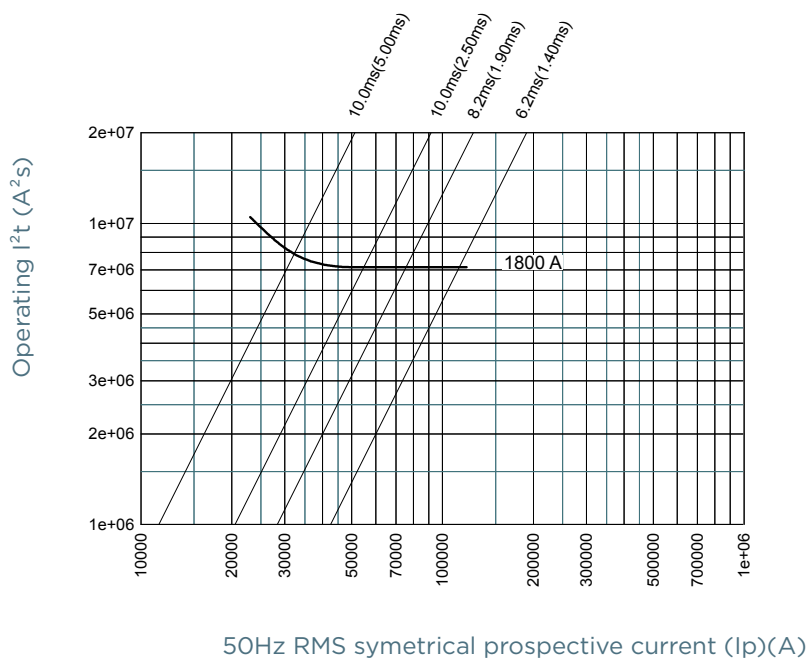
I²T MULTIPLIER COEFFICIENT

Size 73 aR 1250V



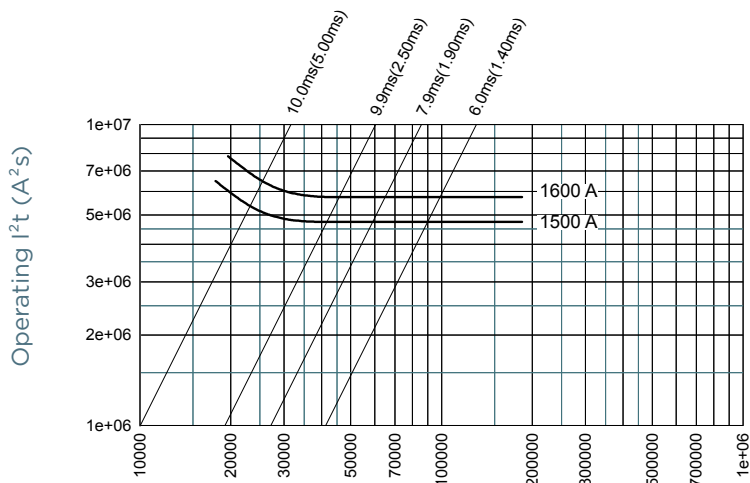
CHARACTERISTICS TOTAL I²T CURVE

Size 73 aR 600V



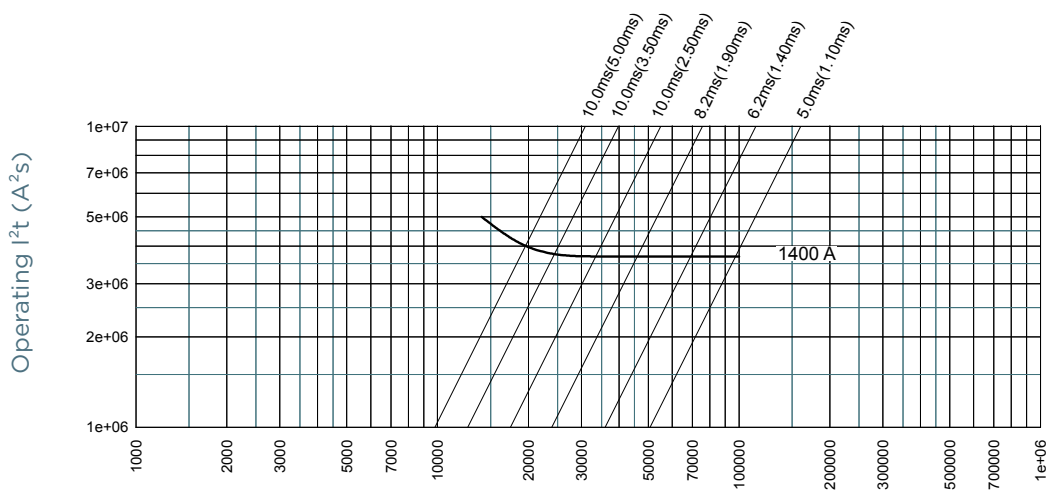
CHARACTERISTICS TOTAL I²T CURVE

Size 73 aR 690V



50Hz RMS symmetrical prospective current (Ip)(A)

Size 73 aR 850V



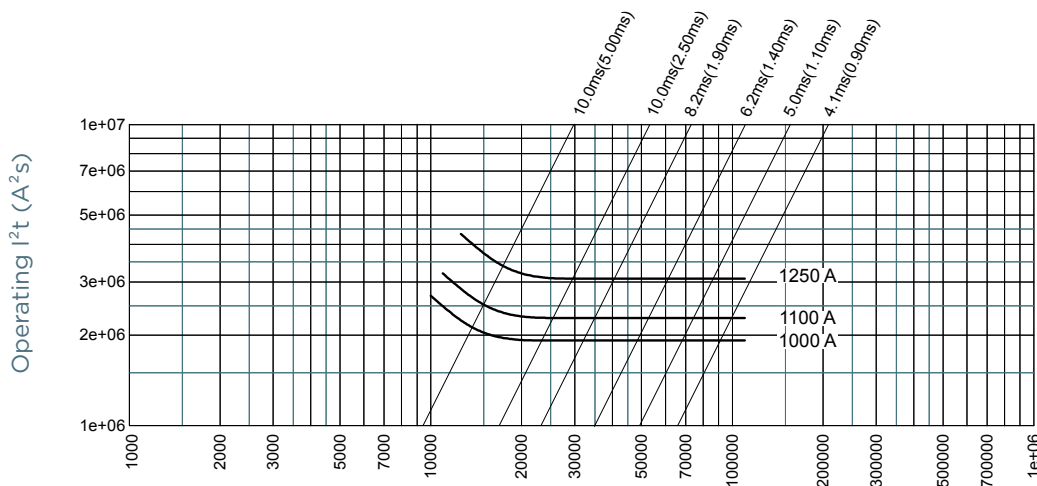
50Hz RMS symmetrical prospective current (Ip)(A)

Protistor® size 73 aR

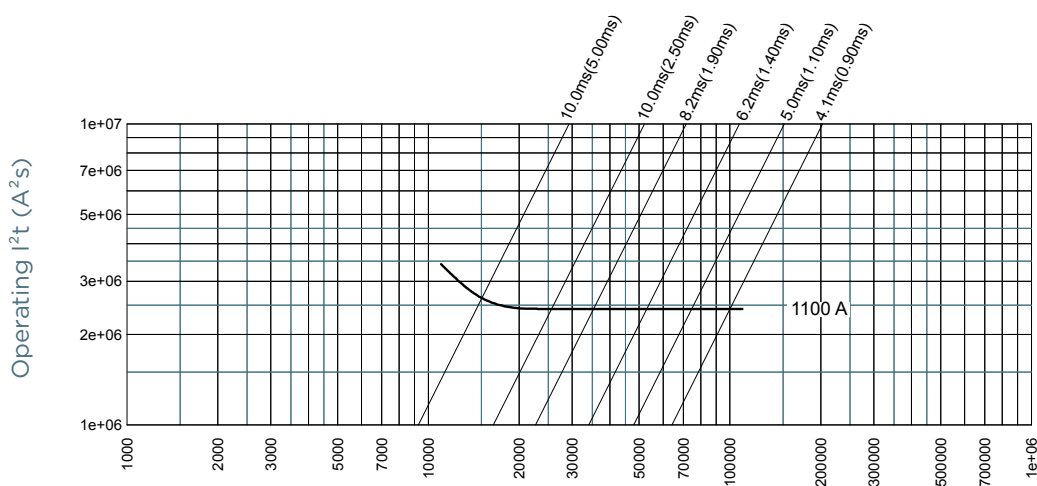
600 to 1250VAC (IEC) / 1300VAC (UL)

CHARACTERISTICS TOTAL I²T CURVE

Size 73 aR 900V



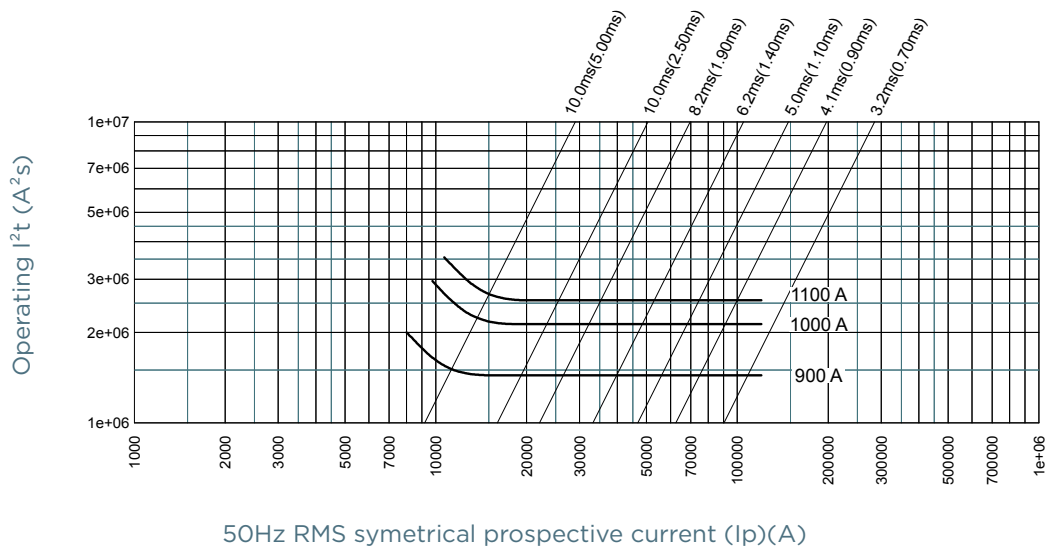
Size 73 aR 950V



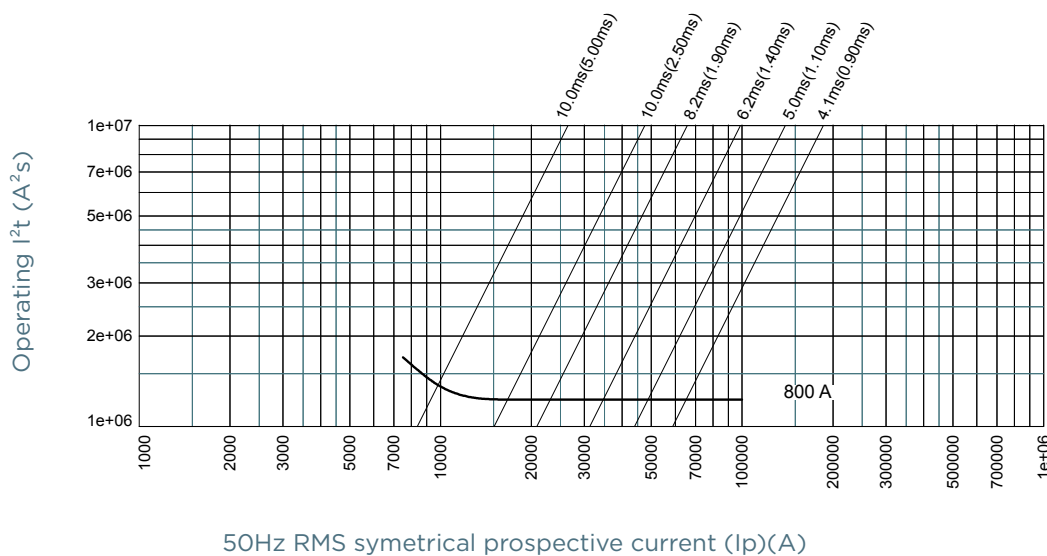
MERSEN reserves the right to change, update or correct, without notice, any information contained in this datasheet.

CHARACTERISTICS TOTAL I²T CURVE

Size 73 aR 1000V

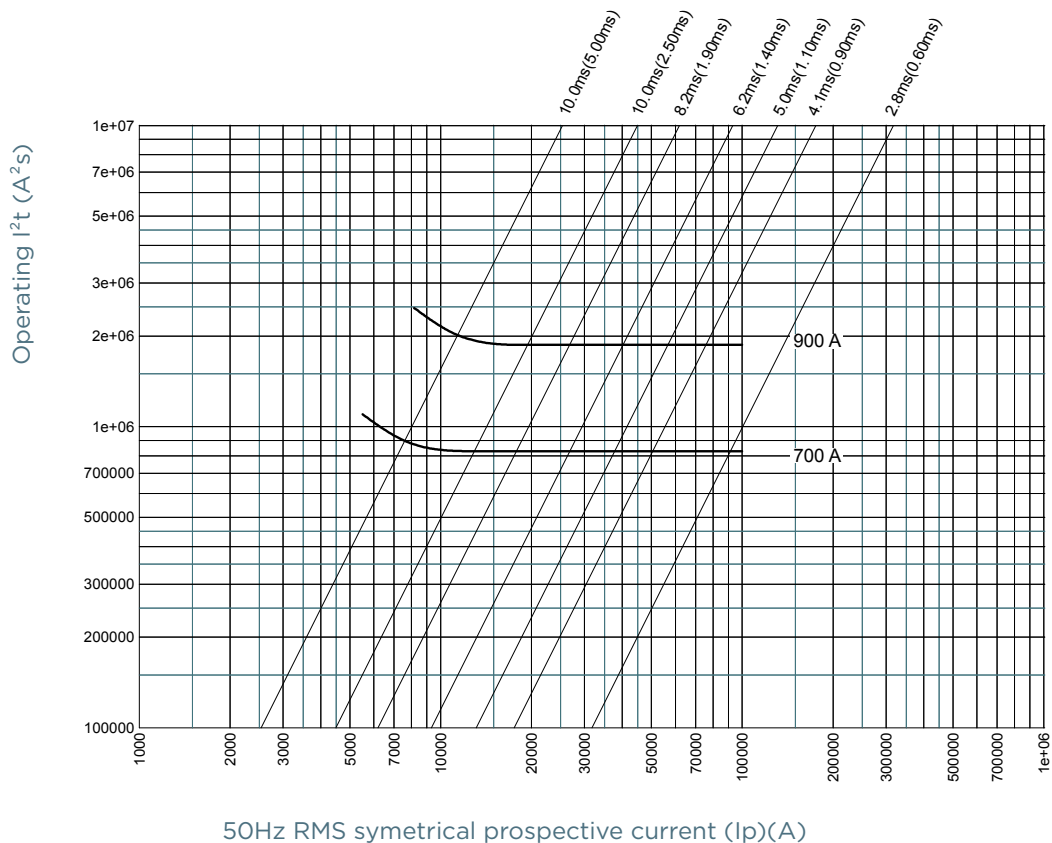


Size 73 aR 1100V



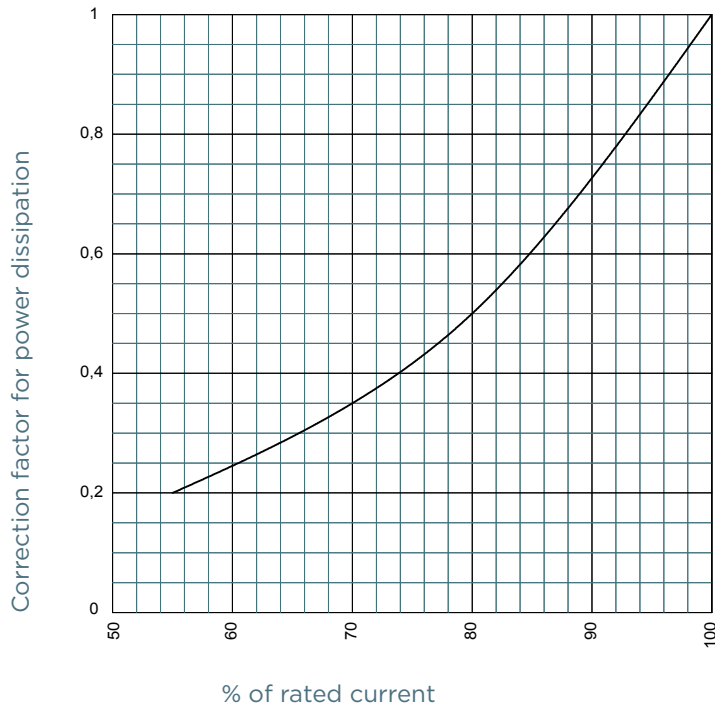
CHARACTERISTICS TOTAL I²T CURVE

Size 73 aR 1200V



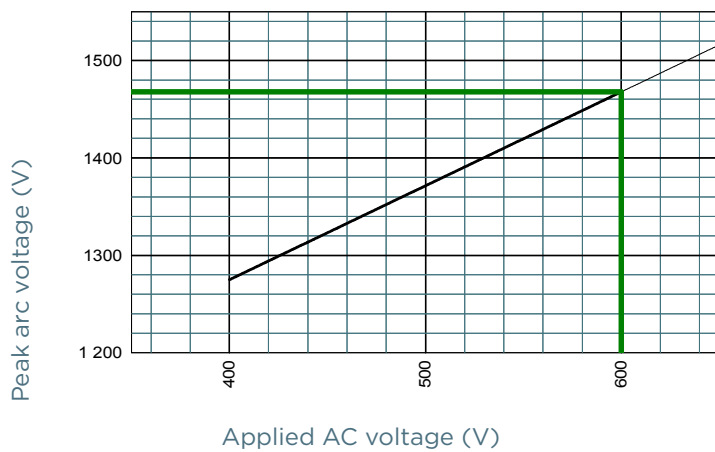
POWER DISSIPATION

Size 73 aR



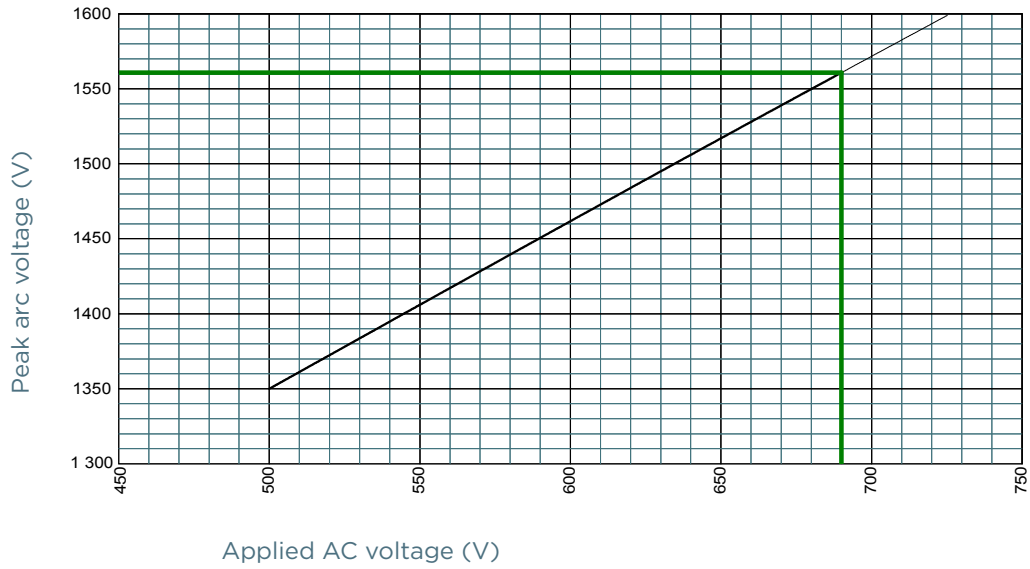
PEAK ARC VOLTAGE

Size 73 aR 600V

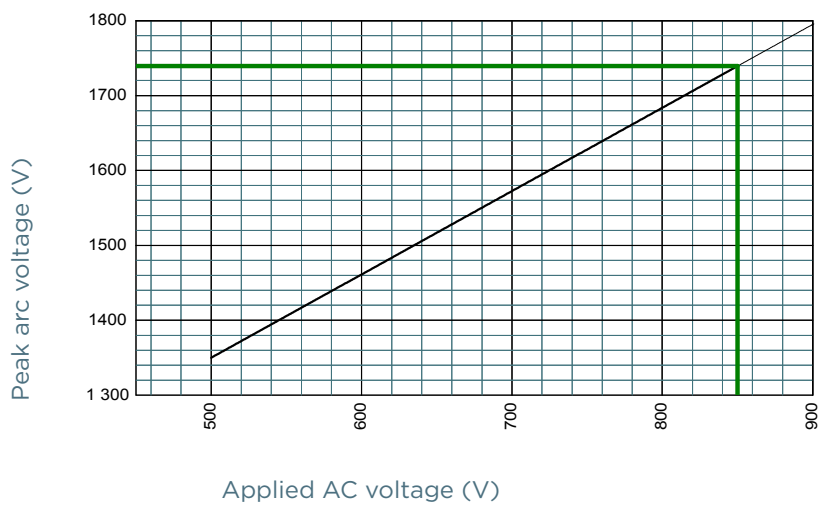


PEAK ARC VOLTAGE

Size 73 aR 690V

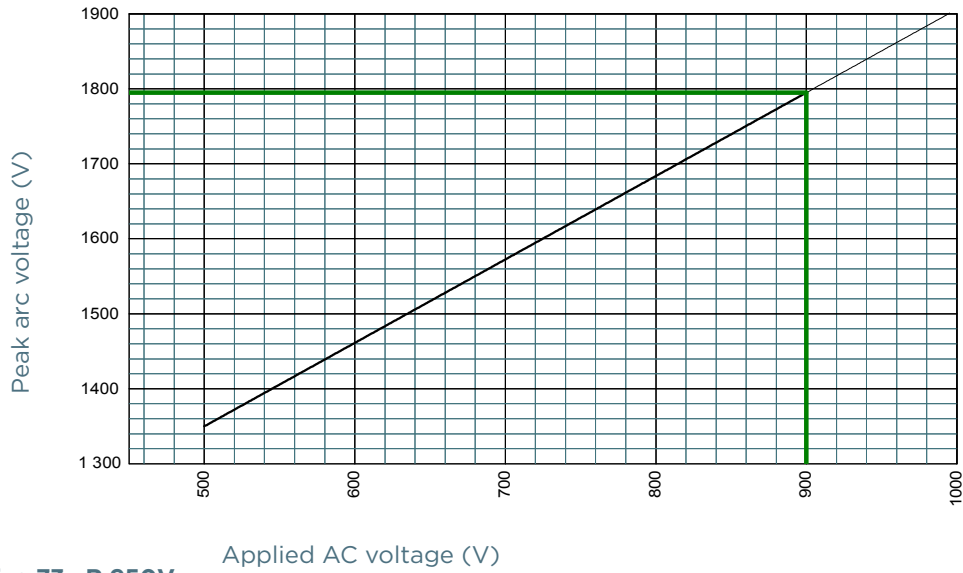


Size 73 aR 850V

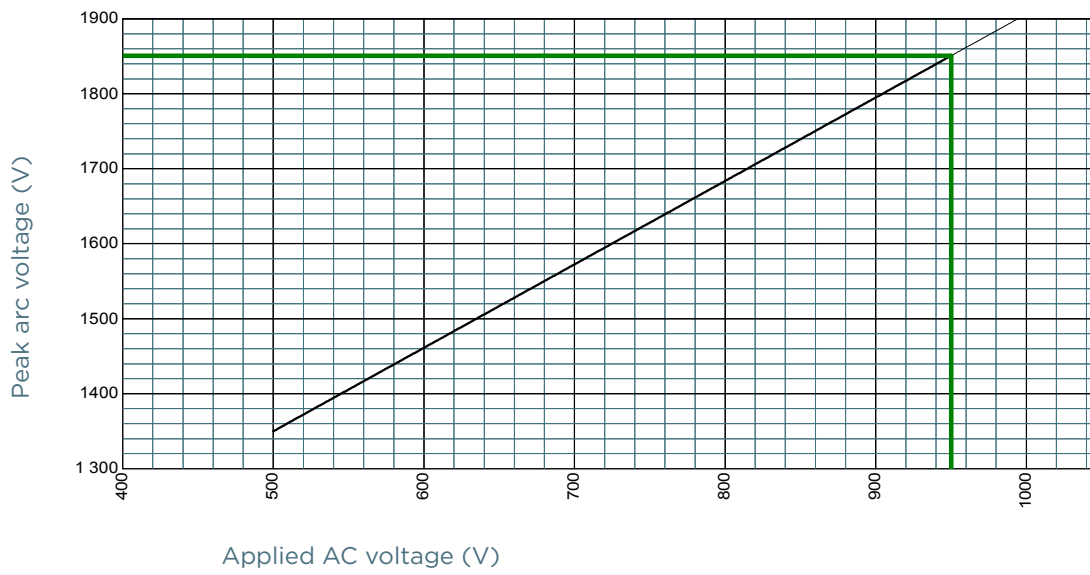


PEAK ARC VOLTAGE

Size 73 aR 900V

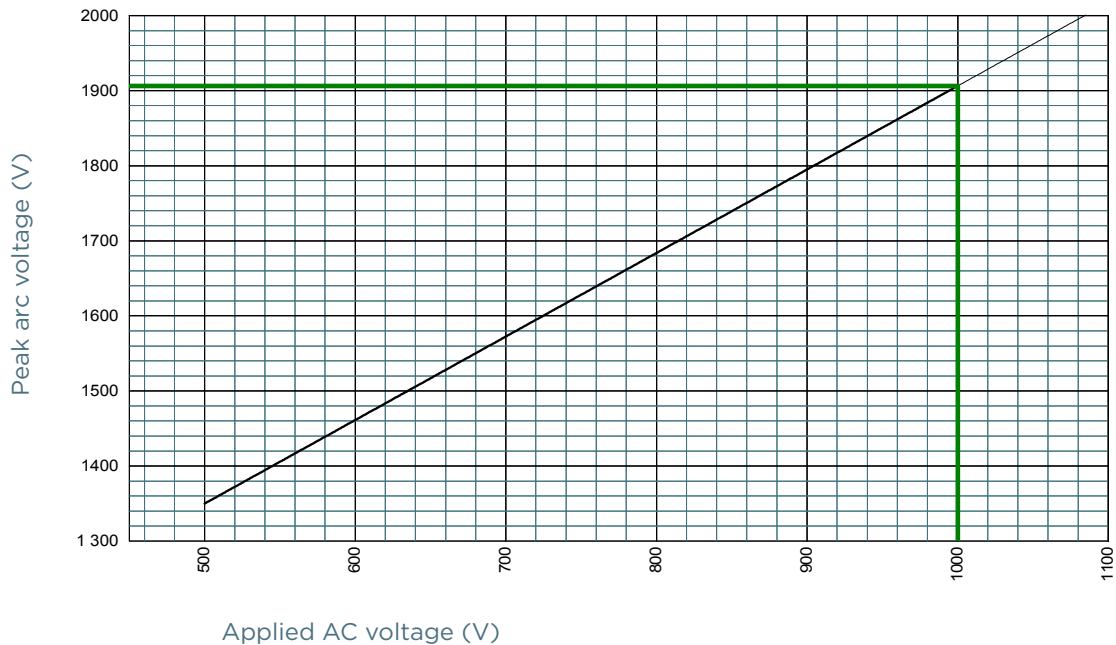


Size 73 aR 950V

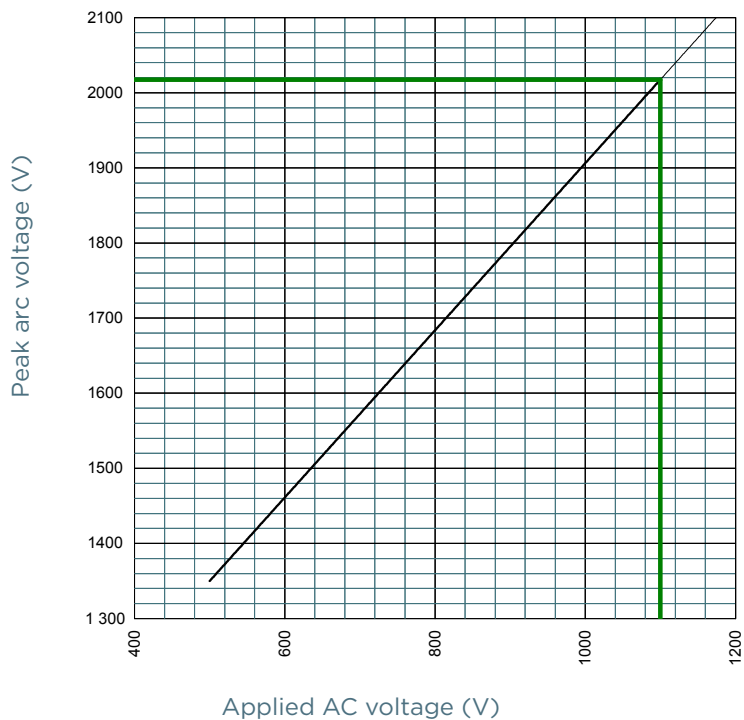


PEAK ARC VOLTAGE

Size 73 aR 1000V

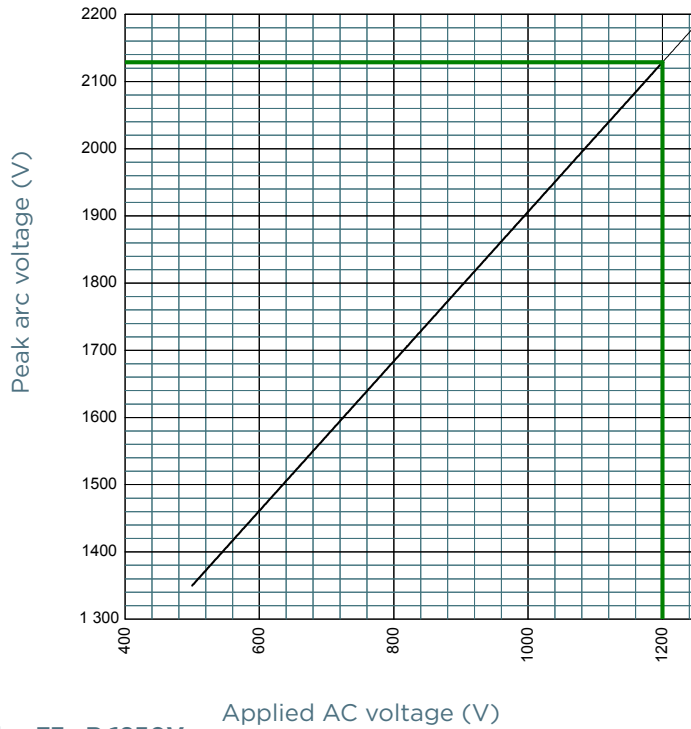


Size 73 aR 1100V

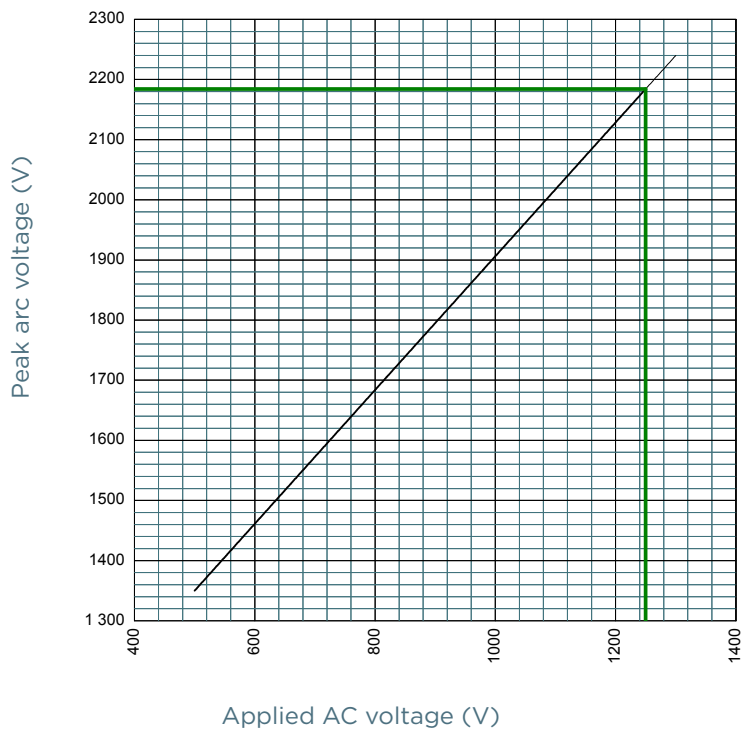


PEAK ARC VOLTAGE

Size 73 aR 1200V



Size 73 aR 1250V

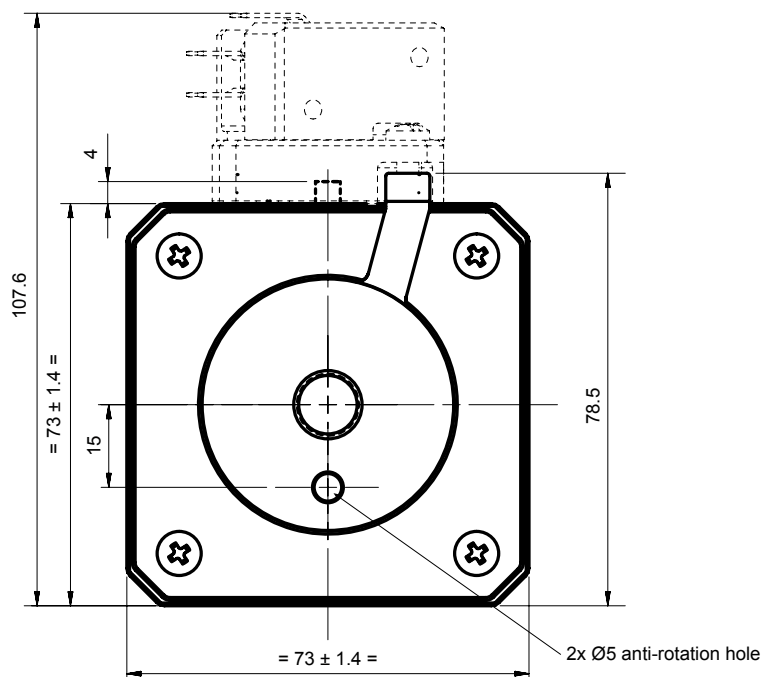
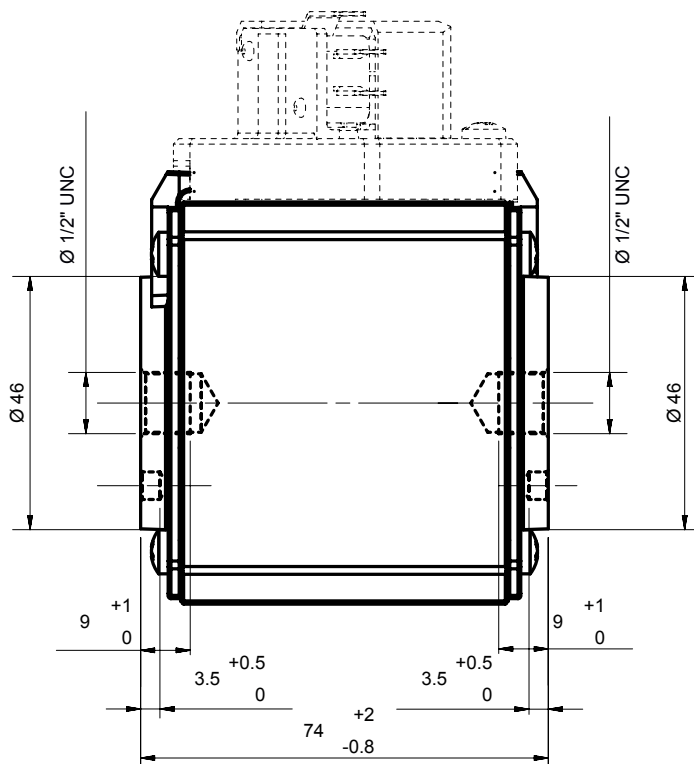


Protistor® size 73 aR

600 to 1250VAC (IEC) / 1300VAC (UL)

DIMENSIONS

size 73 aR type TTI (108460_c)



Dimensions in mm

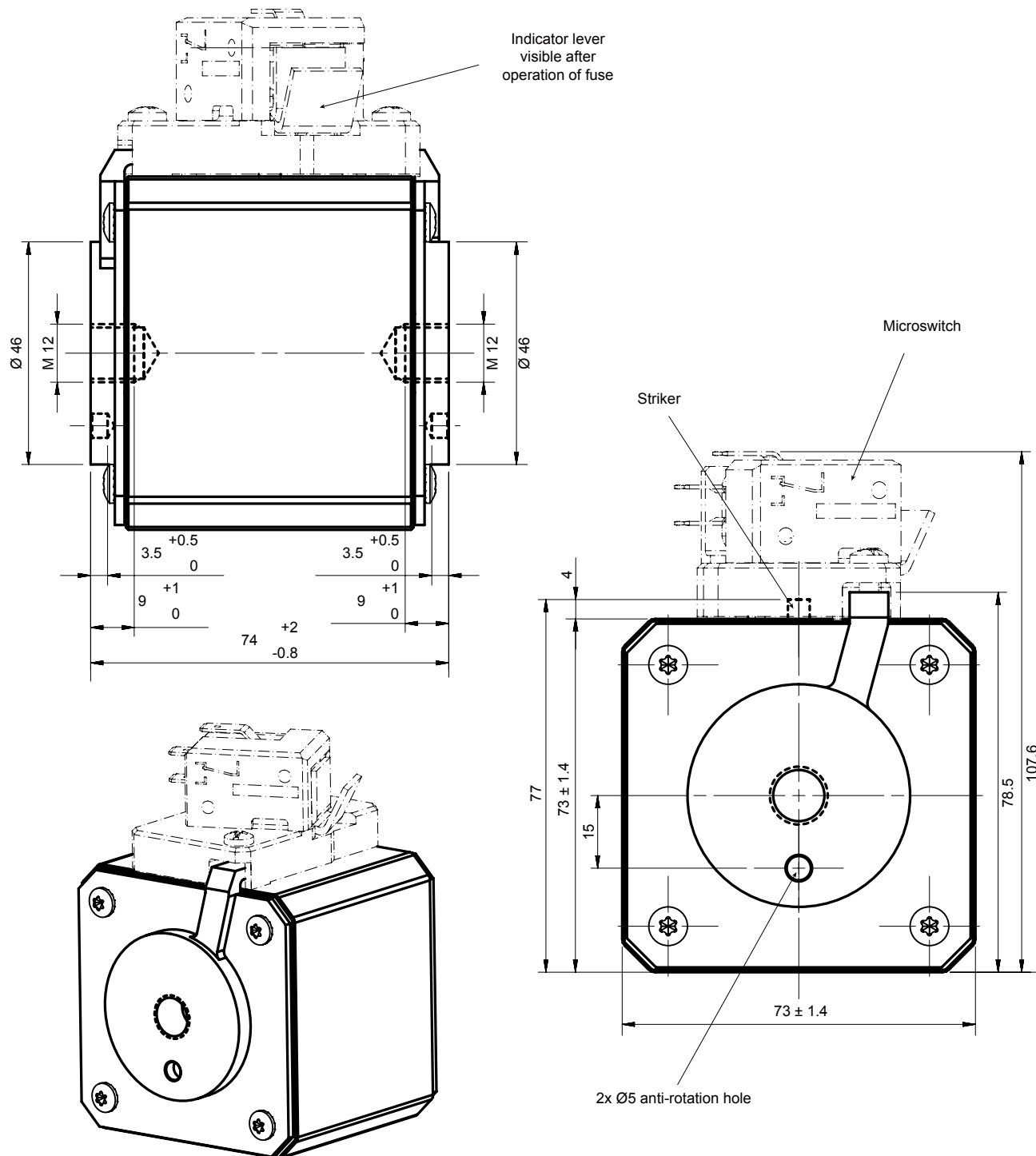
MERSEN reserves the right to change, update or correct, without notice, any information contained in this datasheet.

Protistor® size 73 aR

600 to 1250VAC (IEC) / 1300VAC (UL)

DIMENSIONS

size 73 aR type TTF (105701_B)



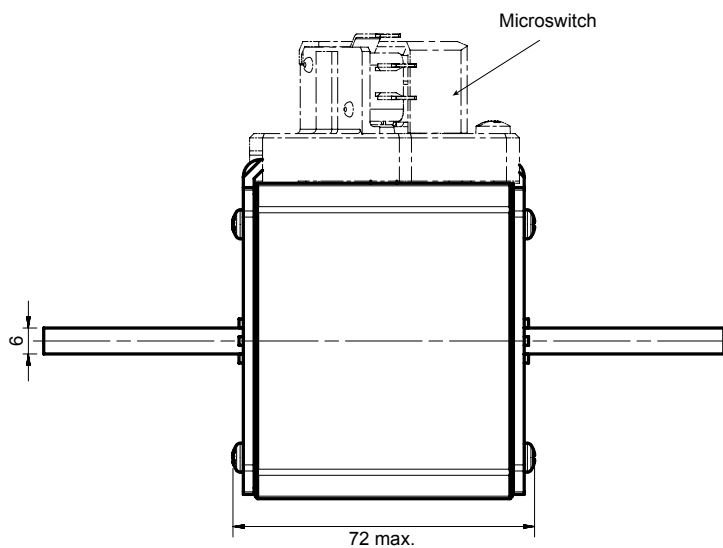
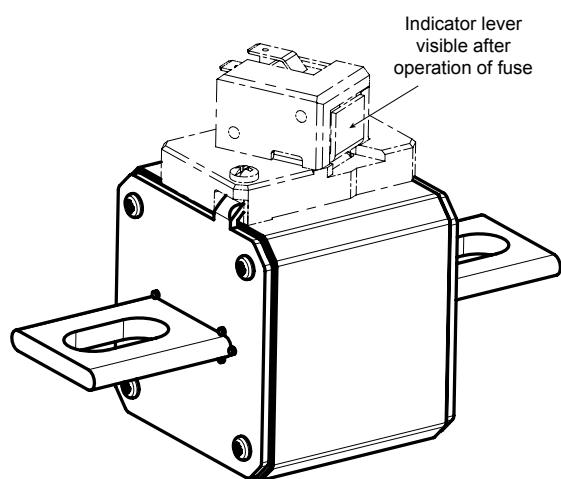
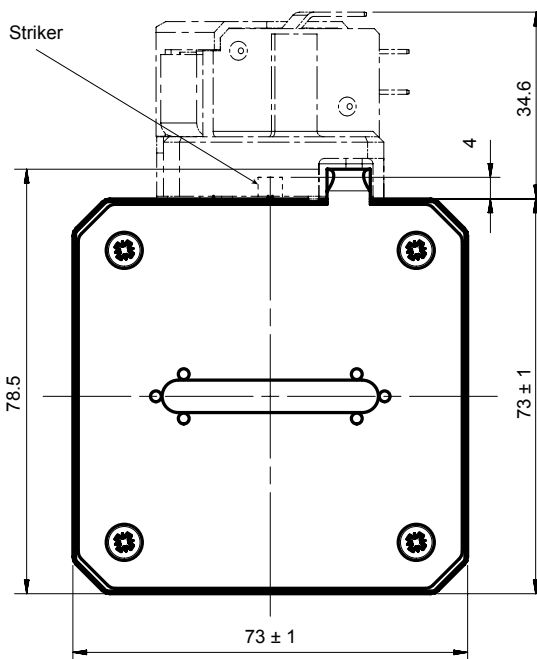
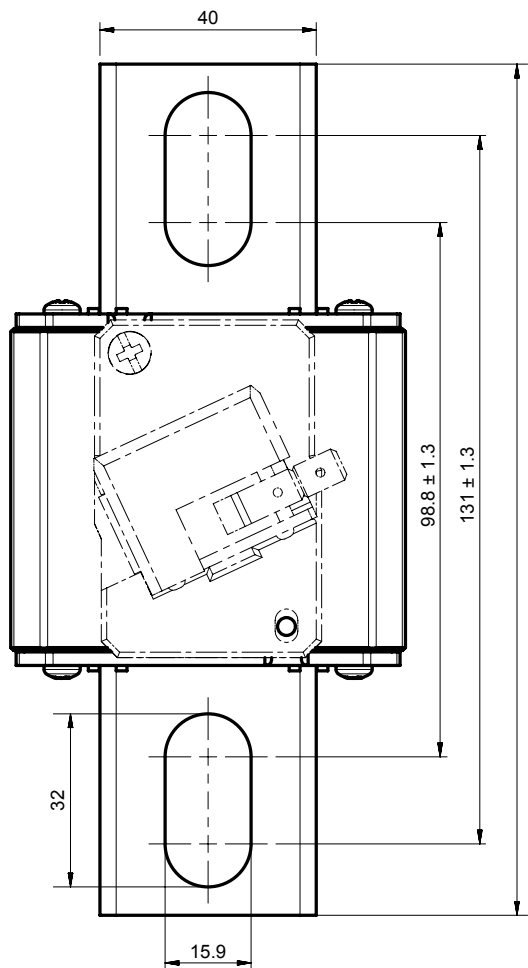
Dimensions in mm

Protistor® size 73 aR

600 to 1250VAC (IEC) / 1300VAC (UL)

DIMENSIONS

size 73 aR type LI (105924)



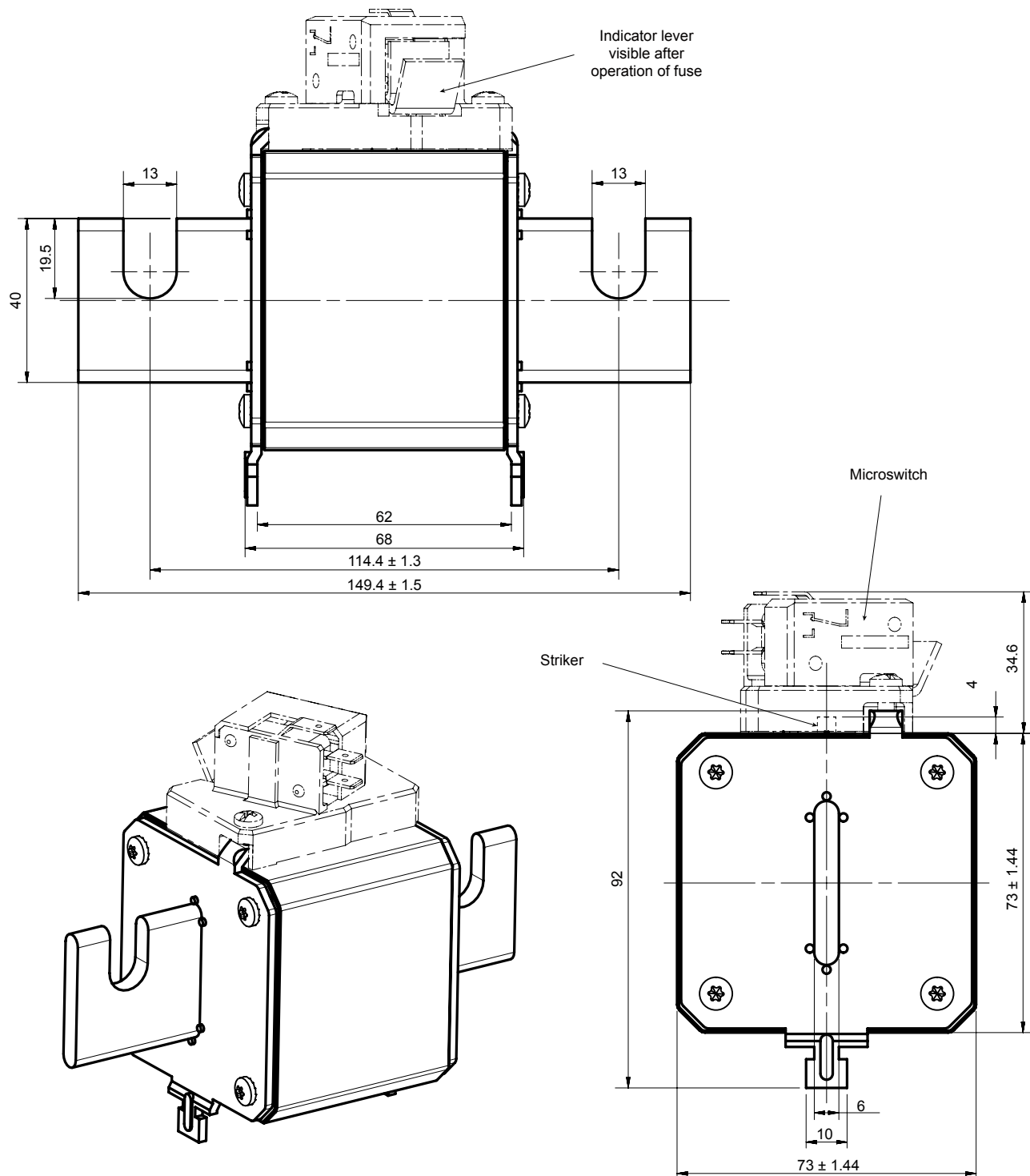
Dimensions in mm

Protistor® size 73 aR

600 to 1250VAC (IEC) / 1300VAC (UL)

DIMENSIONS

size 73 aR type EF (105882)



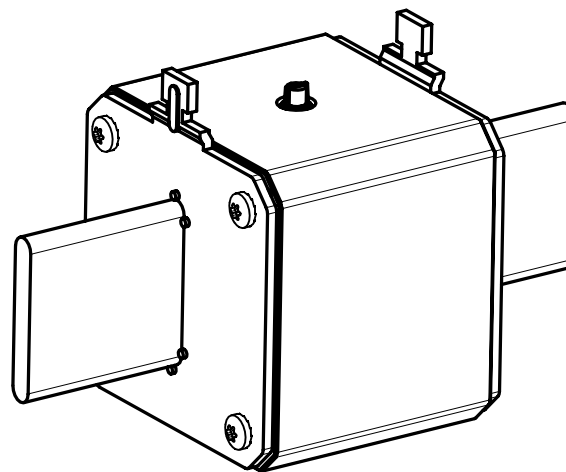
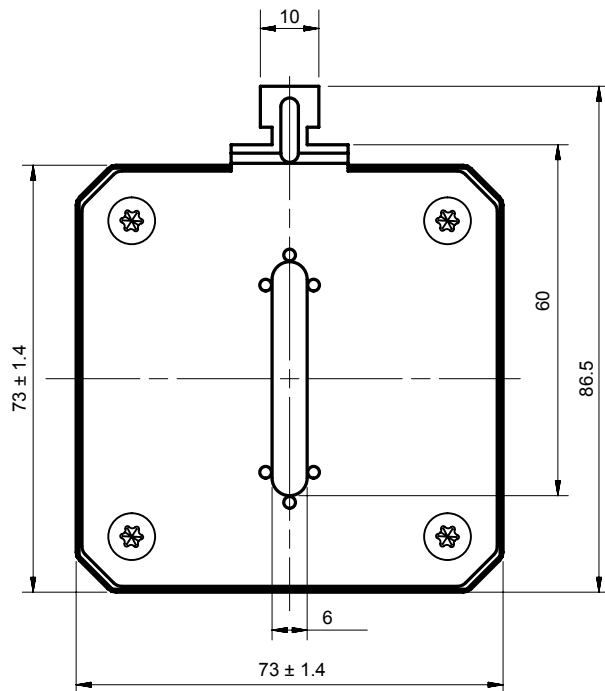
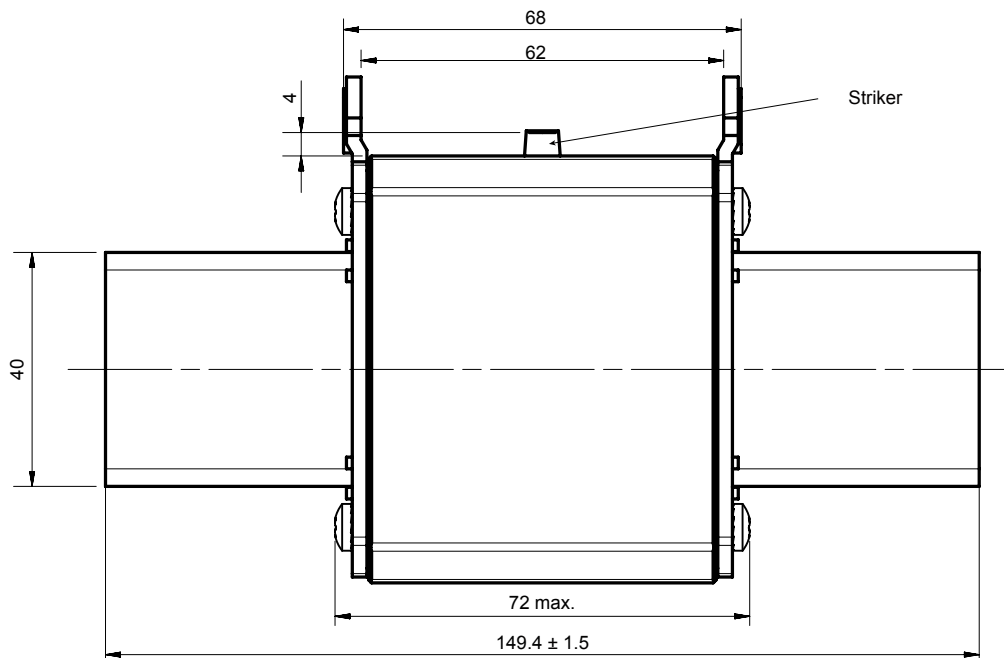
Dimensions in mm

Protistor® size 73 aR

600 to 1250VAC (IEC) / 1300VAC (UL)

DIMENSIONS

size 73 aR type PA (107132_C)



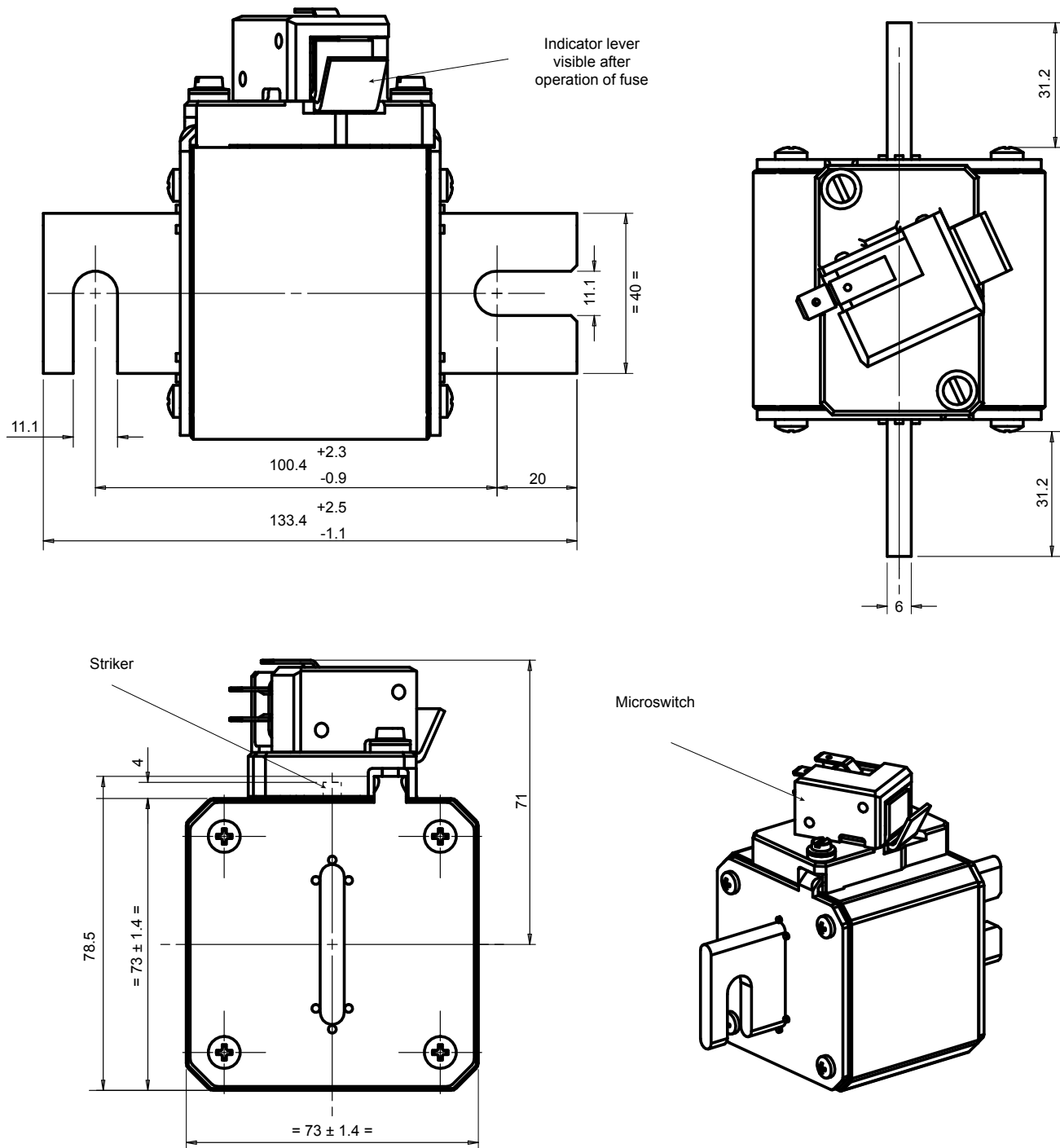
Dimensions in mm

Protistor® size 73 aR

600 to 1250VAC (IEC) / 1300VAC (UL)

DIMENSIONS

size 73 aR type DIN 110 (105714)



Dimensions in mm

Protistor® size 73 aR

600 to 1250VAC (IEC) / 1300VAC (UL)

APPENDIX

Index

Catalog number	Item number	Description 1	Page
A130UD73TTI315	Z301046	A130URD73TTI0315	2
A130UD73TTI350	A301047	A130URD73TTI0350	2
A130UD73TTI400	B301048	A130URD73TTI0400	2
A130UD73TTI450	C301049	A130URD73TTI0450	2
A130UD73TTI500	D301050	A130URD73TTI0500	2
A130UD73TTI550	E301051	A130URD73TTI0550	2
A130UD73TTI630	F301052	A130URD73TTI0630	2
A130UD73TTI700	G301053	A130URD73TTI0700	2
A130UD73TTI800	H301054	A 130 URD 73 TTI 0800	2
A130UD73TTI900	T1013903	A 130 URD 73 TTI 0900	2
A110UD73TTI1000	K301056	A 110 URD 73 TTI 1000	2
A100UD73TTI1100	L301057	A100URD73TTI1100	2
A100UD73TTI1250	M301058	A100URD73TTI1250	2
A090UD73TTI1400	N301059	A 090 URD 73 TTI 1400	2
A070UD73TTI1600	Q300877	A 070 URD 73 TTI 1600	2
A065UD73TTI1800	R300878	A 065 URD 73 TTI 1800	2
PC73UD13C315TF	J300503	12,5 URD 73 TT F 0315	2
PC73UD13C350TF	K300504	12,5 URD 73 TT F 0350	2
PC73UD13C400TF	L300505	12,5 URD 73 TT F 0400	2
PC73UD13C450TF	M300506	12,5 URD 73 TT F 0450	2
PC73UD13C500TF	N300507	12,5 URD 73 TT F 0500	2
PC73UD13C550TF	P300508	12,5 URD 73 TT F 0550	2
PC73UD13C630TF	Q300509	12,5 URD 73 TT F 0630	2
PC73UD13C700TF	R300510	12,5 URD 73 TTF 0700	2
PC73UD13C800TF	S300511	12,5 URD 73 TT F 0800	2
PC73UD12C900TF	T300512	12 URD 73 TT F 0900	2
PC73UD10C1000TF	V300513	10 URD 73 TT F 1000	2
PC73UD95V11CTF	W300514	9,5 URD 73 TT F 1100	2
PC73UD90V13CTF	T300696	9 URD 73 TT F 1250	2
PC73UD85V14CTF	S300718	8,5 URD 73 TT F 1400	2
PC73UD69V16CTF	B301301	6,9 URD 73 TTF 1600	2
PC73UD60V18CTF	C301302	6 URD 73 TTF 1800	2
A130UD73LI315	B300680	A130URD73LI0315	3
A130UD73LI350	C300681	A130URD73LI0350	3
A130UD73LI400	D300682	A130URD73LI0400	3
A130UD73LI450	E300683	A130URD73LI0450	3
A120UD73LI500	F300684	A130URD73LI0500	3
A130UD73LI550	G300685	A130URD73LI0550	3
A130UD73LI630	H300686	A130URD73LI0630	3
A130UD73LI700	J300687	A 130 URD 73 LI 0700	3
A120UD73LI800	K300688	A 120 URD 73 LI 0800	3
A110UD73LI900	L300689	A110URD73LI0900	3
A100UD73LI1000	M300690	A 100 URD 73 LI 1000	3
A100UD73LI1100	N300691	A 100 URD 73 LI 1100	3
A100UD73LI1250	J301193	A 100 URD 73 LI 1250	3
A90UD73LI1400	K301194	A 090 URD 73 LI 1400	3
PC73UD13C450PA	X302976	12,5 URD 73 PA 0450	3
PC73UD13C500PA	S302719	12,5 URD 73 PA 0500	3
PC73UD13C550PA	Y302977	12,5 URD 73 PA 0550	3
PC73UD13C630PA	D300843	12,5 URD 73 PA 0630	3
PC73UD12C700PA	B301784	12 URD 73 PA 0700	3
PC73UD11C800PA	Z301966	11 URD 73 PA 0800	3
PC73UD10C900PA	F302685	10 URD 73 PA 0900	3
PC73UD90V10CPA	R302718	PC73UD90V10CPA	3
PC73UD90V11CPA	Q302717	9 URD 73 PA 1100	3

MERSEN reserves the right to change, update or correct, without notice, any information contained in this datasheet.

Protistor® size 73 aR

600 to 1250VAC (IEC) / 1300VAC (UL)

APPENDIX

Index

Catalog number	Item number	Description 1	Page
PC73UD85V14CPA	G302686	PC73UD85V14CPA	3
A090UD73PA1400	G302709	A 090 URD 73 PA 1400	3
PC73UD13C315EF	V300628	12,5 URD 73 EF 0315	3
PC73UD13C350EF	W300629	12,5 URD 73 EF 0350	3
PC73UD13C400EF	X300630	12,5 URD 73 EF 0400	3
PC73UD13C450EF	Y300631	12,5 URD 73 EF 0450	3
PC73UD13C500EF	Z300632	12,5 URD 73 EF 0500	3
PC73UD13C550EF	A300633	12,5 URD 73 EF 0550	3
PC73UD13C630EF	B300634	12,5 URD 73 EF 0630	3
PC73UD12C700EF	C300635	12 URD 73 EF 0700	3
PC73UD11C800EF	D300636	11 URD 73 EF 0800	3
PC73UD10C900EF	E300637	10 URD 73 EF 0900	3
PC73UD90V10CEF	F300638	9 URD 73 EF 1000	3
PC73UD90V11CEF	G300639	9 URD 73 EF 1100	3
PC73UD13C315D1A	A300564	12.5URD73D11A0315	4
PC73UD13C350D1A	B300565	12,5 URD 73 D11 A 0350	4
PC73UD13C400D1A	C300566	12,5 URD 73 D11 A 0400	4
PC73UD13C450D1A	D300567	12,5 URD 73 D11 A 0450	4
PC73UD13C500D1A	E300568	12,5 URD 73 D11 A 0500	4
PC73UD13C550D1A	F300569	12,5 URD 73 D11 A 0550	4
PC73UD13C630D1A	G300570	12,5 URD 73 D11 A 0630	4
PC73UD12C700D1A	H300571	12 URD 73 D11 A 0700	4
PC73UD11C800D1A	J300572	11 URD 73 D11 A 0800	4
PC73UD10C900D1A	K300573	10 URD 73 D11 A 0900	4
PC73UD90V11CD1A	M300575	9 URD 73 D11 A 1100	4
PC73UD90V10CD1A	L300574	9 URD 73 D11 A 1000	4

MERSEN reserves the right to change, update or correct, without notice, any information contained in this datasheet.