

Protistor® size 70 aR

1100 to 1250VAC (IEC) / 1300VAC (UL)

SEMICONDUCTOR PROTECTION FUSES

SQUARE BODY HIGH-SPEED FUSE-LINKS AC PROTECTION



The 1250/1300V Protistor® fuse-links provide maximum flexibility in equipment design and ultimate protection for today's power conversion equipment. These aR ultra-fast acting square body fuse-links are available in different body sizes, each size having multiple worldwide acceptable mounting styles.

The Protistor® have been engineered to provide state-of-the-art protection for semiconductors: diodes, thyristors, GTO's and IGBT devices. Fuses are assembled with pure silver, die-cut elements embedded in solidified sand, which helps control arcing characteristics for a lower I^2t and high interrupting rating level. All contact surfaces are silver plated and all hardware is non-magnetic.

All fuse-links can be equipped with a low voltage trip-indicator which can operate a field mountable microswitch.

TECHNICAL DATA OVERVIEW

| | |
|----------------------|-------------------|
| Voltage Range AC | 1100 ... 1250 VAC |
| Ampere Range (A) | 50 ... 500 A |
| Speed/Characteristic | aR |
| I.R. AC (IEC) | 100 kA |
| Product Size | 70 |

FEATURES & BENEFITS

- Multiple body sizes and terminals or blades combination
- aR Class according to VDE 636-23 and IEC 60269-4
- Very low I^2t for improved semiconductor protection
- Ultra fast acting
- Current limiting
- Superior cycling capability
- Increased technical performances: higher ratings and reduction in volume and weight

APPLICATIONS

- Protection of inverters, motor drives, UPS systems and similar 690V or less equipments.

STANDARDS

- IEC 60269-4 Compliance
- UL/CSA Recognized E76491
- CCC GB 13539.4



Protistor® size 70 aR

1100 to 1250VAC (IEC) / 1300VAC (UL)

PRODUCT RANGE

Size 70 type TTI 5/16"-18 unified coarse threaded terminals

| Catalog number | Item number | Rated voltage AC (IEC) | Rated voltage AC (UL) | Rated current I _n | Pre-arcing I ² t | Clearing I ² t at Rated Voltage | Rated breaking capacity AC | Power dissipation at I _n | Package | Weight |
|----------------|-------------|------------------------|-----------------------|------------------------------|-----------------------------|--|----------------------------|-------------------------------------|---------|---------|
| A130UD70TTI63 | Q301015 | 1250 V | 1300 V | 63 A | 210 A ² s | 1680 A ² s | 100 kA | 26 W | 3 | 0.35 kg |
| A130UD70TTI80 | R301016 | 1250 V | 1300 V | 80 A | 470 A ² s | 3780 A ² s | 100 kA | 27 W | 3 | 0.35 kg |
| A130UD70TTI100 | S301017 | 1250 V | 1300 V | 100 A | 830 A ² s | 6750 A ² s | 100 kA | 30 W | 3 | 0.35 kg |
| A130UD70TTI125 | T301018 | 1250 V | 1300 V | 125 A | 1310 A ² s | 10500 A ² s | 100 kA | 38 W | 3 | 0.35 kg |
| A130UD70TTI160 | V301019 | 1250 V | 1300 V | 160 A | 2570 A ² s | 21000 A ² s | 100 kA | 45 W | 3 | 0.35 kg |
| A130UD70TTI200 | W301020 | 1250 V | 1300 V | 200 A | 4730 A ² s | 38000 A ² s | 100 kA | 54 W | 3 | 0.35 kg |
| A130UD70TTI250 | X301021 | 1250 V | 1300 V | 250 A | 9580 A ² s | 77000 A ² s | 100 kA | 58 W | 3 | 0.35 kg |
| A130UD70TTI280 | Y301022 | 1200 V | 1300 V | 280 A | 14200 A ² s | 106000 A ² s | 100 kA | 61 W | 3 | 0.35 kg |
| A130UD70TTI315 | Z301023 | 1200 V | 1300 V | 315 A | 20000 A ² s | 149000 A ² s | 100 kA | 66 W | 3 | 0.35 kg |
| A120UD70TTI350 | A301024 | 1100 V | 1200 V | 350 A | 27800 A ² s | 180000 A ² s | 100 kA | 68 W | 3 | 0.35 kg |



PC70UD13C200TF

Size 70 type TTF M8 threaded terminals

| Catalog number | Item number | Rated voltage AC (IEC) | Rated voltage AC (UL) | Rated current I _n | Pre-arcing I ² t | Clearing I ² t at Rated Voltage | Rated breaking capacity AC | Power dissipation at I _n | Package | Weight |
|----------------|-------------|------------------------|-----------------------|------------------------------|-----------------------------|--|----------------------------|-------------------------------------|---------|---------|
| PC70UD13C50TF | C301095 | 1250 V | 1300 V | 50 A | 120 A ² s | 980 A ² s | 100 kA | 16 W | 3 | 0.34 kg |
| PC70UD13C63TF | M300483 | 1250 V | 1300 V | 63 A | 210 A ² s | 1680 A ² s | 100 kA | 26 W | 3 | 0.34 kg |
| PC70UD13C80TF | N300484 | 1250 V | 1300 V | 80 A | 470 A ² s | 3780 A ² s | 100 kA | 27 W | 3 | 0.34 kg |
| PC70UD13C100TF | P300485 | 1250 V | 1300 V | 100 A | 830 A ² s | 6750 A ² s | 100 kA | 30 W | 3 | 0.34 kg |
| PC70UD13C125TF | Q300486 | 1250 V | 1300 V | 125 A | 1310 A ² s | 10500 A ² s | 100 kA | 38 W | 3 | 0.34 kg |
| PC70UD13C160TF | R300487 | 1250 V | 1300 V | 160 A | 2570 A ² s | 21000 A ² s | 100 kA | 45 W | 3 | 0.34 kg |
| PC70UD13C200TF | S300488 | 1250 V | 1300 V | 200 A | 4730 A ² s | 38000 A ² s | 100 kA | 54 W | 3 | 0.34 kg |
| PC70UD13C250TF | T300489 | 1250 V | 1300 V | 250 A | 9580 A ² s | 77000 A ² s | 100 kA | 58 W | 3 | 0.34 kg |
| PC70UD12C280TF | N300714 | 1200 V | 1300 V | 280 A | 14200 A ² s | 106000 A ² s | 100 kA | 61 W | 3 | 0.34 kg |
| PC70UD12C315TF | V300490 | 1200 V | 1300 V | 315 A | 20000 A ² s | 149000 A ² s | 100 kA | 66 W | 3 | 0.34 kg |
| PC70UD11C350TF | W300491 | 1100 V | 1200 V | 350 A | 27800 A ² s | 180000 A ² s | 100 kA | 68 W | 3 | 0.34 kg |
| PC70UD11C400TF | E300867 | 1100 V | 1200 V | 400 A | 38700 A ² s | 254000 A ² s | 100 kA | 81 W | 3 | 0.34 kg |
| PC70UD11C450TF | H301284 | 1100 V | 1200 V | 450 A | 61700 A ² s | 405000 A ² s | 100 kA | 82 W | 3 | 0.34 kg |
| PC70UD10C500TF | J301285 | 1000 V | 1100 V | 500 A | 84000 A ² s | 483000 A ² s | 100 kA | 83 W | 3 | 0.34 kg |

Size 70 type long slotted blades

| Catalog number | Item number | Rated voltage AC (IEC) | Rated voltage AC (UL) | Rated current I _n | Pre-arcing I ² t | Clearing I ² t at Rated Voltage | Rated breaking capacity AC | Power dissipation at I _n | Package | Weight |
|----------------|-------------|------------------------|-----------------------|------------------------------|-----------------------------|--|----------------------------|-------------------------------------|---------|---------|
| A130UD70LI063 | W300652 | 1250 V | 1300 V | 63 A | 210 A ² s | 1680 A ² s | 100 kA | 26 W | 3 | 0.38 kg |
| A130UD70LI080 | X300653 | 1250 V | 1300 V | 80 A | 470 A ² s | 3780 A ² s | 100 kA | 27 W | 3 | 0.38 kg |
| A130UD70LI100 | Y300654 | 1250 V | 1300 V | 100 A | 830 A ² s | 6750 A ² s | 100 kA | 30 W | 3 | 0.38 kg |
| A130UD70LI125 | Z300655 | 1250 V | 1300 V | 125 A | 1310 A ² s | 10500 A ² s | 100 kA | 38 W | 3 | 0.38 kg |
| A130UD70LI160 | A300656 | 1250 V | 1300 V | 160 A | 2570 A ² s | 21000 A ² s | 100 kA | 45 W | 3 | 0.38 kg |
| A130UD70LI200 | B300657 | 1250 V | 1300 V | 200 A | 4730 A ² s | 38000 A ² s | 100 kA | 56 W | 3 | 0.38 kg |
| A130UD70LI250 | C300658 | 1250 V | 1300 V | 250 A | 9580 A ² s | 77000 A ² s | 100 kA | 61 W | 3 | 0.33 kg |
| A130UD70LI280 | Q300716 | 1200 V | 1300 V | 280 A | 14200 A ² s | 106000 A ² s | 100 kA | 64 W | 3 | 0.38 kg |
| A130UD70LI315 | D300659 | 1200 V | 1300 V | 315 A | 20000 A ² s | 149000 A ² s | 100 kA | 72 W | 3 | 0.38 kg |
| A120UD70LI350 | E300660 | 1100 V | 1200 V | 350 A | 27800 A ² s | 180000 A ² s | 100 kA | 75 W | 3 | 0.38 kg |

MERSEN reserves the right to change, update or correct, without notice, any information contained in this datasheet.

Protistor® size 70 aR

1100 to 1250VAC (IEC) / 1300VAC (UL)

PRODUCT RANGE

Size 70 type NH style blade contacts

| Catalog number | Item number | Rated voltage AC (IEC) | Rated voltage AC (UL) | Rated current I _n | Pre-arcing I ² t | Clearing I ² t at Rated Voltage | Rated breaking capacity AC | Power dissipation at I _n | Package | Weight |
|----------------|-------------|------------------------|-----------------------|------------------------------|-----------------------------|--|----------------------------|-------------------------------------|---------|---------|
| PC70UD13C50PA | J301423 | 1250 V | 1300 V | 50 A | 120 A ² s | 980 A ² s | 100 kA | 16 W | 3 | 0.36 kg |
| PC70UD13C63PA | A301185 | 1250 V | 1300 V | 63 A | 210 A ² s | 1680 A ² s | 100 kA | 26 W | 3 | 0.36 kg |
| PC70UD13C80PA | M301242 | 1250 V | 1300 V | 80 A | 470 A ² s | 3780 A ² s | 100 kA | 27 W | 3 | 0.36 kg |
| PC70UD13C100PA | J301124 | 1250 V | 1300 V | 100 A | 830 A ² s | 6750 A ² s | 100 kA | 30 W | 3 | 0.36 kg |
| PC70UD13C125PA | K301125 | 1250 V | 1300 V | 125 A | 1310 A ² s | 10500 A ² s | 100 kA | 38 W | 3 | 0.36 kg |
| PC70UD13C160PA | D301188 | 1250 V | 1300 V | 160 A | 2570 A ² s | 21000 A ² s | 100 kA | 45 W | 3 | 0.36 kg |
| PC70UD13C200PA | Z300839 | 1250 V | 1300 V | 200 A | 4730 A ² s | 38000 A ² s | 100 kA | 56 W | 3 | 0.36 kg |

Size 70 for bolted connections

| Catalog number | Item number | Rated voltage AC (IEC) | Rated voltage AC (UL) | Rated current I _n | Pre-arcing I ² t | Clearing I ² t at Rated Voltage | Rated breaking capacity AC | Power dissipation at I _n | Package | Weight |
|----------------|-------------|------------------------|-----------------------|------------------------------|-----------------------------|--|----------------------------|-------------------------------------|---------|---------|
| PC70UD13C63EF | P300600 | 1250 V | 1300 V | 63 A | 210 A ² s | 1680 A ² s | 100 kA | 26 W | 3 | 0.36 kg |
| PC70UD13C80EF | Q300601 | 1250 V | 1300 V | 80 A | 470 A ² s | 3780 A ² s | 100 kA | 27 W | 3 | 0.36 kg |
| PC70UD13C100EF | R300602 | 1250 V | 1300 V | 100 A | 830 A ² s | 6750 A ² s | 100 kA | 30 W | 3 | 0.36 kg |
| PC70UD13C125EF | S300603 | 1250 V | 1300 V | 125 A | 1310 A ² s | 10500 A ² s | 100 kA | 38 W | 3 | 0.36 kg |
| PC70UD13C160EF | T300604 | 1250 V | 1300 V | 160 A | 2570 A ² s | 21000 A ² s | 100 kA | 45 W | 3 | 0.36 kg |
| PC70UD13C200EF | V300605 | 1250 V | 1300 V | 200 A | 4730 A ² s | 38000 A ² s | 100 kA | 56 W | 3 | 0.36 kg |
| PC70UD13C250EF | W300606 | 1250 V | 1300 V | 250 A | 9580 A ² s | 77000 A ² s | 100 kA | 61 W | 3 | 0.36 kg |
| PC70UD12C280EF | L300712 | 1200 V | 1300 V | 280 A | 14200 A ² s | 106000 A ² s | 100 kA | 64 W | 3 | 0.36 kg |
| PC70UD12C315EF | X300607 | 1200 V | 1300 V | 315 A | 20000 A ² s | 149000 A ² s | 100 kA | 72 W | 3 | 0.36 kg |
| PC70UD11C350EF | Y300608 | 1100 V | 1200 V | 350 A | 27800 A ² s | 180000 A ² s | 100 kA | 75 W | 3 | 0.36 kg |

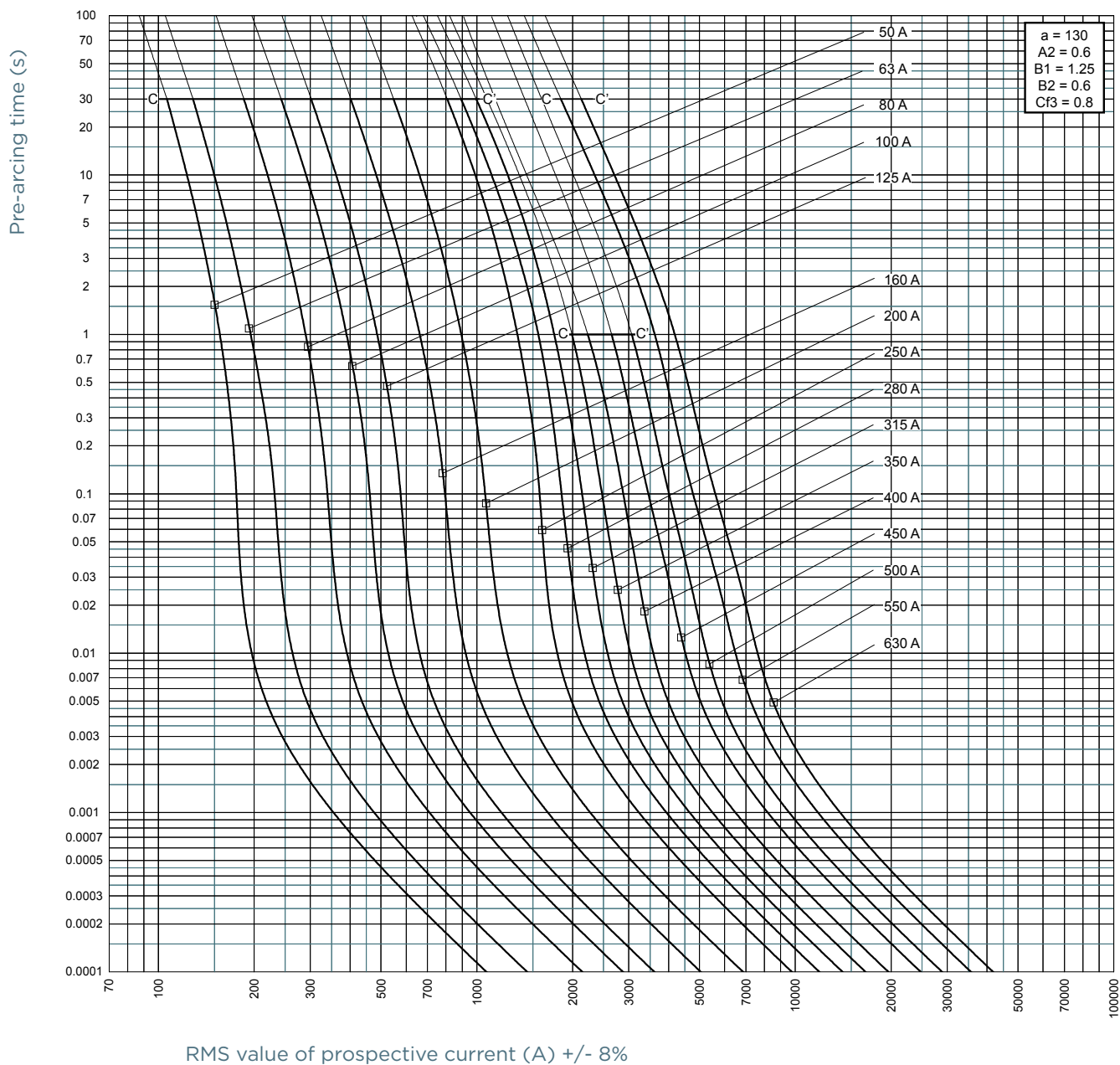


PC70UD13C200D1A

Size 70 type DIN110

| Catalog number | Item number | Rated voltage AC (IEC) | Rated voltage AC (UL) | Rated current I _n | Pre-arcing I ² t | Clearing I ² t at Rated Voltage | Rated breaking capacity AC | Power dissipation at I _n | Package | Weight |
|-----------------|-------------|------------------------|-----------------------|------------------------------|-----------------------------|--|----------------------------|-------------------------------------|---------|---------|
| PC70UD13C63D1A | V300536 | 1250 V | 1300 V | 63 A | 210 A ² s | 1680 A ² s | 100 kA | 26 W | 3 | 0.36 kg |
| PC70UD13C80D1A | W300537 | 1250 V | 1300 V | 80 A | 470 A ² s | 3780 A ² s | 100 kA | 27 W | 3 | 0.36 kg |
| PC70UD13C100D1A | X300538 | 1250 V | 1300 V | 100 A | 830 A ² s | 6750 A ² s | 100 kA | 30 W | 3 | 0.36 kg |
| PC70UD13C125D1A | Y300539 | 1250 V | 1300 V | 125 A | 1310 A ² s | 10500 A ² s | 100 kA | 38 W | 3 | 0.36 kg |
| PC70UD13C160D1A | Z300540 | 1250 V | 1300 V | 160 A | 2570 A ² s | 21000 A ² s | 100 kA | 45 W | 3 | 0.36 kg |
| PC70UD13C200D1A | A300541 | 1250 V | 1300 V | 200 A | 4730 A ² s | 38000 A ² s | 100 kA | 56 W | 3 | 0.36 kg |
| PC70UD13C250D1A | B300542 | 1250 V | 1300 V | 250 A | 9580 A ² s | 77000 A ² s | 100 kA | 61 W | 3 | 0.36 kg |
| PC70UD12C280D1A | J300710 | 1200 V | 1300 V | 280 A | 14200 A ² s | 106000 A ² s | 100 kA | 64 W | 3 | 0.36 kg |
| PC70UD12C315D1A | C300543 | 1200 V | 1300 V | 315 A | 20000 A ² s | 149000 A ² s | 100 kA | 72 W | 3 | 0.36 kg |
| PC70UD11C350D1A | D300544 | 1100 V | 1200 V | 350 A | 27800 A ² s | 180000 A ² s | 100 kA | 75 W | 3 | 0.36 kg |

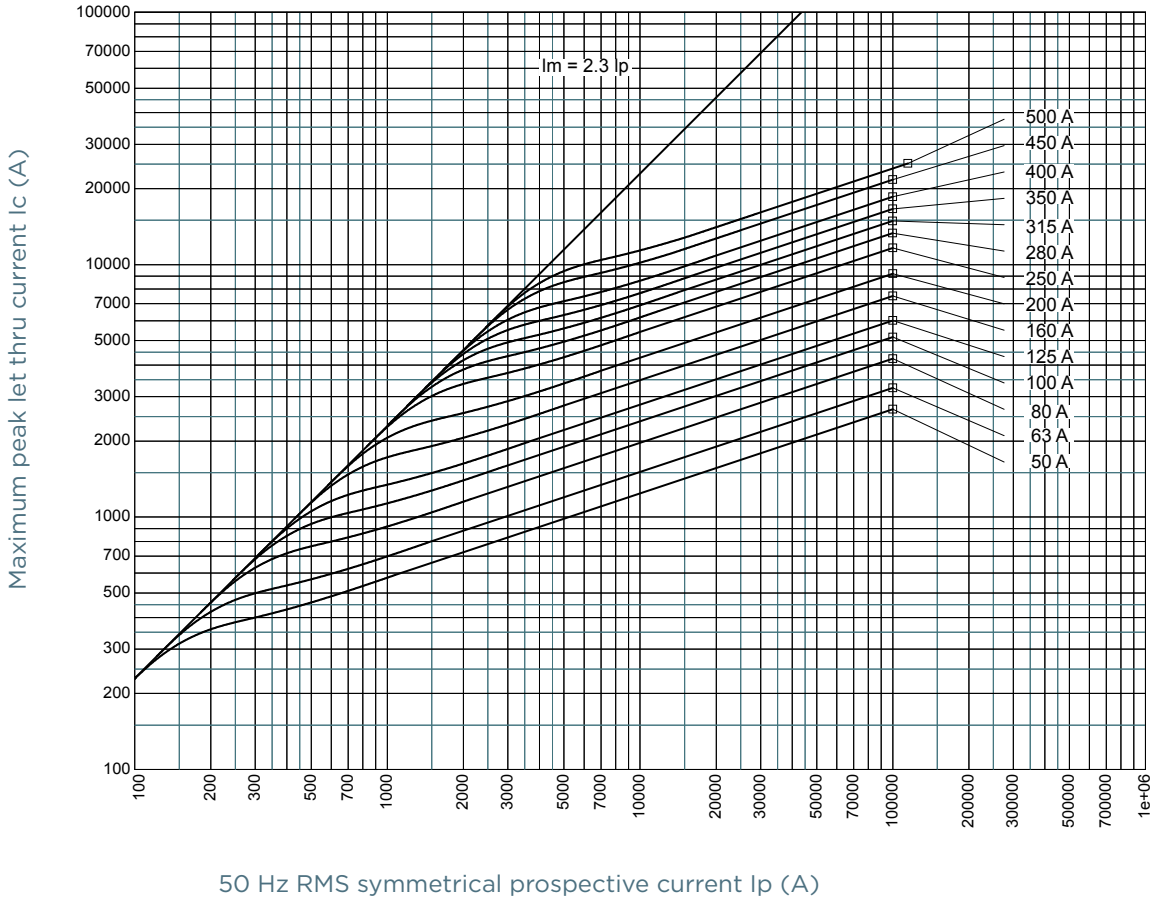
TIME CURRENT CHARACTERISTIC CURVES



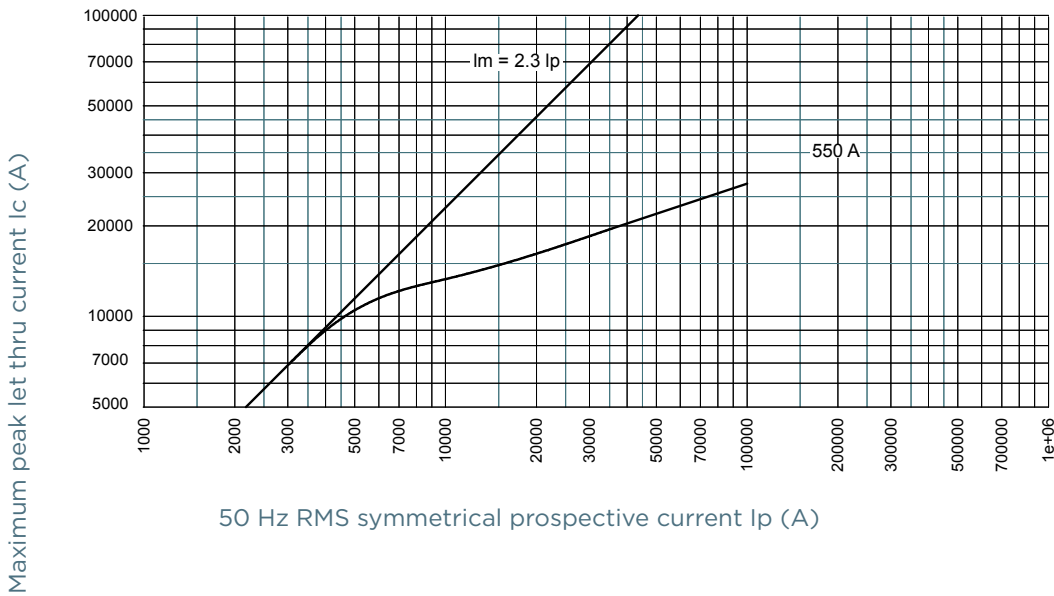
MERSEN reserves the right to change, update or correct, without notice, any information contained in this datasheet.

CUT-OFF CURRENT CHARACTERISTIC

Size 70 1250V 500A...250A, 1200V 280A...315A, 1100V 350A...450A, 1000V 500A



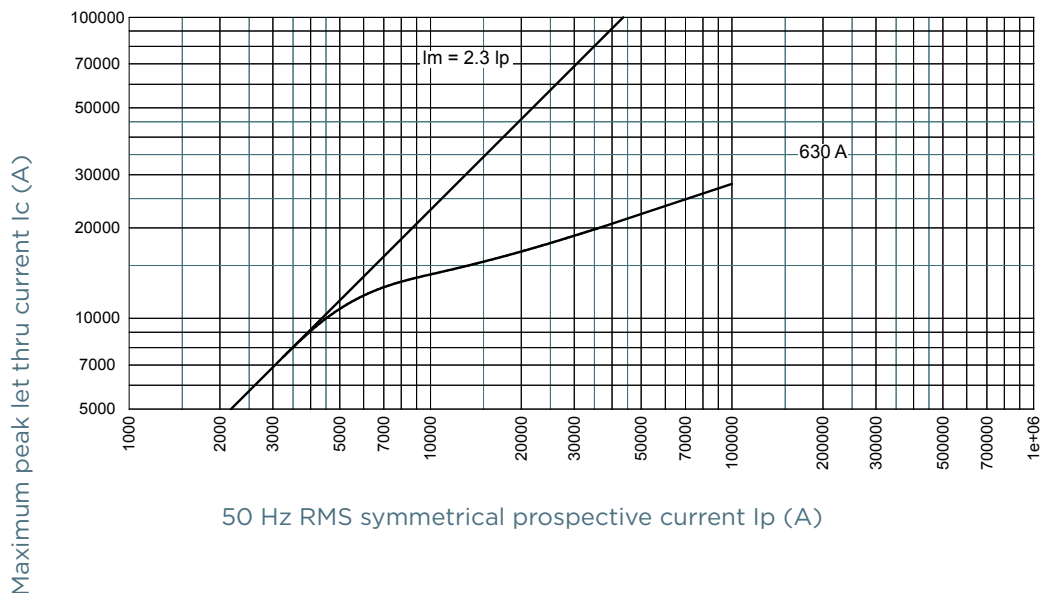
Size 70 800V



MERSEN reserves the right to change, update or correct, without notice, any information contained in this datasheet.

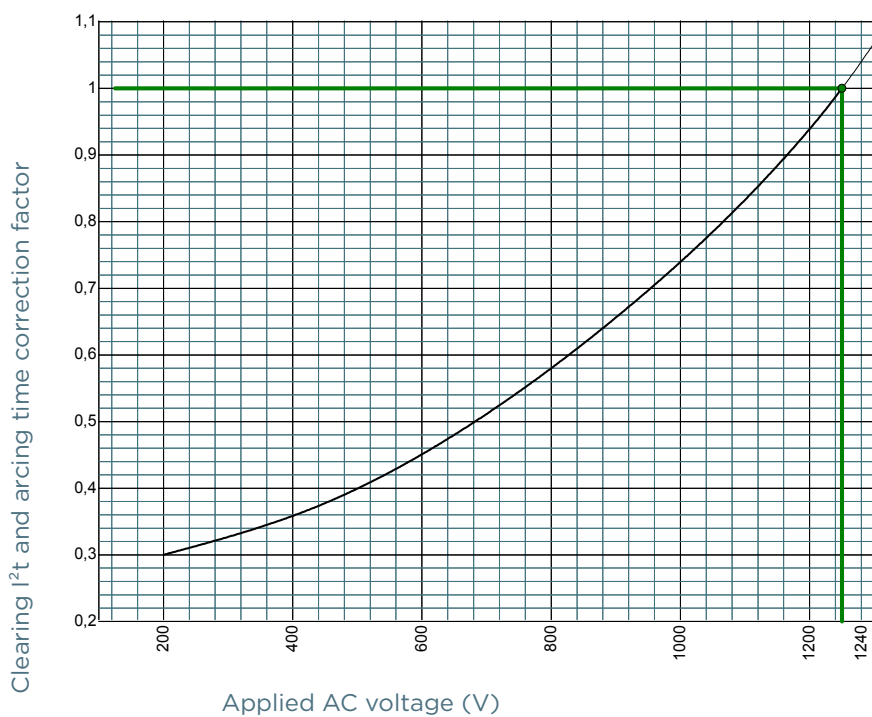
CUT-OFF CURRENT CHARACTERISTIC

Size 70 750V



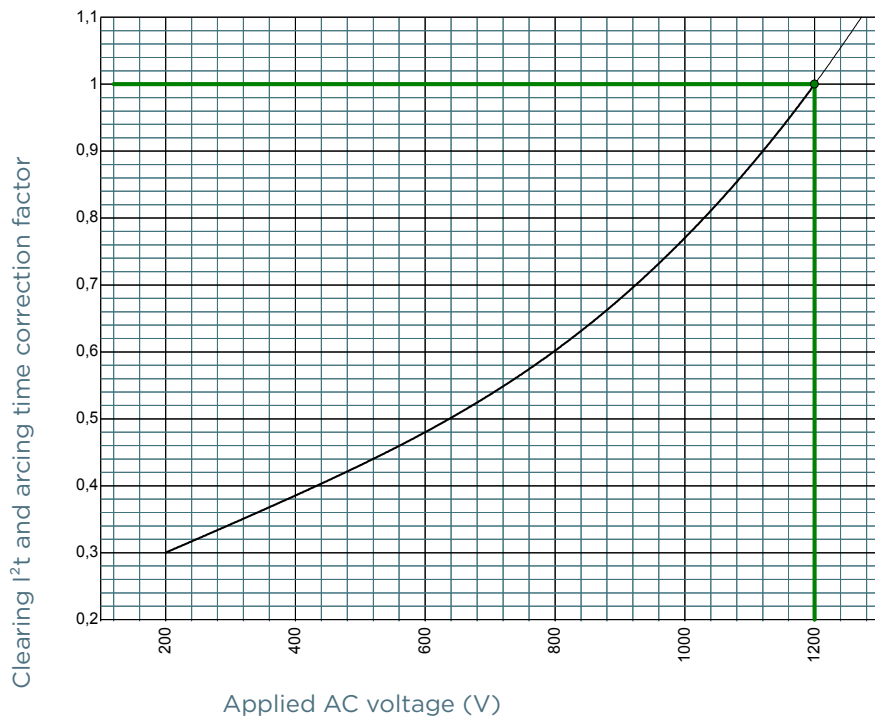
I²T MULTIPLIER COEFFICIENT

Size 70 1250V

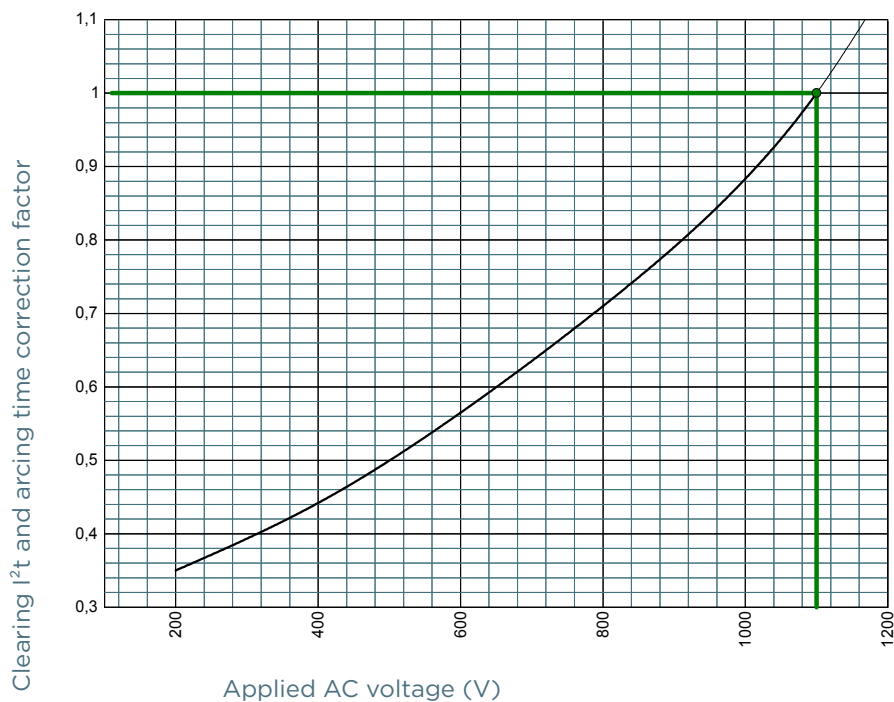


I²T MULTIPLIER COEFFICIENT

Size 70 1200V

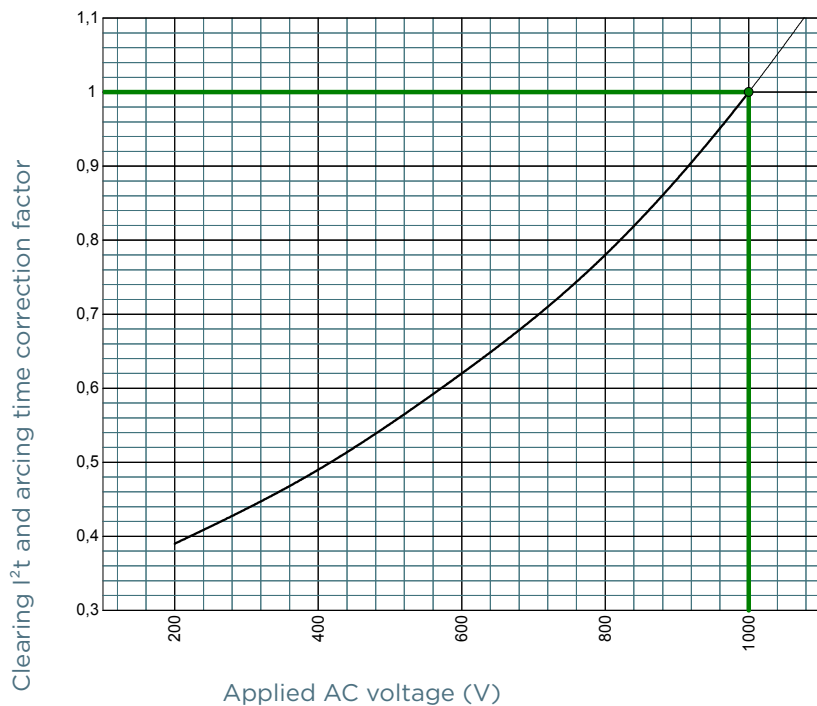


Size 70 1100V

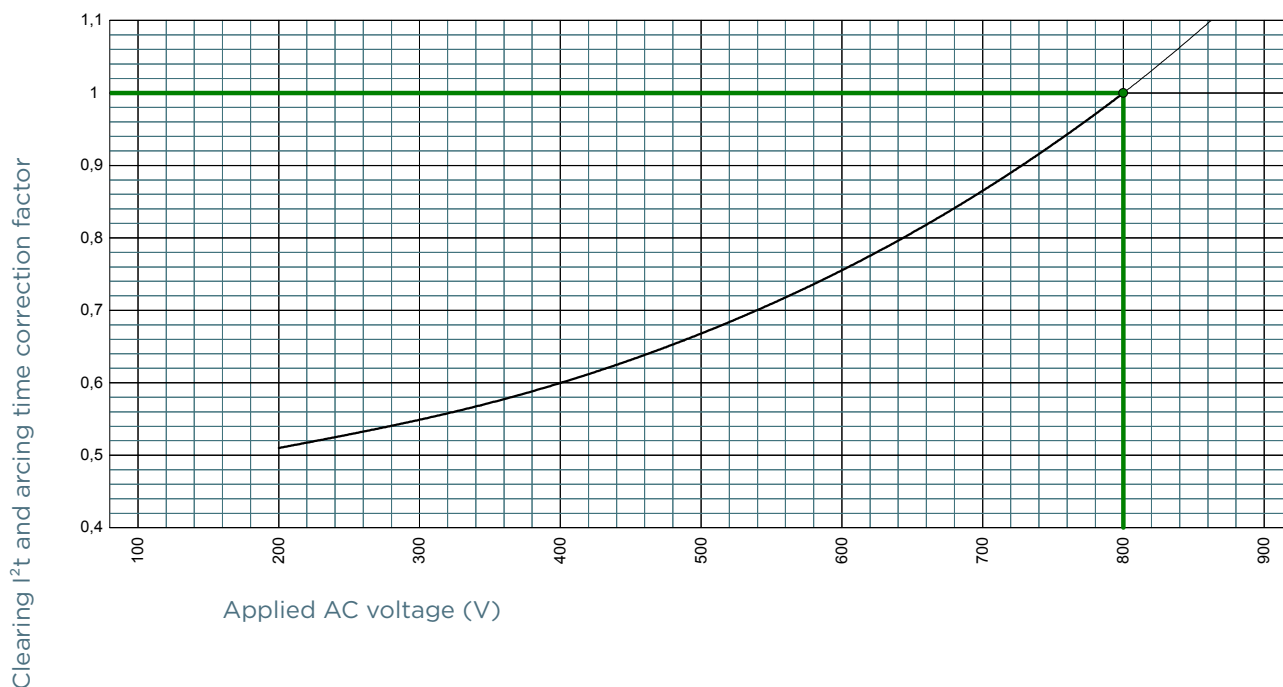


I²T MULTIPLIER COEFFICIENT

Size 70 1000V

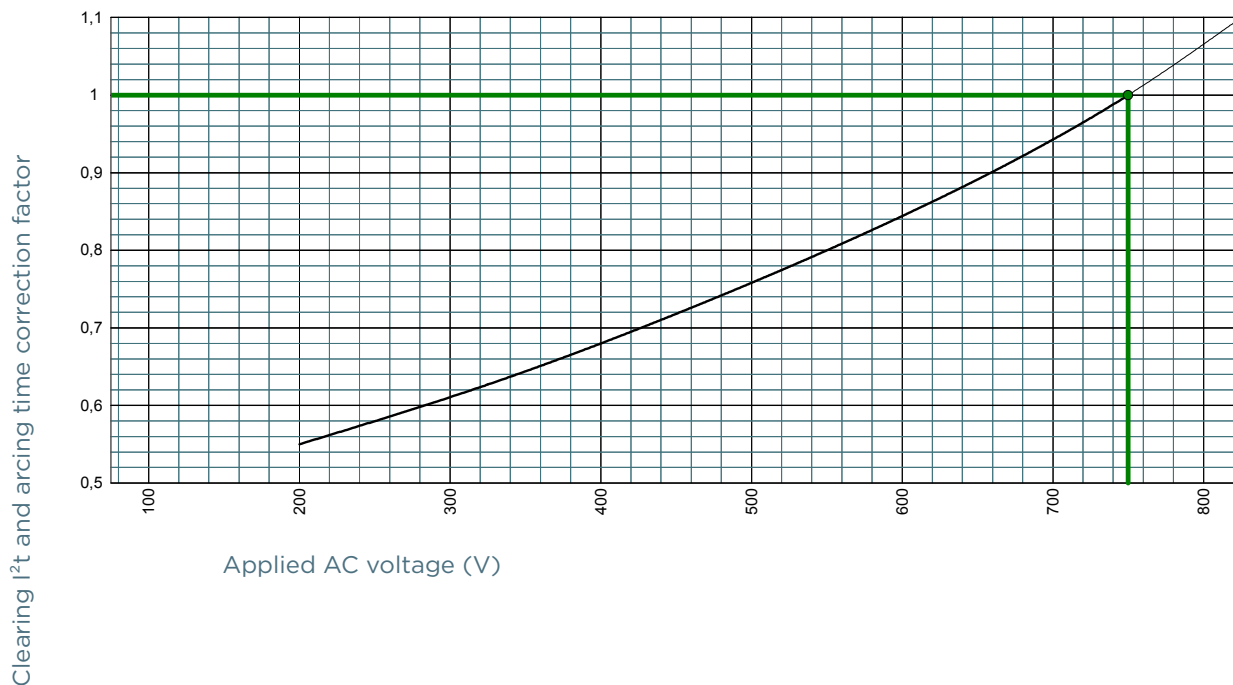


Size 70 800V



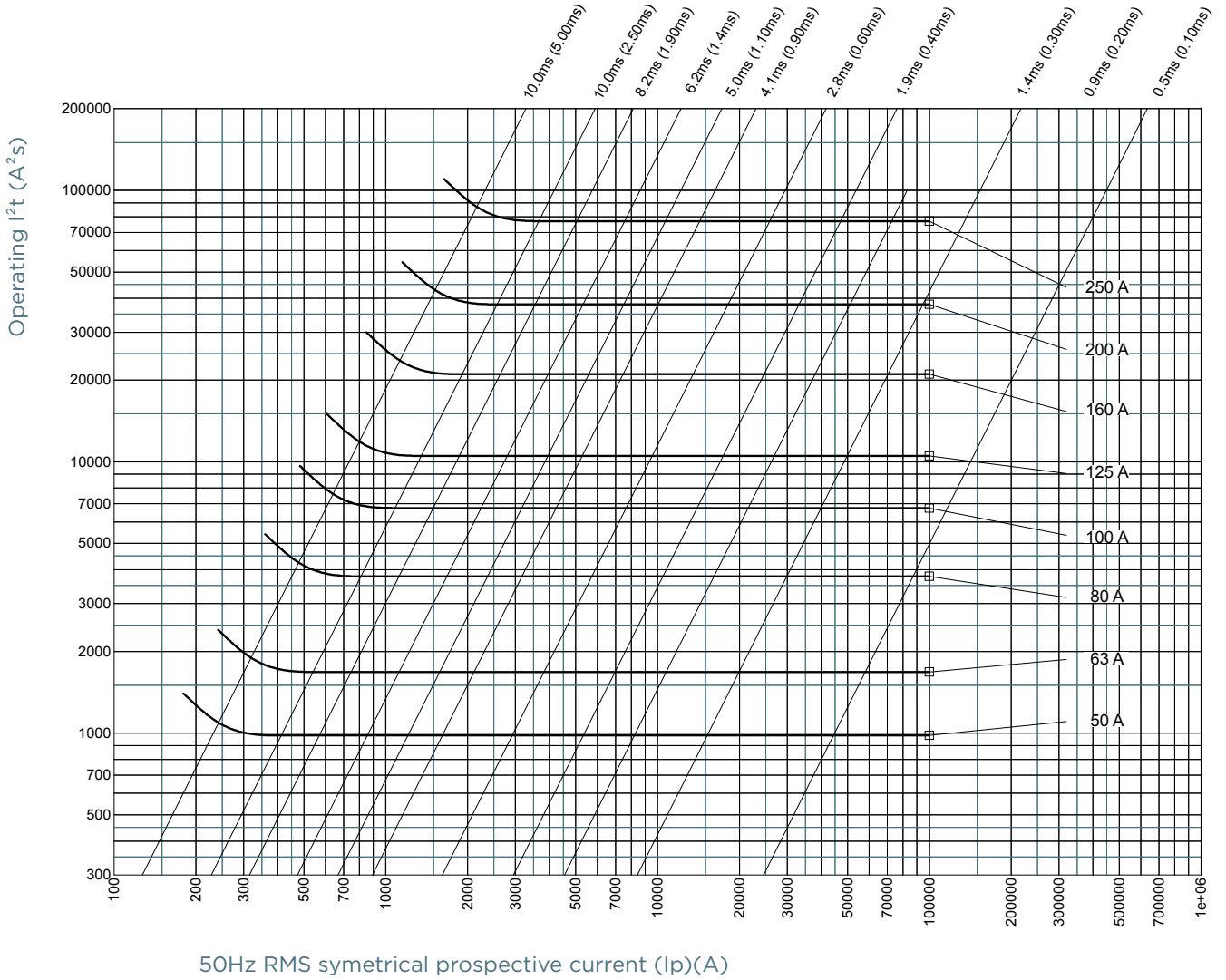
I²T MULTIPLIER COEFFICIENT

Size 70 750V



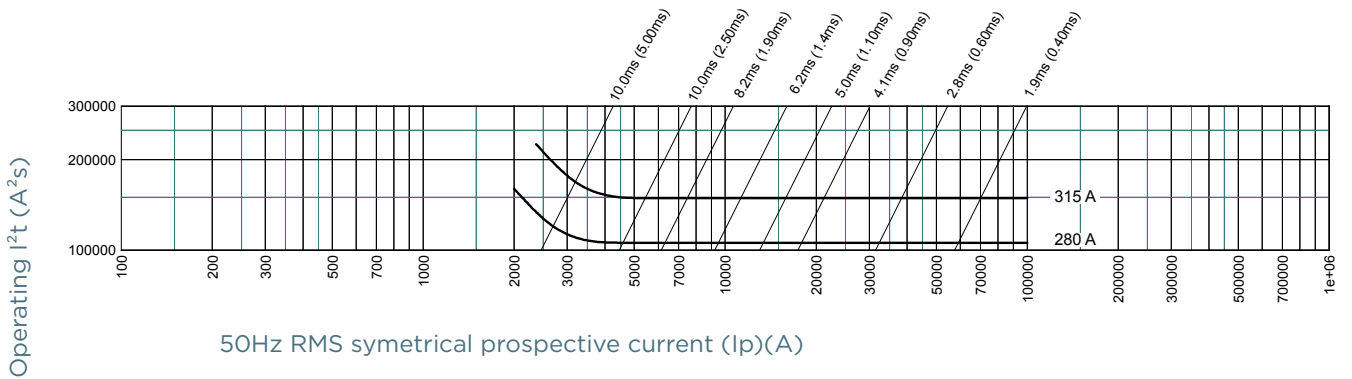
CHARACTERISTICS TOTAL I²T CURVE

Size 70 1250V



50Hz RMS symmetrical prospective current (Ip)(A)

Size 70 1200V

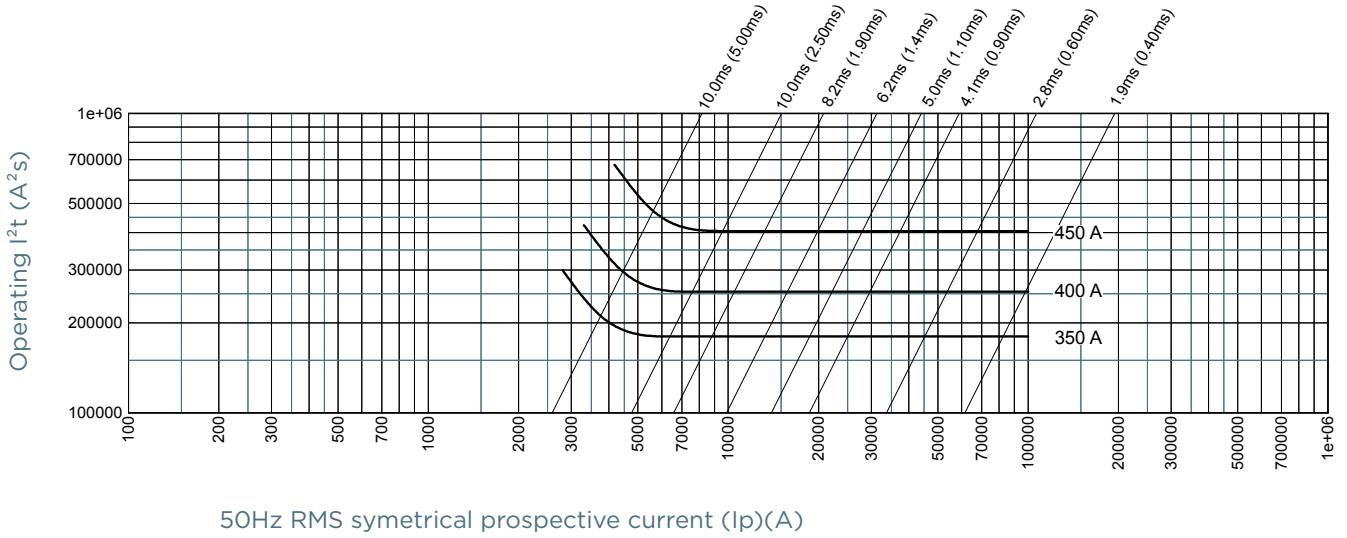


50Hz RMS symmetrical prospective current (Ip)(A)

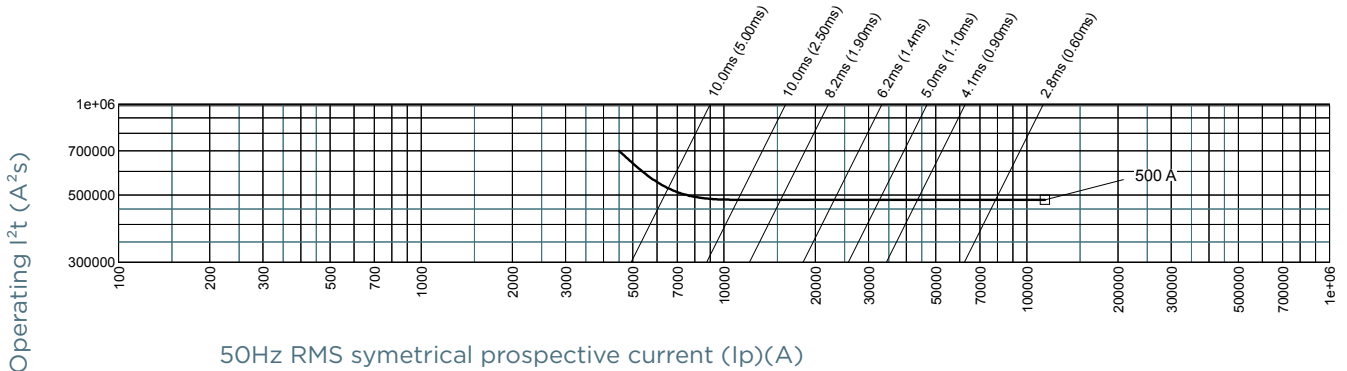
MERSEN reserves the right to change, update or correct, without notice, any information contained in this datasheet.

CHARACTERISTICS TOTAL I²T CURVE

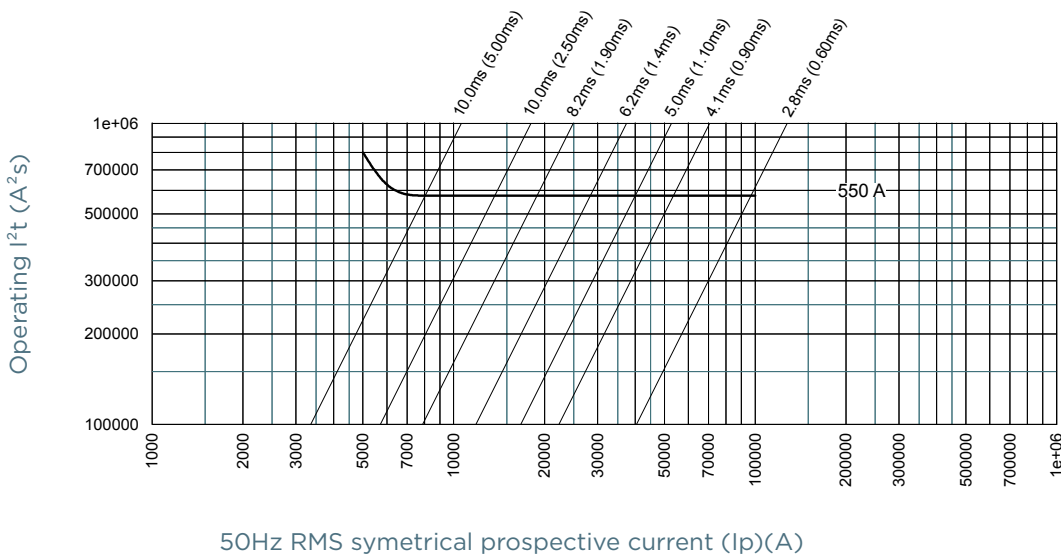
Size 70 1100V



Size 70 1000V



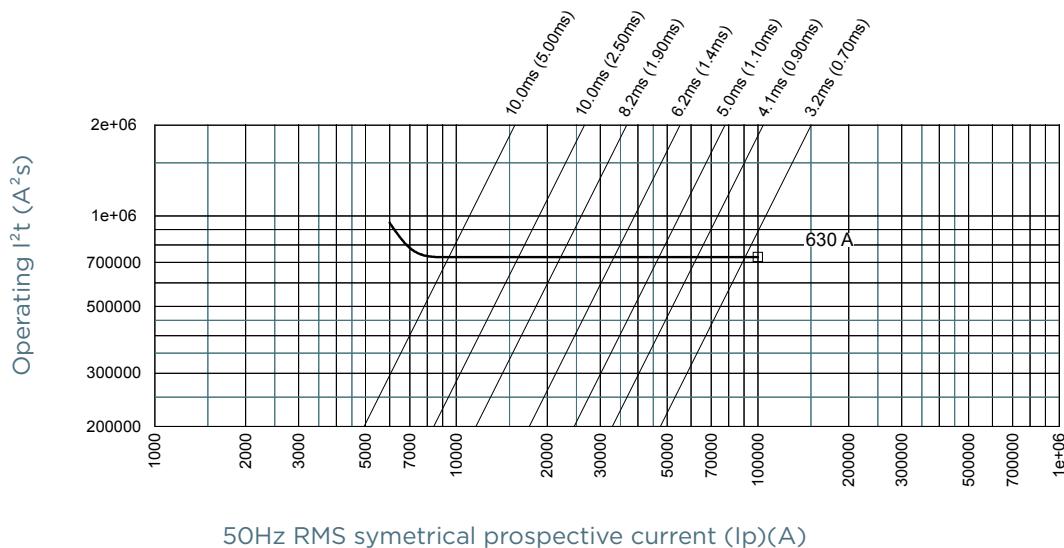
Size 70 800V



MERSEN reserves the right to change, update or correct, without notice, any information contained in this datasheet.

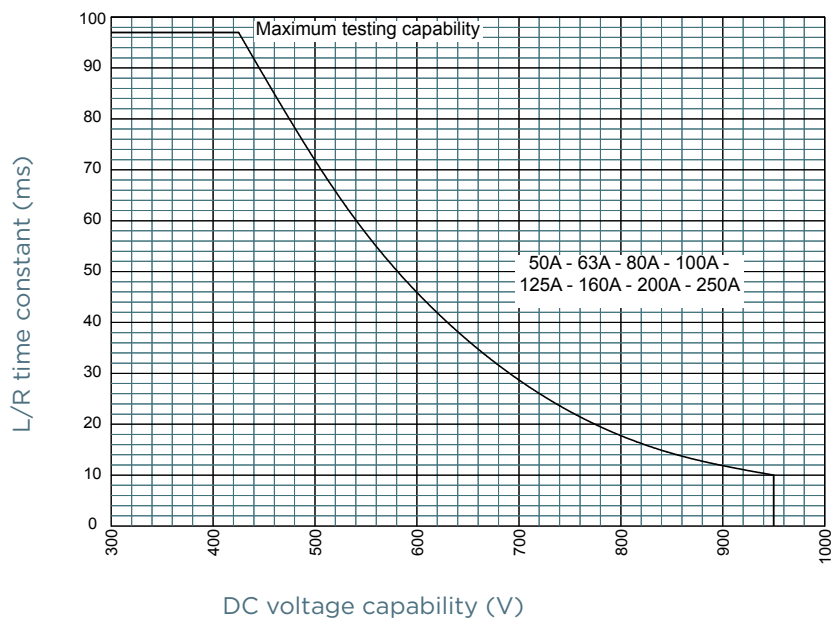
CHARACTERISTICS TOTAL I²T CURVE

Size 70 750V



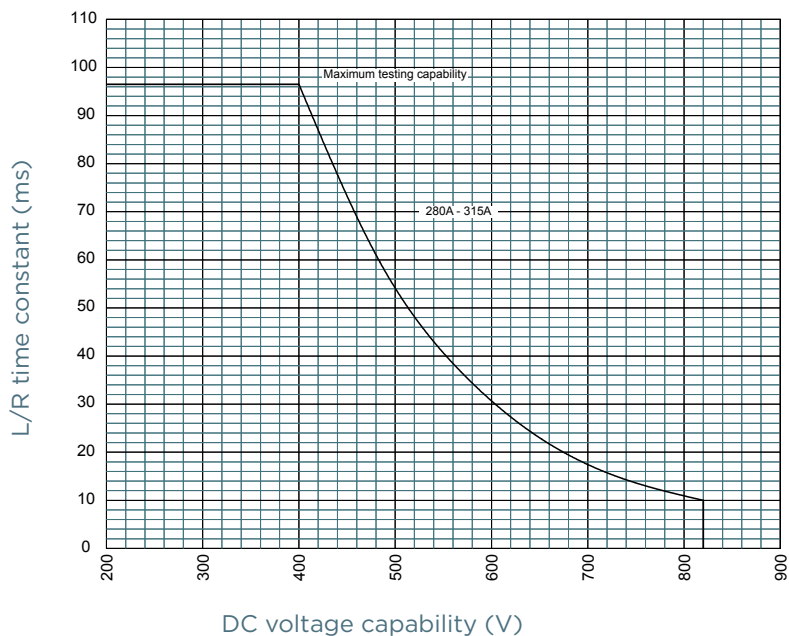
L/R TIME CONSTANT VS DC VOLTAGE CAPABILITY

Size 70 1250V

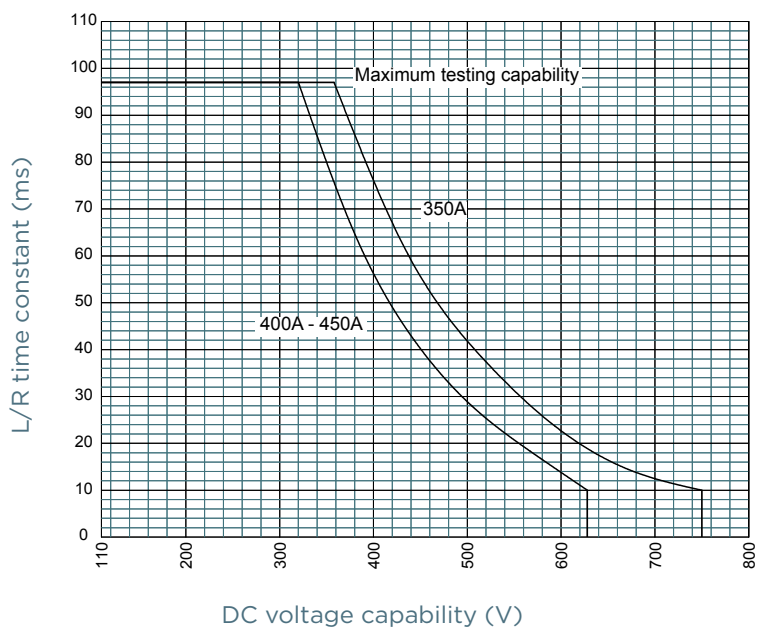


L/R TIME CONSTANT VS DC VOLTAGE CAPABILITY

Size 70 1200V

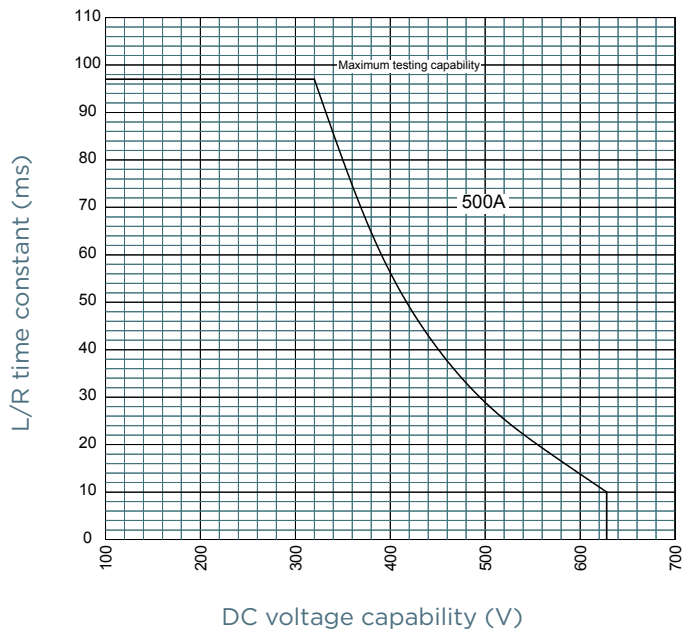


Size 70 1100V

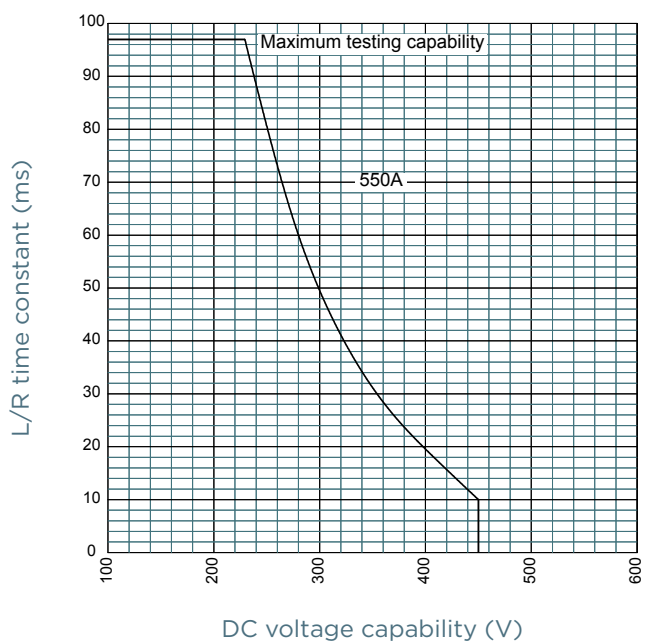


L/R TIME CONSTANT VS DC VOLTAGE CAPABILITY

Size 70 1000V

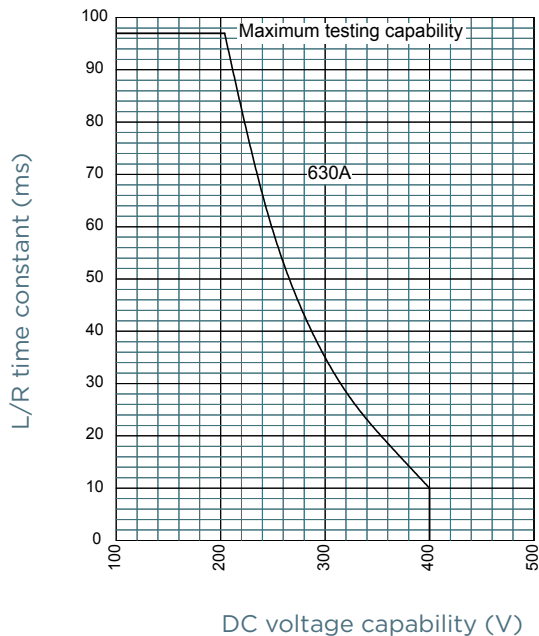


Size 70 800V



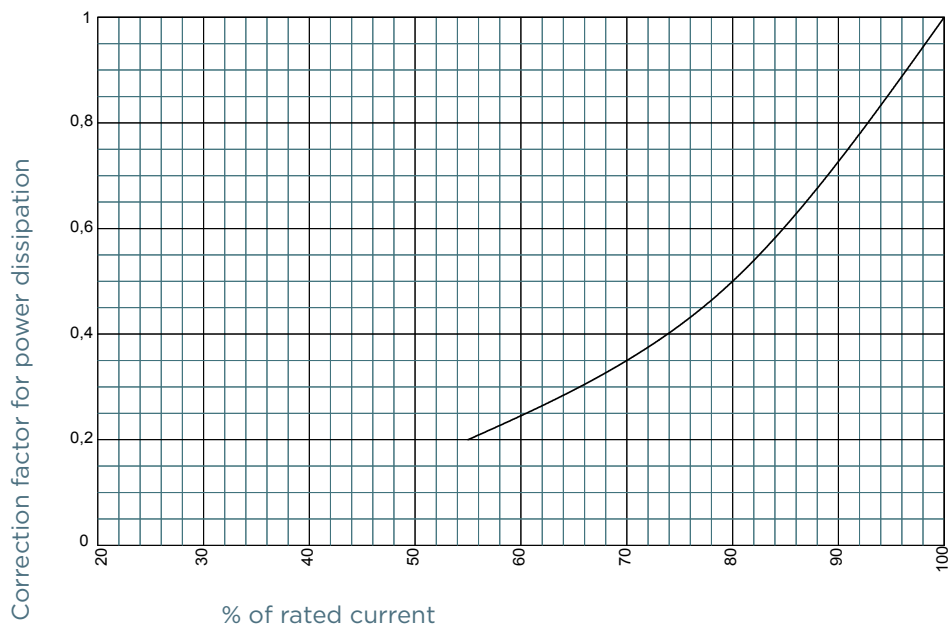
L/R TIME CONSTANT VS DC VOLTAGE CAPABILITY

Size 70 750V



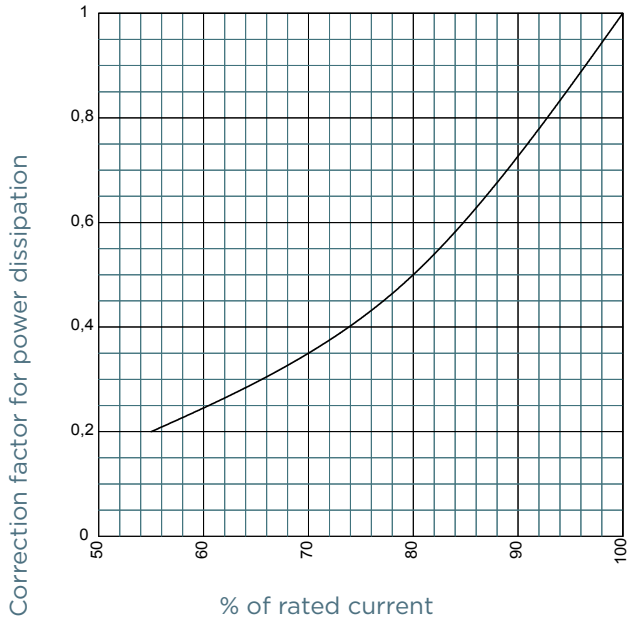
POWER DISSIPATION

Size 70 1250V

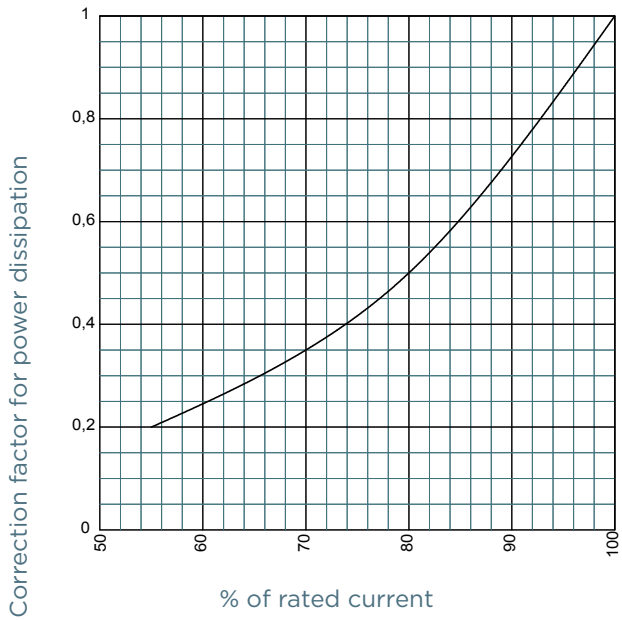


POWER DISSIPATION

Size 70 1200V

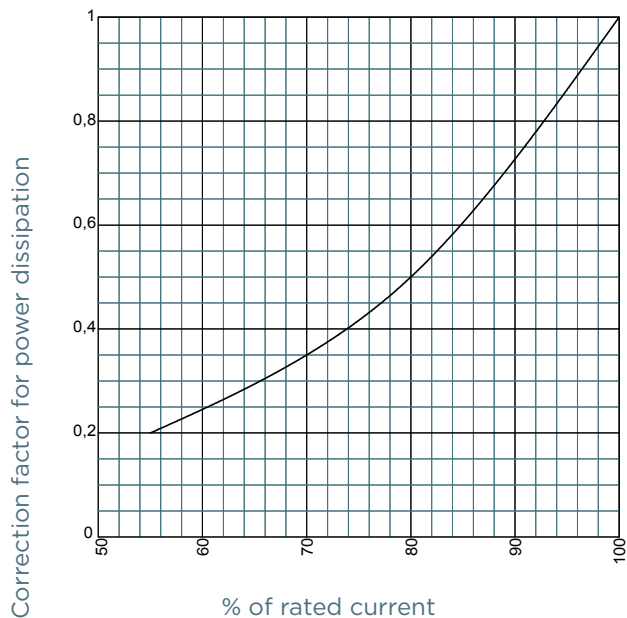


Size 70 1100V

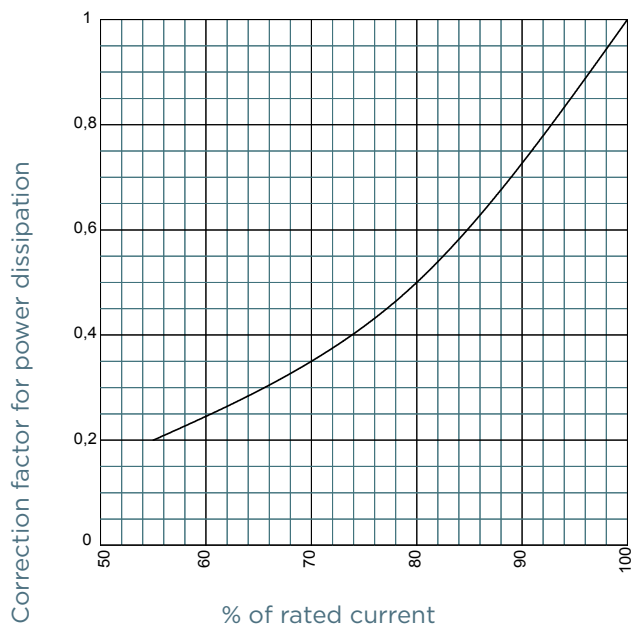


POWER DISSIPATION

Size 70 1000V

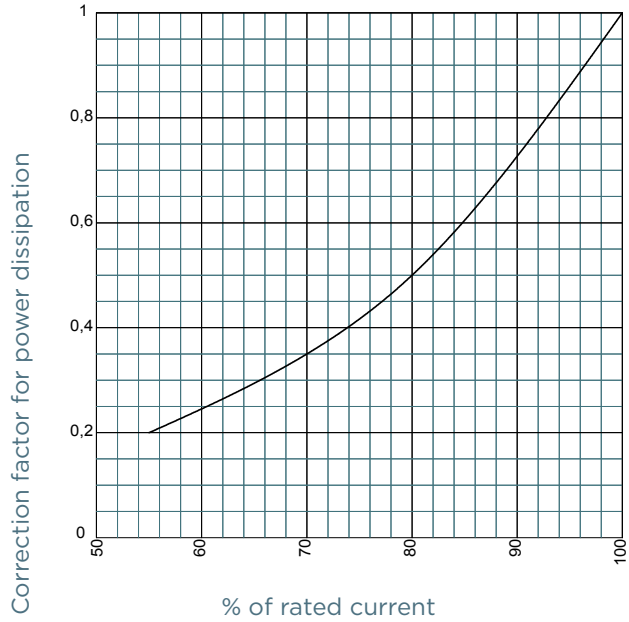


Size 70 800V



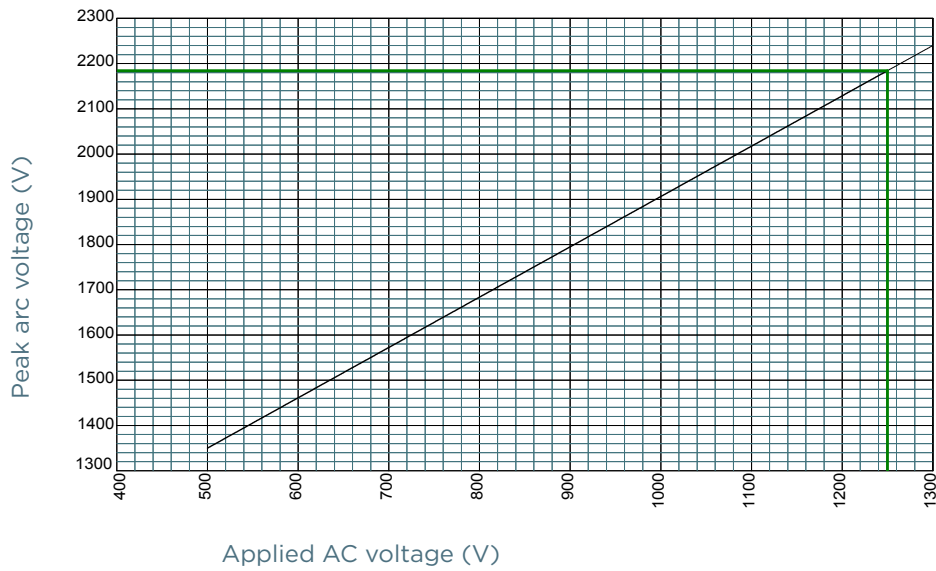
POWER DISSIPATION

Size 70 750V



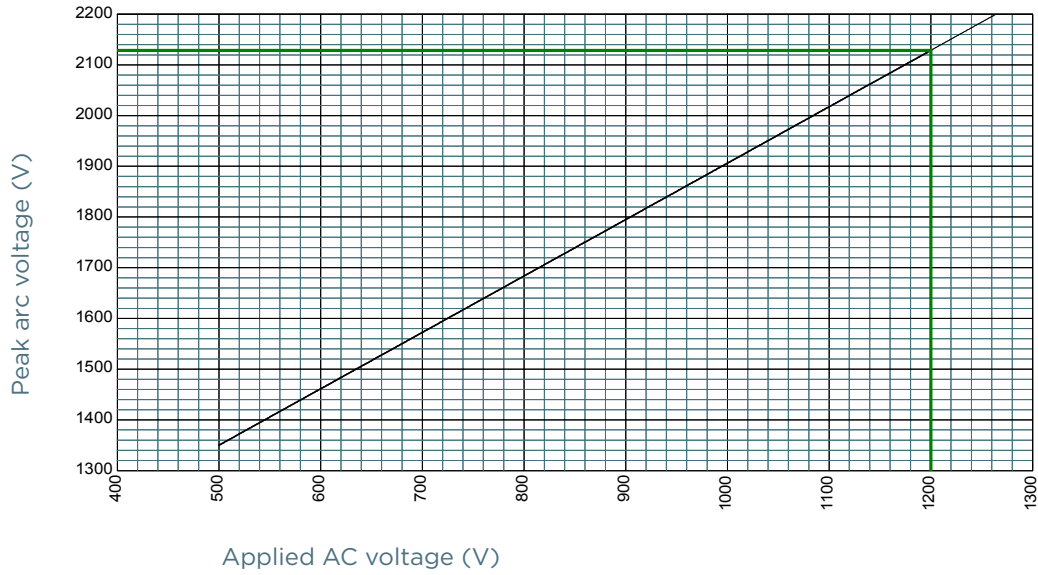
PEAK ARC VOLTAGE

Size 70 1250V

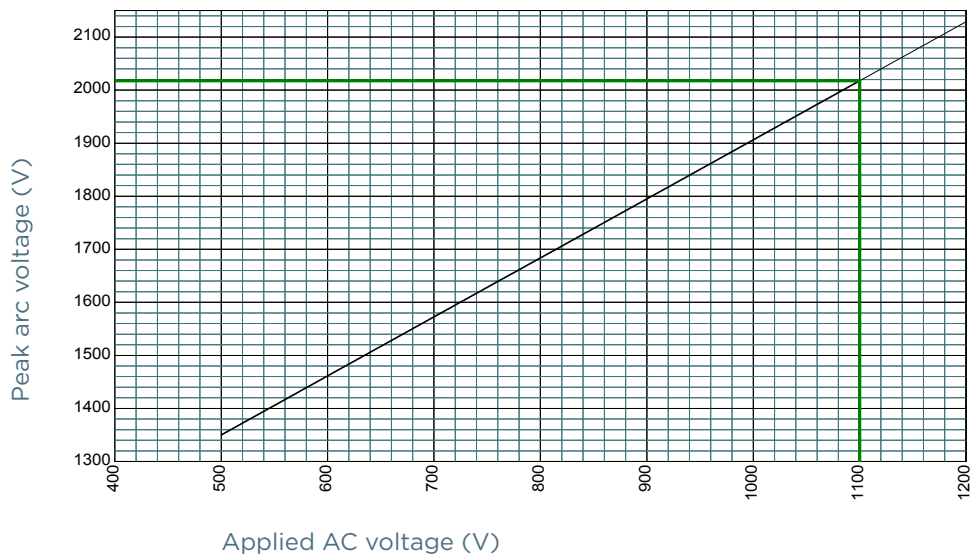


PEAK ARC VOLTAGE

Size 70 1200V

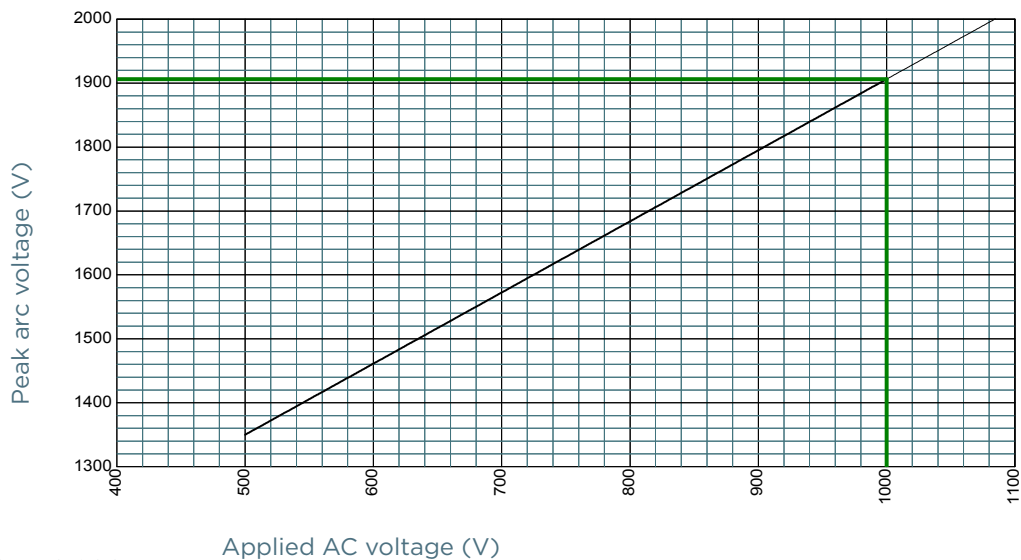


Size 70 1100V

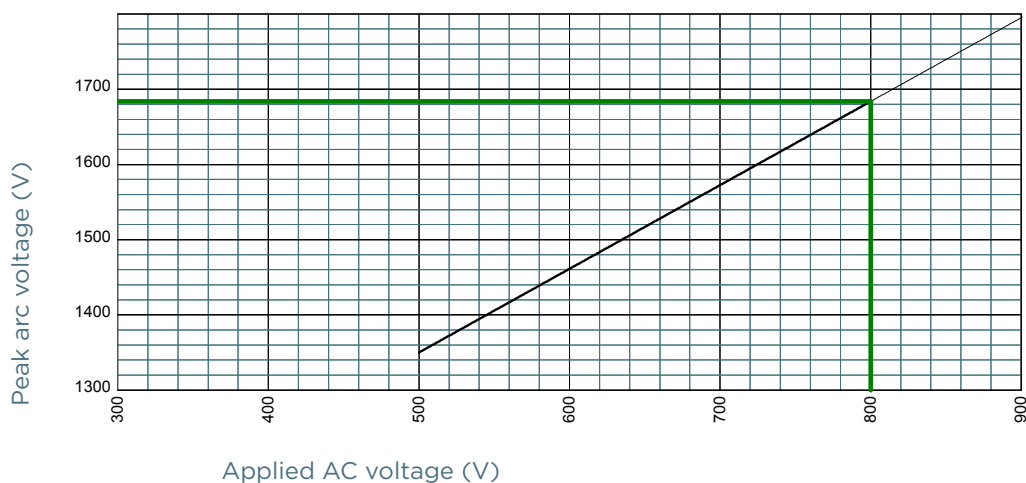


PEAK ARC VOLTAGE

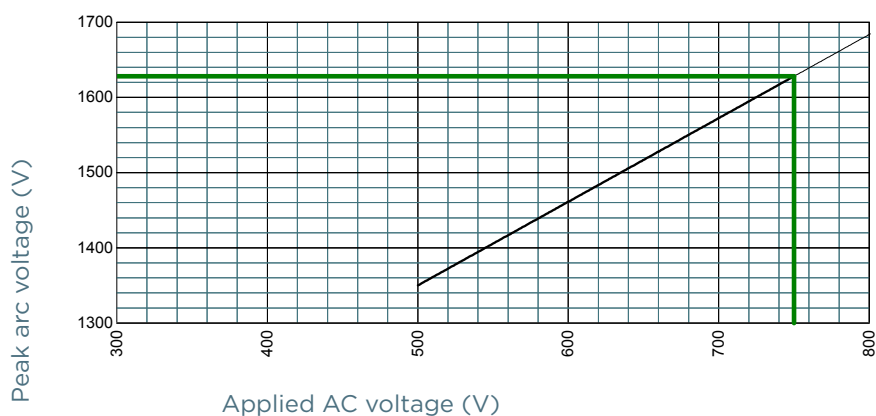
Size 70 1000V



Size 70 800V



Size 70 750V

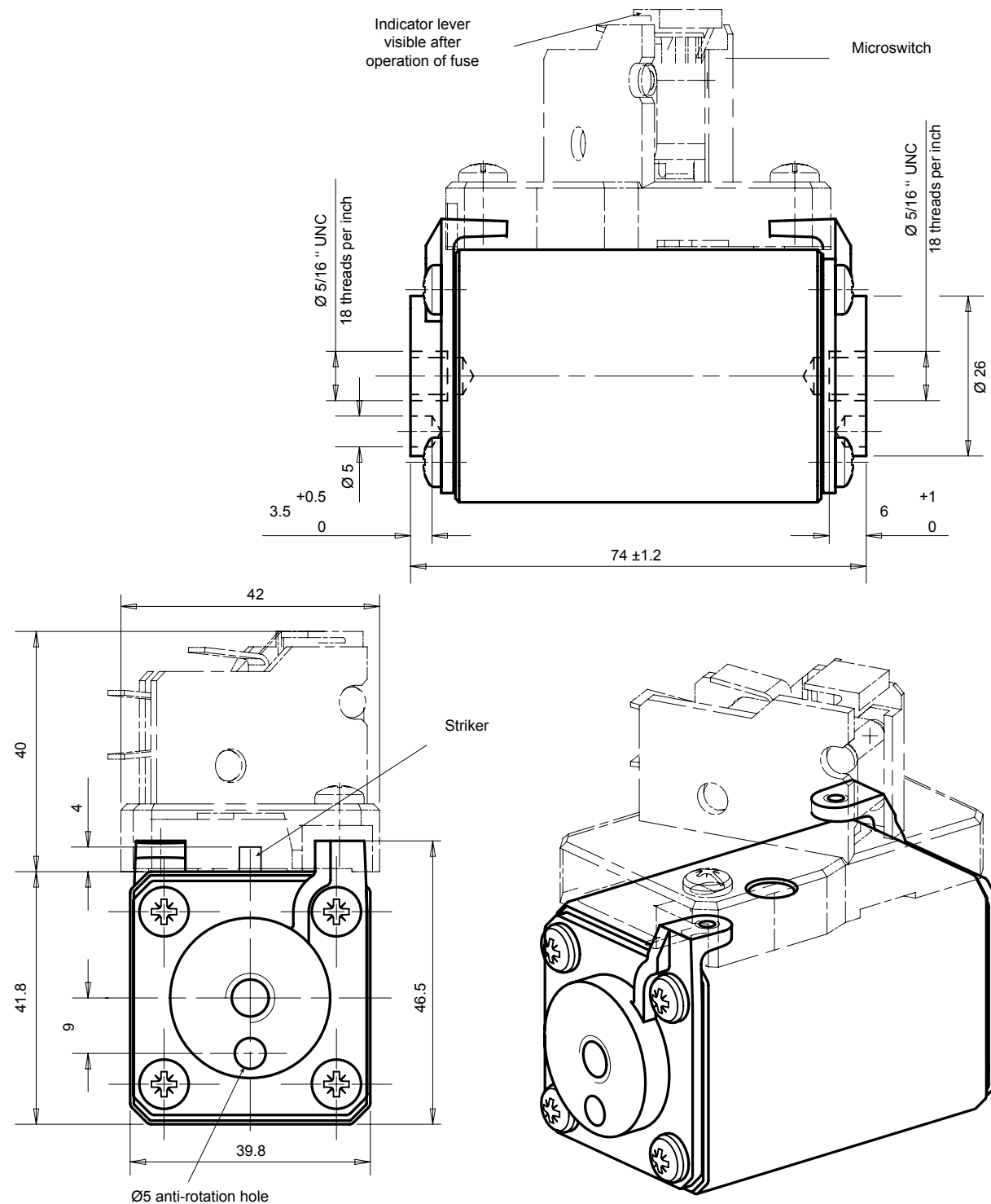


Protistor® size 70 aR

1100 to 1250VAC (IEC) / 1300VAC (UL)

DIMENSIONS

Size 70 aR TTI (109497)



Dimensions in mm

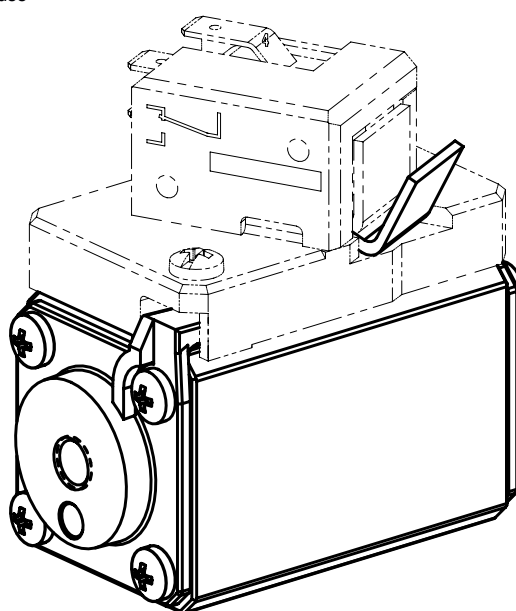
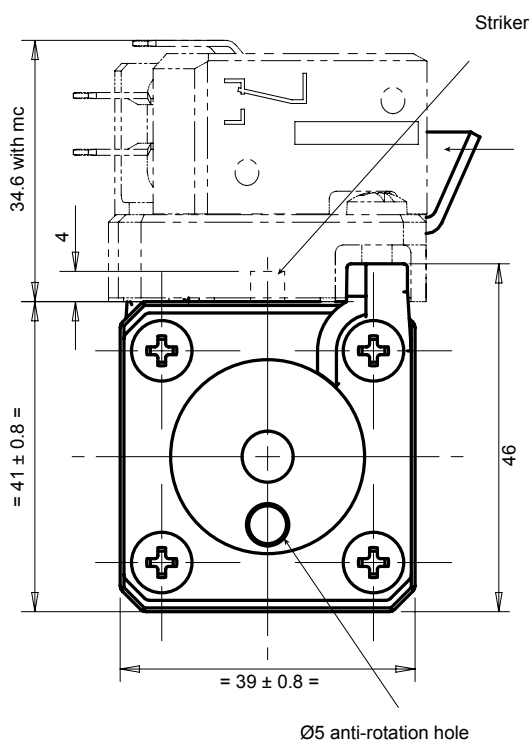
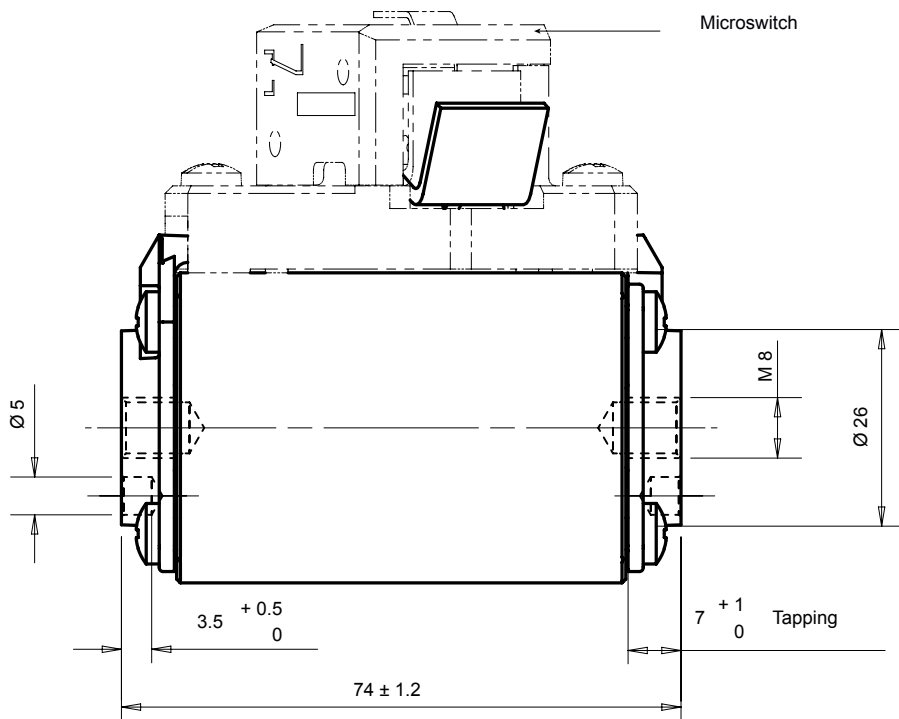
MERSEN reserves the right to change, update or correct, without notice, any information contained in this datasheet.

Protistor® size 70 aR

1100 to 1250VAC (IEC) / 1300VAC (UL)

DIMENSIONS

Size 70 aR TTF (105698)



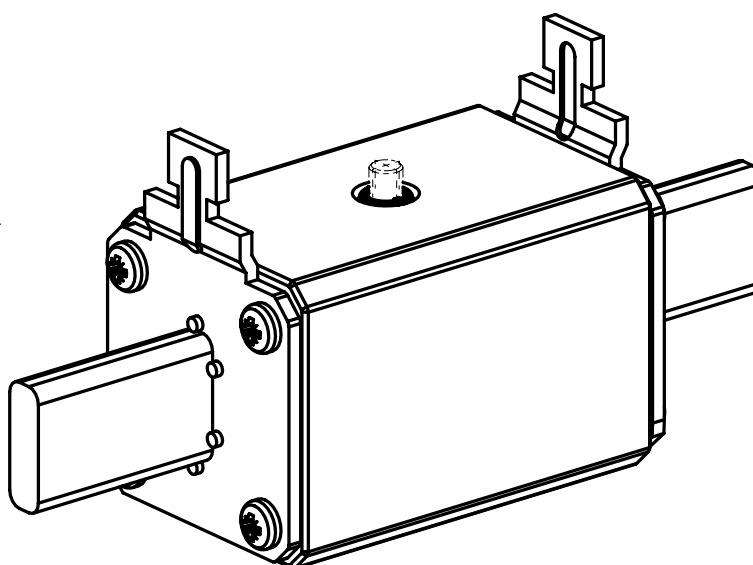
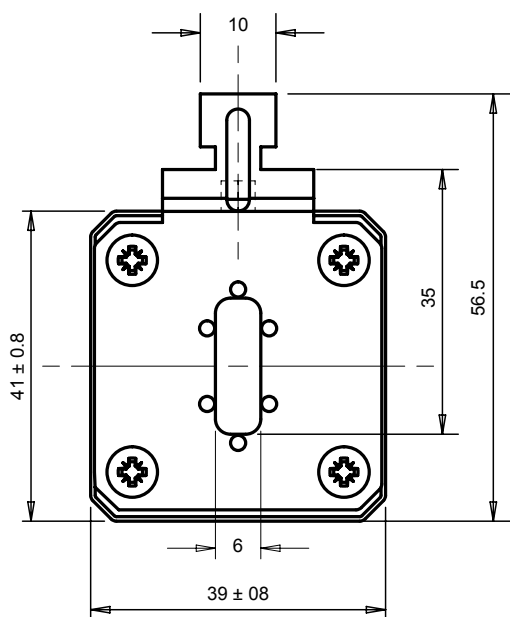
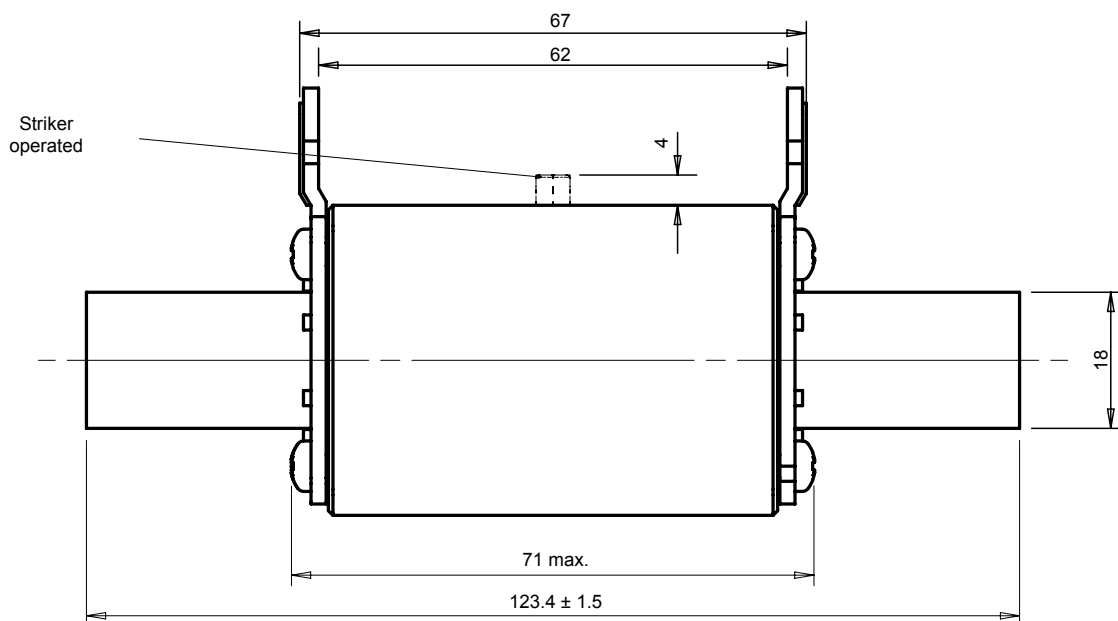
Dimensions in mm

Protistor® size 70 aR

1100 to 1250VAC (IEC) / 1300VAC (UL)

DIMENSIONS

Size 70 aR NH (107129)



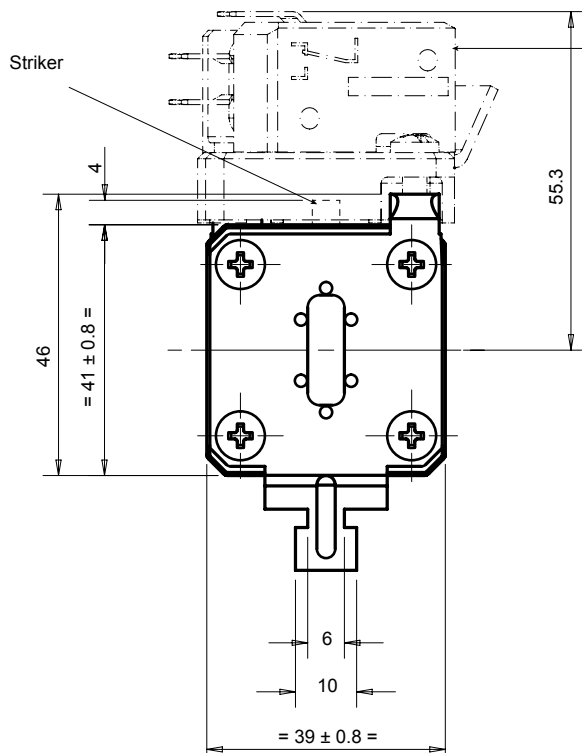
Dimensions in mm

Protistor® size 70 aR

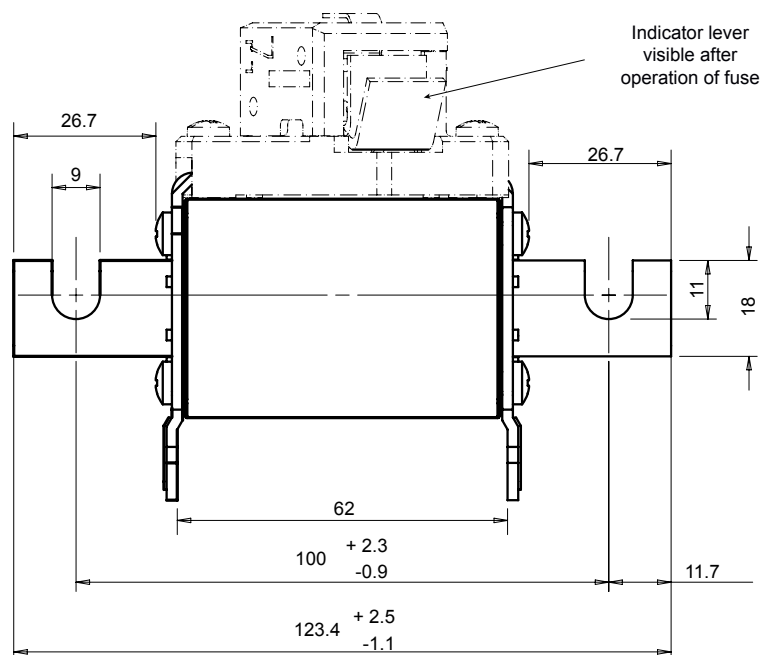
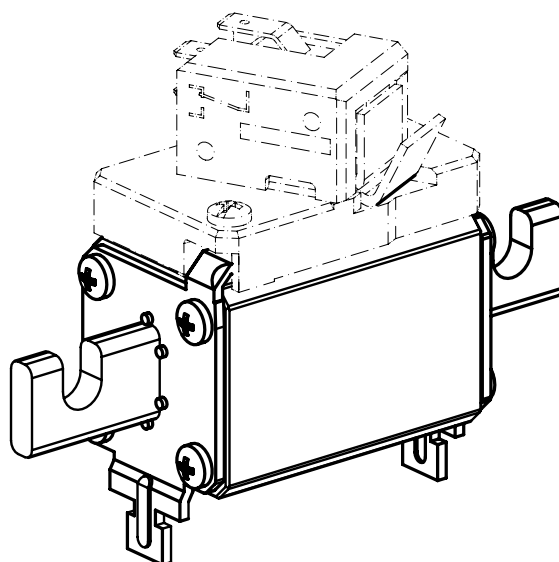
1100 to 1250VAC (IEC) / 1300VAC (UL)

DIMENSIONS

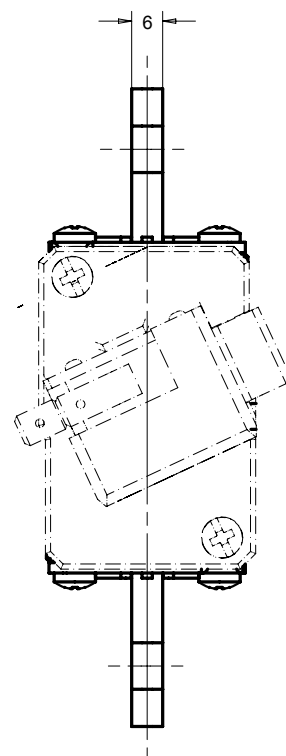
Size 70 aR EF (105879)



Microswitch



Indicator lever visible after operation of fuse



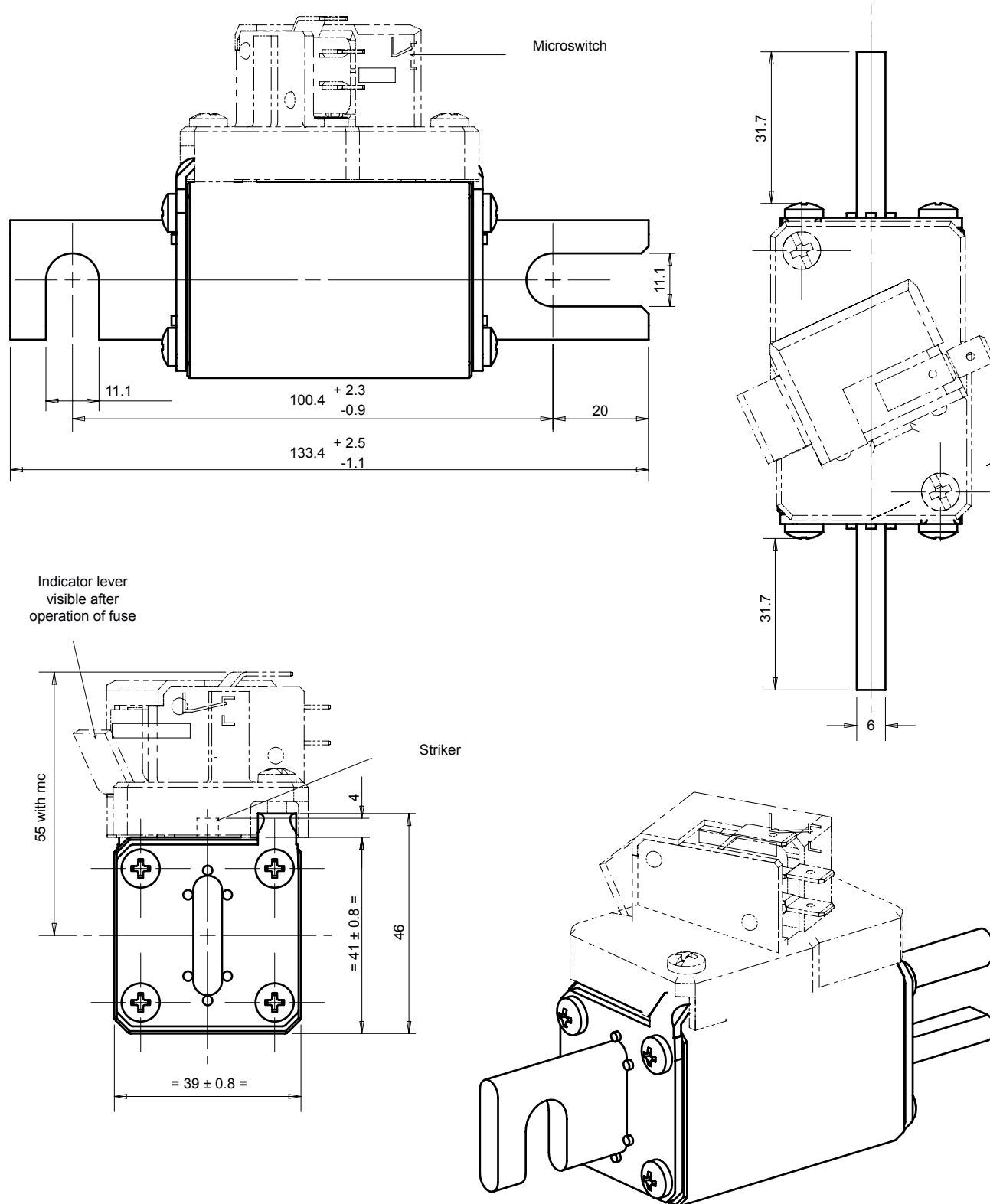
Dimensions in mm

Protistor® size 70 aR

1100 to 1250VAC (IEC) / 1300VAC (UL)

DIMENSIONS

Size 70 aR DIN 110 (105711)



Dimensions in mm

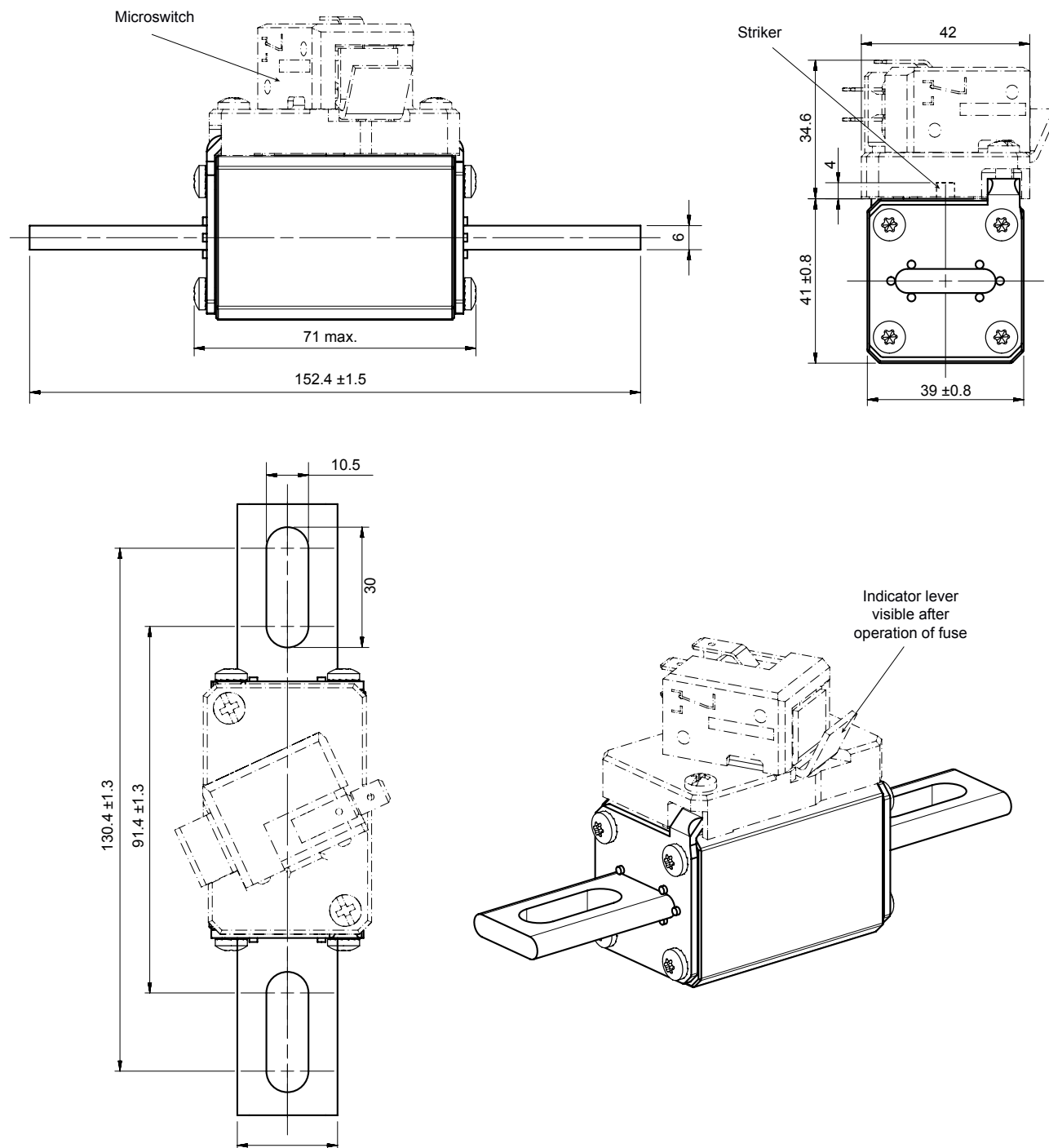
MERSEN reserves the right to change, update or correct, without notice, any information contained in this datasheet.

Protistor® size 70 aR

1100 to 1250VAC (IEC) / 1300VAC (UL)

DIMENSIONS

Size 70 aR LI (105921)



Dimensions in mm

Protistor® size 70 aR

1100 to 1250VAC (IEC) / 1300VAC (UL)

APPENDIX

Index

| Catalog number | Item number | Description 1 | Page |
|-----------------|-------------|------------------------|------|
| A130UD70TTI63 | Q301015 | A 130 URD 70 TTI 0063 | 2 |
| A130UD70TTI80 | R301016 | A130URD70TTI0080 | 2 |
| A130UD70TTI100 | S301017 | A 130 URD 70 TTI 0100 | 2 |
| A130UD70TTI125 | T301018 | A130URD70TTI0125 | 2 |
| A130UD70TTI160 | V301019 | A 130 URD 70 TTI 0160 | 2 |
| A130UD70TTI200 | W301020 | A130URD70TTI0200 | 2 |
| A130UD70TTI250 | X301021 | A 130 URD 70 TTI 0250 | 2 |
| A130UD70TTI280 | Y301022 | A130URD70TTI0280 | 2 |
| A130UD70TTI315 | Z301023 | A 130 URD 70 TTI 0315 | 2 |
| A120UD70TTI350 | A301024 | A 120 URD 70 TTI 0350 | 2 |
| PC70UD13C50TF | C301095 | 12,5 URD 70 TT F 0050 | 2 |
| PC70UD13C63TF | M300483 | 12,5 URD 70 TT F 0063 | 2 |
| PC70UD13C80TF | N300484 | 12,5 URD 70 TT F 0080 | 2 |
| PC70UD13C100TF | P300485 | 12,5 URD 70 TT F 0100 | 2 |
| PC70UD13C125TF | Q300486 | 12,5 URD 70 TT F 0125 | 2 |
| PC70UD13C160TF | R300487 | 12,5 URD 70 TT F 0160 | 2 |
| PC70UD13C200TF | S300488 | 12,5 URD 70 TT F 0200 | 2 |
| PC70UD13C250TF | T300489 | 12,5 URD 70 TT F 0250 | 2 |
| PC70UD12C280TF | N300714 | 12 URD 70 TT F 0280 | 2 |
| PC70UD12C315TF | V300490 | 12 URD 70 TT F 0315 | 2 |
| PC70UD11C350TF | W300491 | 11 URD 70 TT F 0350 | 2 |
| PC70UD11C400TF | E300867 | 11 URD 70 TT F 0400 | 2 |
| PC70UD11C450TF | H301284 | 11 URD 70 TT F 0450 | 2 |
| PC70UD10C500TF | J301285 | 10 URD 70 TT F 0500 | 2 |
| A130UD70LI063 | W300652 | A 130 URD 70 LI 0063 | 2 |
| A130UD70LI080 | X300653 | A 130 URD 70 LI 0080 | 2 |
| A130UD70LI100 | Y300654 | A 130 URD 70 LI 0100 | 2 |
| A130UD70LI125 | Z300655 | A 130 URD 70 LI 0125 | 2 |
| A130UD70LI160 | A300656 | A 130 URD 70 LI 0160 | 2 |
| A130UD70LI200 | B300657 | A 130 URD 70 LI 0200 | 2 |
| A130UD70LI250 | C300658 | A 130 URD 70 LI 0250 | 2 |
| A130UD70LI280 | Q300716 | A 130 URD 70 LI 0280 | 2 |
| A130UD70LI315 | D300659 | A 130 URD 70 LI 0315 | 2 |
| A120UD70LI350 | E300660 | A 120 URD 70 LI 0350 | 2 |
| PC70UD13C50PA | J301423 | 12,5 URD 70 PA 0050 | 3 |
| PC70UD13C63PA | A301185 | 12,5 URD 70 PA 0063 | 3 |
| PC70UD13C80PA | M301242 | 12,5 URD 70 PA 0080 | 3 |
| PC70UD13C100PA | J301124 | 12,5 URD 70 PA 0100 | 3 |
| PC70UD13C125PA | K301125 | 12,5 URD 70 PA 0125 | 3 |
| PC70UD13C160PA | D301188 | 12,5 URD 70 PA 0160 | 3 |
| PC70UD13C200PA | Z300839 | 12,5 URD 70 PA 0200 | 3 |
| PC70UD13C63EF | P300600 | 12,5 URD 70 EF 0063 | 3 |
| PC70UD13C80EF | Q300601 | 12,5 URD 70 EF 0080 | 3 |
| PC70UD13C100EF | R300602 | 12,5URD70EF0100 | 3 |
| PC70UD13C125EF | S300603 | 12,5 URD 70 EF 0125 | 3 |
| PC70UD13C160EF | T300604 | 12,5URD70EF0160 | 3 |
| PC70UD13C200EF | V300605 | 12,5URD70EF0200 | 3 |
| PC70UD13C250EF | W300606 | 12,5 URD 70 EF 0250 | 3 |
| PC70UD12C280EF | L300712 | 12,5 URD 70 EF 0280 | 3 |
| PC70UD12C315EF | X300607 | 12 URD 70 EF 0315 | 3 |
| PC70UD11C350EF | Y300608 | 11 URD 70 EF 0350 | 3 |
| PC70UD13C63D1A | V300536 | 12,5 URD 70 D11 A 0063 | 3 |
| PC70UD13C80D1A | W300537 | 12,5 URD 70 D11 A 0080 | 3 |
| PC70UD13C100D1A | X300538 | 12,5 URD 70 D11 A 0100 | 3 |
| PC70UD13C125D1A | Y300539 | 12,5 URD 70 D11 A 0125 | 3 |

MERSEN reserves the right to change, update or correct, without notice, any information contained in this datasheet.

Protistor® size 70 aR

1100 to 1250VAC (IEC) / 1300VAC (UL)

Index

| Catalog number | Item number | Description 1 | Page |
|-----------------|-------------|------------------------|------|
| PC70UD13C160D1A | Z300540 | 12,5 URD 70 D11 A 0160 | 3 |
| PC70UD13C200D1A | A300541 | 12,5 URD 70 D11 A 0200 | 3 |
| PC70UD13C250D1A | B300542 | 12,5 URD 70 D11 A 0250 | 3 |
| PC70UD12C280D1A | J300710 | 12 URD 70 D11 A 0280 | 3 |
| PC70UD12C315D1A | C300543 | 12 URD 70 D11 A 0315 | 3 |
| PC70UD11C350D1A | D300544 | 11 URD 70 D11 A 0350 | 3 |