

Protistor® size 000/00 aR

500 to 690VAC (IEC) / 700VAC (UL)

SEMICONDUCTOR PROTECTION FUSES

SQUARE BODY HIGH-SPEED FUSE-LINKS AC PROTECTION



The 690/700V Protistor® fuse-links provide maximum flexibility in equipment design and ultimate protection for small power conversion equipment. These ultra-fast acting aR fuses have been engineered to provide state-of-the-art protection for semiconductors: diodes, thyristors and IGBT devices. They are assembled with die-cut elements embedded in solidified sand, which helps control arcing characteristics for a lower I^2t and high interrupting rating level. All contact surfaces are silver plated and all hardware is non-magnetic. Each fuse-link can be equipped with a low voltage trip-indicator which can operate a field mountable microswitch.

TECHNICAL DATA OVERVIEW

Voltage Range AC	500 ... 690 VAC
Ampere Range (A)	16 ... 400 A
Size per Standard	000, 00
Speed/Characteristic	aR
I.R. AC (IEC)	120 kA 200 kA

FEATURES & BENEFITS

- aR Class according to IEC 60269-4 and VDE 636-23
- Very low I^2t for improved semiconductor protection
- Ultra fast acting
- Superior cycling capability

APPLICATIONS

- Protection of inverters, motor drives, UPS systems and similar 690V or less equipments.

STANDARDS

- IEC 60269-4 Compliance
- UL/CSA Recognized Component
- AC: UL Guide No. E76491



Protistor® size 000/00 aR

500 to 690VAC (IEC) / 700VAC (UL)

PRODUCT RANGE



DN000UB69V315

Size 000 DIN80, vertical body, without indicator

Catalog number	Item number	Rated voltage AC (IEC)	Rated current I _n	Pre-arcing I ² t	Clearing I ² t at Rated Voltage	Rated breaking capacity AC	Power dissipation at I _n	Package
DN000UB69V80	K330036	690 V	80 A	390 A ² s	2500 A ² s	200 kA	21 W	6
DN000UB69V100	L330037	690 V	100 A	690 A ² s	4200 A ² s	200 kA	23 W	6
DN000UB69V125	M330038	690 V	125 A	1310 A ² s	8900 A ² s	200 kA	26 W	6
DN000UB69V160	N330039	690 V	160 A	2680 A ² s	16000 A ² s	200 kA	31 W	6
DN000UB69V200	P330040	690 V	200 A	5250 A ² s	31500 A ² s	200 kA	36 W	6
DN000UB69V250	Q330041	690 V	250 A	9860 A ² s	52000 A ² s	200 kA	45 W	6
DN000UB69V315	R330042	690 V	315 A	15420 A ² s	82000 A ² s	200 kA	58 W	6
DN000UB50V350	V330114	500 V	350 A	22400 A ² s	110000 A ² s	120 kA	58 W	6
DN000UB50V400	D330191	500 V	400 A	33180 A ² s	160000 A ² s	120 kA	66 W	6

Size 000 DIN80, vertical body, with indicator

Catalog number	Item number	Rated voltage AC (IEC)	Rated current I _n	Pre-arcing I ² t	Clearing I ² t at Rated Voltage	Rated breaking capacity AC	Power dissipation at I _n	Package
DN000UB69V80V	W330023	690 V	80 A	390 A ² s	2500 A ² s	200 kA	21 W	6
DN000UB69V100V	X330024	690 V	100 A	690 A ² s	4200 A ² s	200 kA	23 W	6
DN000UB69V125V	Y330025	690 V	125 A	1310 A ² s	8900 A ² s	200 kA	26 W	6
DN000UB69V160V	Z330026	690 V	160 A	2680 A ² s	16000 A ² s	200 kA	31 W	6
DN000UB69V200V	A330027	690 V	200 A	5250 A ² s	31500 A ² s	200 kA	36 W	6
DN000UB69V250V	B330028	690 V	250 A	9860 A ² s	52000 A ² s	200 kA	45 W	6
DN000UB69V315V	C330029	690 V	315 A	15420 A ² s	82000 A ² s	200 kA	58 W	6
DN000UB50V350V	W330115	500 V	350 A	22400 A ² s	110000 A ² s	120 kA	58 W	6
DN000UB50V400V	E330192	500 V	400 A	33180 A ² s	160000 A ² s	120 kA	66 W	6

Size 000 DIN80, vertical body, for monitoring micro-contact

Catalog number	Item number	Rated voltage AC (IEC)	Rated current I _n	Pre-arcing I ² t	Clearing I ² t at Rated Voltage	Rated breaking capacity AC	Power dissipation at I _n	Package
DN000UB69V80L	T330182	690 V	80 A	390 A ² s	2500 A ² s	200 kA	21 W	6
DN000UB69V100L	V330183	690 V	100 A	690 A ² s	4200 A ² s	200 kA	23 W	6
DN000UB69V125L	W330184	690 V	125 A	1310 A ² s	8900 A ² s	200 kA	26 W	6
DN000UB69V160L	X330185	690 V	160 A	2680 A ² s	16000 A ² s	200 kA	31 W	6
DN000UB69V200L	Y330186	690 V	200 A	5250 A ² s	31500 A ² s	200 kA	36 W	6
DN000UB69V250L	Z330187	690 V	250 A	9860 A ² s	52000 A ² s	200 kA	45 W	6
DN000UB69V315L	A330188	690 V	315 A	15420 A ² s	82000 A ² s	200 kA	58 W	6
DN000UB50V350L	B330189	500 V	350 A	22400 A ² s	110000 A ² s	120 kA	58 W	6
DN000UB50V400L	F330193	500 V	400 A	33180 A ² s	160000 A ² s	120 kA	66 W	6

MERSEN reserves the right to change, update or correct, without notice, any information contained in this datasheet.

Protistor® size 000/00 aR

500 to 690VAC (IEC) / 700VAC (UL)

PRODUCT RANGE

Size 000 BS88, horizontal body, without indicator

Catalog number	Item number	Rated voltage AC (IEC)	Rated current I _n	Pre-arcing I ² t	Clearing I ² t at Rated Voltage	Rated breaking capacity AC	Power dissipation at I _n	Package
BS000UB69V75	B330051	690 V	75 A	340 A ² s	2250 A ² s	200 kA	20.5 W	3
BS000UB69V80	C330052	690 V	80 A	390 A ² s	2500 A ² s	200 kA	21 W	3
BS000UB69V100	D330053	690 V	100 A	690 A ² s	4200 A ² s	200 kA	23 W	3
BS000UB69V110	E330100	690 V	110 A	950 A ² s	6800 A ² s	200 kA	24.5 W	3
BS000UB69V125	E330054	690 V	125 A	1310 A ² s	8900 A ² s	200 kA	26 W	3
BS000UB69V160	F330055	690 V	160 A	2680 A ² s	16000 A ² s	200 kA	31 W	3
BS000UB69V200	G330056	690 V	200 A	5250 A ² s	31500 A ² s	200 kA	36 W	3
BS000UB69V250	H330057	690 V	250 A	9860 A ² s	52000 A ² s	200 kA	45 W	3
BS000UB69V315	J330058	690 V	315 A	15420 A ² s	82000 A ² s	200 kA	58 W	3
BS000UB50V350	X330116	500 V	350 A	22400 A ² s	110000 A ² s	120 kA	58 W	3
BS000UB50V400	G330194	500 V	400 A	33180 A ² s	160000 A ² s	120 kA	66 W	3

Size 000 BS88, horizontal body, with indicator

Catalog number	Item number	Rated voltage AC (IEC)	Rated current I _n	Pre-arcing I ² t	Clearing I ² t at Rated Voltage	Rated breaking capacity AC	Power dissipation at I _n	Package
BS000UB69V75P	H330126	690 V	75 A	340 A ² s	2250 A ² s	200 kA	20.5 W	3
BS000UB69V80P	J330127	690 V	80 A	390 A ² s	2500 A ² s	200 kA	21 W	3
BS000UB69V100P	K330128	690 V	100 A	690 A ² s	4200 A ² s	200 kA	23 W	3
BS000UB69V110P	L330129	690 V	110 A	950 A ² s	6800 A ² s	200 kA	24.5 W	3
BS000UB69V125P	M330130	690 V	125 A	1310 A ² s	8900 A ² s	200 kA	26 W	3
BS000UB69V160P	P330132	690 V	160 A	2680 A ² s	16000 A ² s	200 kA	31 W	3
BS000UB69V200P	Q330133	690 V	200 A	5250 A ² s	31500 A ² s	200 kA	36 W	3
BS000UB69V250P	R330134	690 V	250 A	9860 A ² s	52000 A ² s	200 kA	45 W	3
BS000UB50V315P	S330135	500 V	315 A	15420 A ² s	82000 A ² s	200 kA	58 W	3
BS000UB50V350P	T330136	500 V	350 A	22400 A ² s	110000 A ² s	120 kA	58 W	3
BS000UB50V400P	H330195	500 V	400 A	33180 A ² s	160000 A ² s	120 kA	66 W	3



DN00UB69V400L

Size 00 DIN80, vertical body, for monitoring micro-contact

Catalog number	Item number	Rated voltage AC (IEC)	Rated current I _n	Pre-arcing I ² t	Clearing I ² t at Rated Voltage	Rated breaking capacity AC	Power dissipation at I _n	Package
DN00UB69V16L	V330275	690 V	16 A	7 A ² s	52 A ² s	200 kA	7 W	3
DN00UB69V20L	T330274	690 V	20 A	10 A ² s	75 A ² s	200 kA	9 W	3
DN00UB69V25L	M330268	690 V	25 A	15 A ² s	120 A ² s	200 kA	11 W	3
DN00UB69V32L	N330269	690 V	32 A	32 A ² s	210 A ² s	200 kA	15 W	3
DN00UB69V40L	P330270	690 V	40 A	61 A ² s	400 A ² s	200 kA	18 W	3
DN00UB69V50L	Q330271	690 V	50 A	102 A ² s	700 A ² s	200 kA	21 W	3
DN00UB69V63L	R330272	690 V	63 A	177 A ² s	1200 A ² s	200 kA	23 W	3
DN00UB69V80L	D330237	690 V	80 A	390 A ² s	2200 A ² s	200 kA	25 W	3
DN00UB69V100L	E330238	690 V	100 A	692 A ² s	3900 A ² s	200 kA	28 W	3
DN00UB69V125L	F330239	690 V	125 A	1170 A ² s	6600 A ² s	200 kA	33 W	3
DN00UB69V160L	G330240	690 V	160 A	2680 A ² s	14000 A ² s	200 kA	36 W	3
DN00UB69V200L	H330241	690 V	200 A	4690 A ² s	24000 A ² s	200 kA	42 W	3
DN00UB69V250L	J330242	690 V	250 A	8300 A ² s	42500 A ² s	200 kA	50 W	3
DN00UB69V315L	K330243	690 V	315 A	17520 A ² s	81000 A ² s	200 kA	58 W	3
DN00UB69V350L	L330244	690 V	350 A	25450 A ² s	118000 A ² s	200 kA	60 W	3
DN00UB69V400L	M330245	690 V	400 A	33180 A ² s	150000 A ² s	200 kA	70 W	3

Protistor® size 000/00 aR

500 to 690VAC (IEC) / 700VAC (UL)

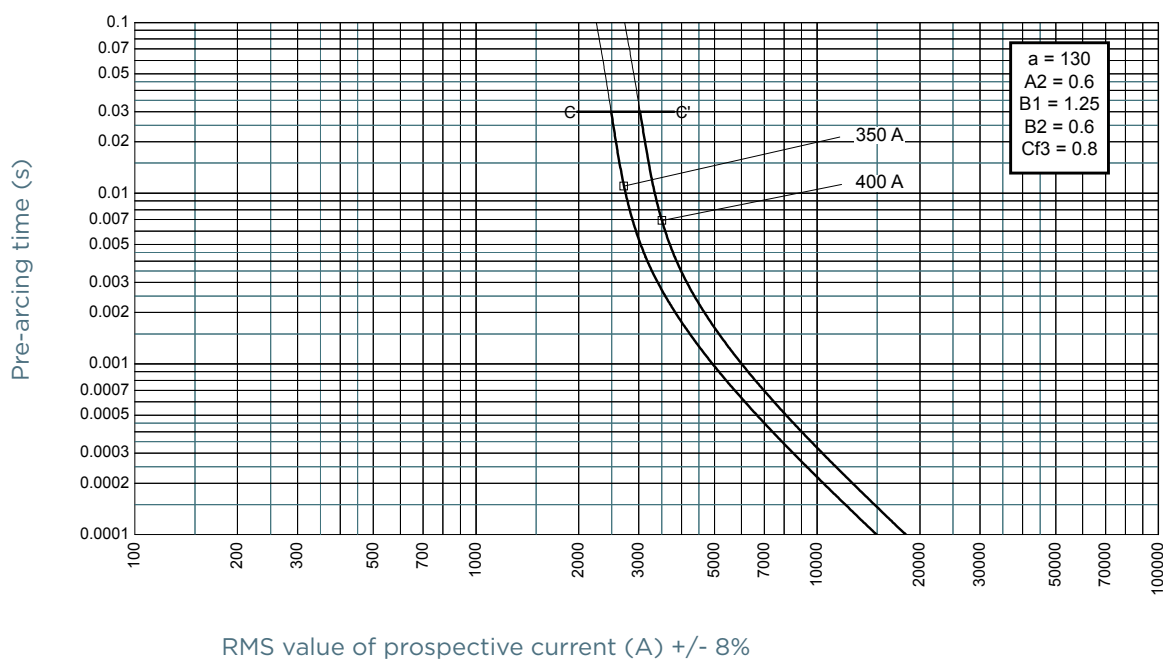
PRODUCT RANGE

Size 00 DIN110, vertical body, for monitoring micro-contact

Catalog number	Item number	Rated voltage AC (IEC)	Rated current I_n	Pre-arcing I^2t	Clearing I^2t at Rated Voltage	Rated breaking capacity AC	Power dissipation at I_n	Package
DN00UB69V80D1L	A330257	690 V	80 A	390 A ² s	2200 A ² s	200 kA	25 W	3
DN00UB69V350D1L	H330264	690 V	350 A	25450 A ² s	118000 A ² s	200 kA	60 W	3
DN00UB69V400D1L	J330265	690 V	400 A	33180 A ² s	150000 A ² s	200 kA	70 W	3
DN00UB69V100D1L	B330258	690 V	100 A	692 A ² s	3900 A ² s	200 kA	28 W	3
DN00UB69V125D1L	C330259	690 V	125 A	1170 A ² s	6600 A ² s	200 kA	33 W	3
DN00UB69V160D1L	D330260	690 V	160 A	2680 A ² s	14000 A ² s	200 kA	36 W	3
DN00UB69V200D1L	E330261	690 V	200 A	4690 A ² s	24000 A ² s	200 kA	42 W	3
DN00UB69V250D1L	F330262	690 V	250 A	8300 A ² s	42500 A ² s	200 kA	50 W	3
DN00UB69V315D1L	G330263	690 V	315 A	17520 A ² s	81000 A ² s	200 kA	58 W	3

TIME CURRENT CHARACTERISTIC CURVES

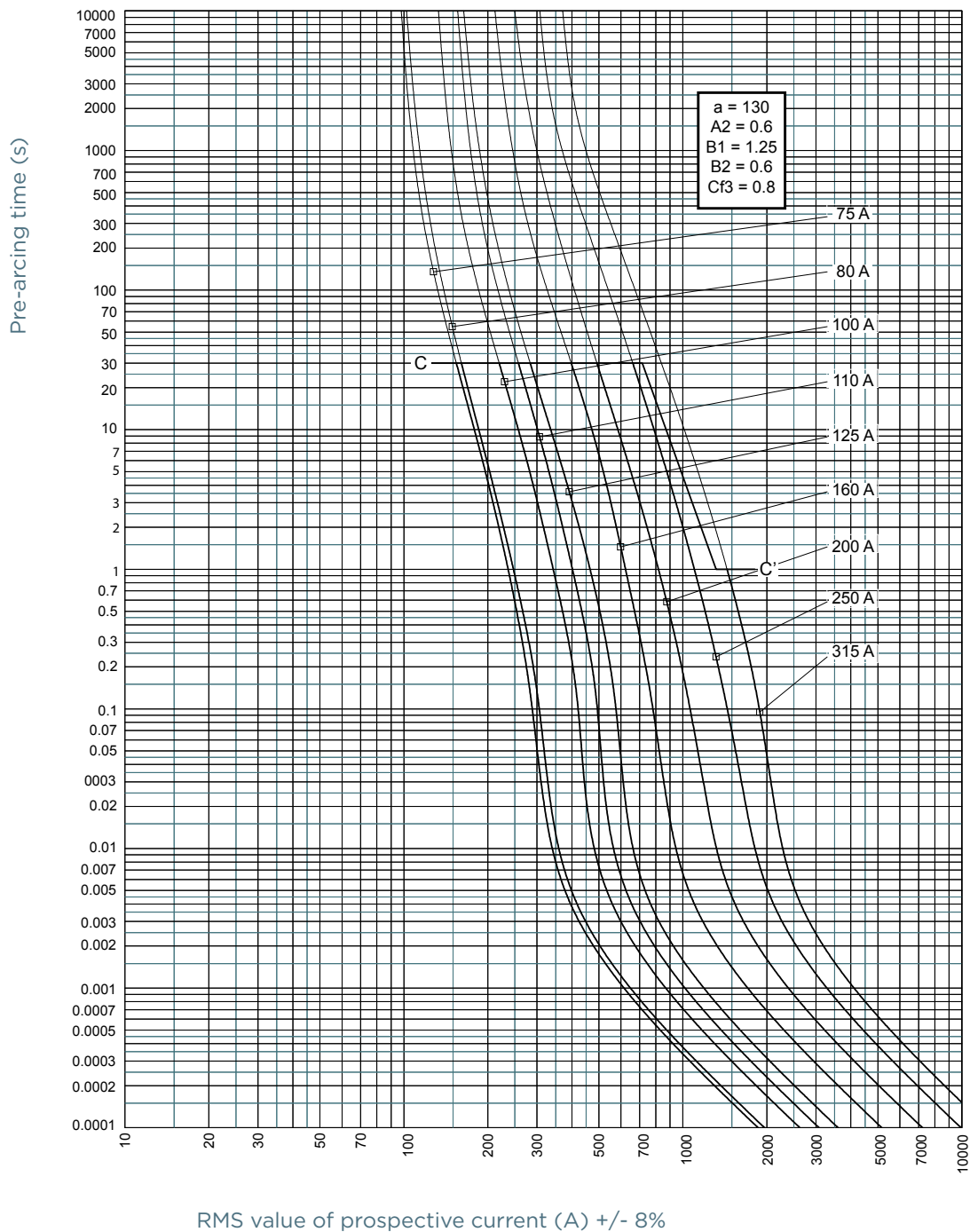
Size 000, 500VAC



MERSEN reserves the right to change, update or correct, without notice, any information contained in this datasheet.

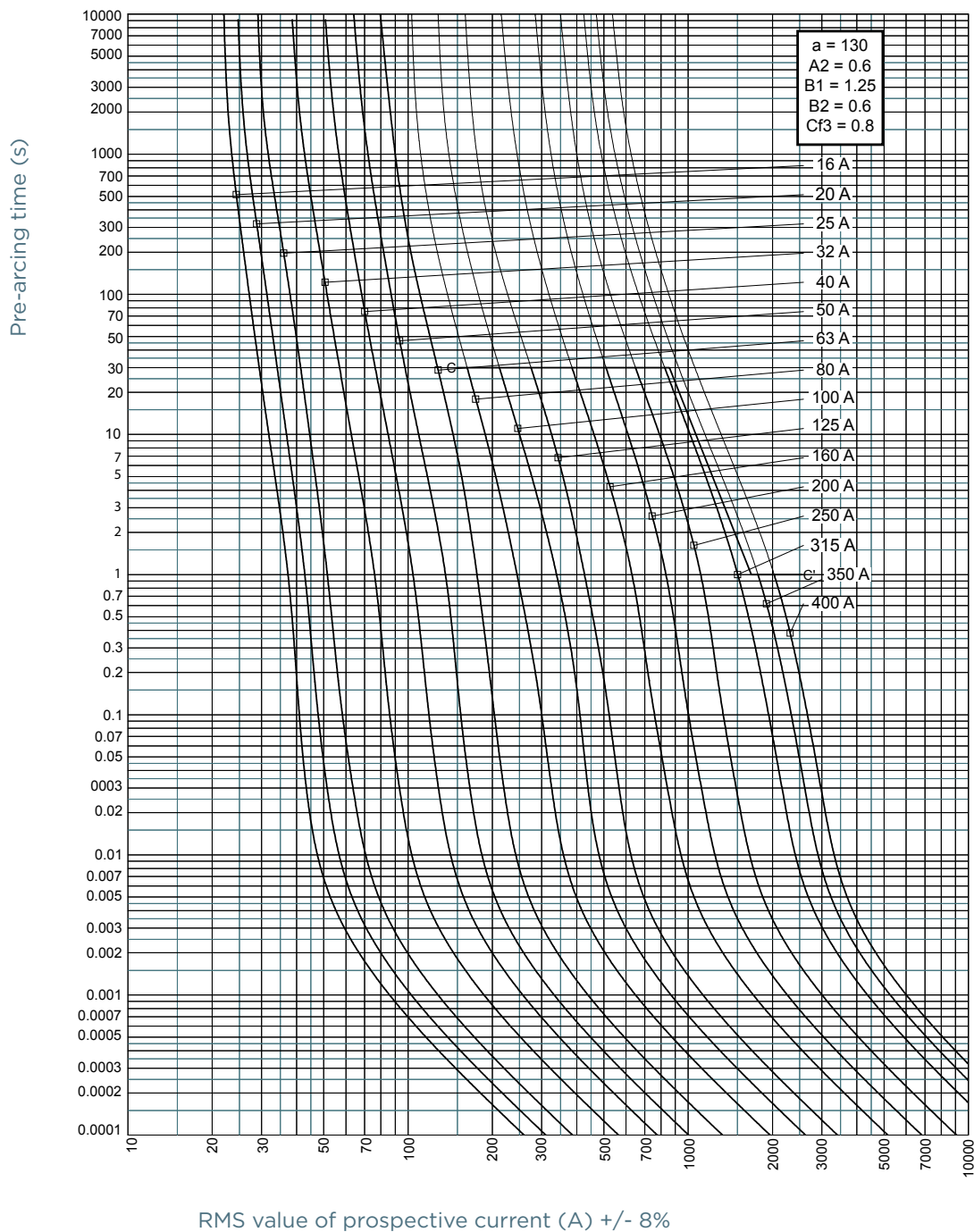
TIME CURRENT CHARACTERISTIC CURVES

Size 000, 690VAC



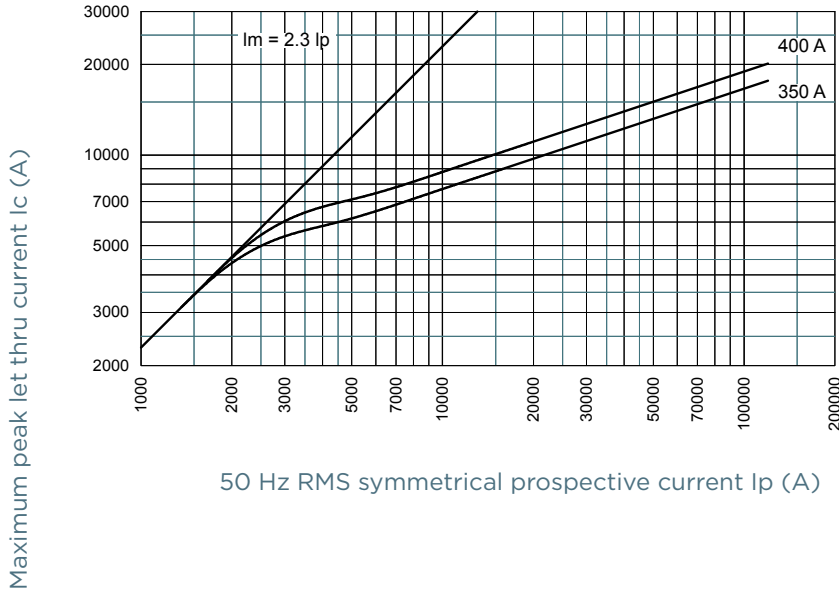
TIME CURRENT CHARACTERISTIC CURVES

Size 00, 690VAC

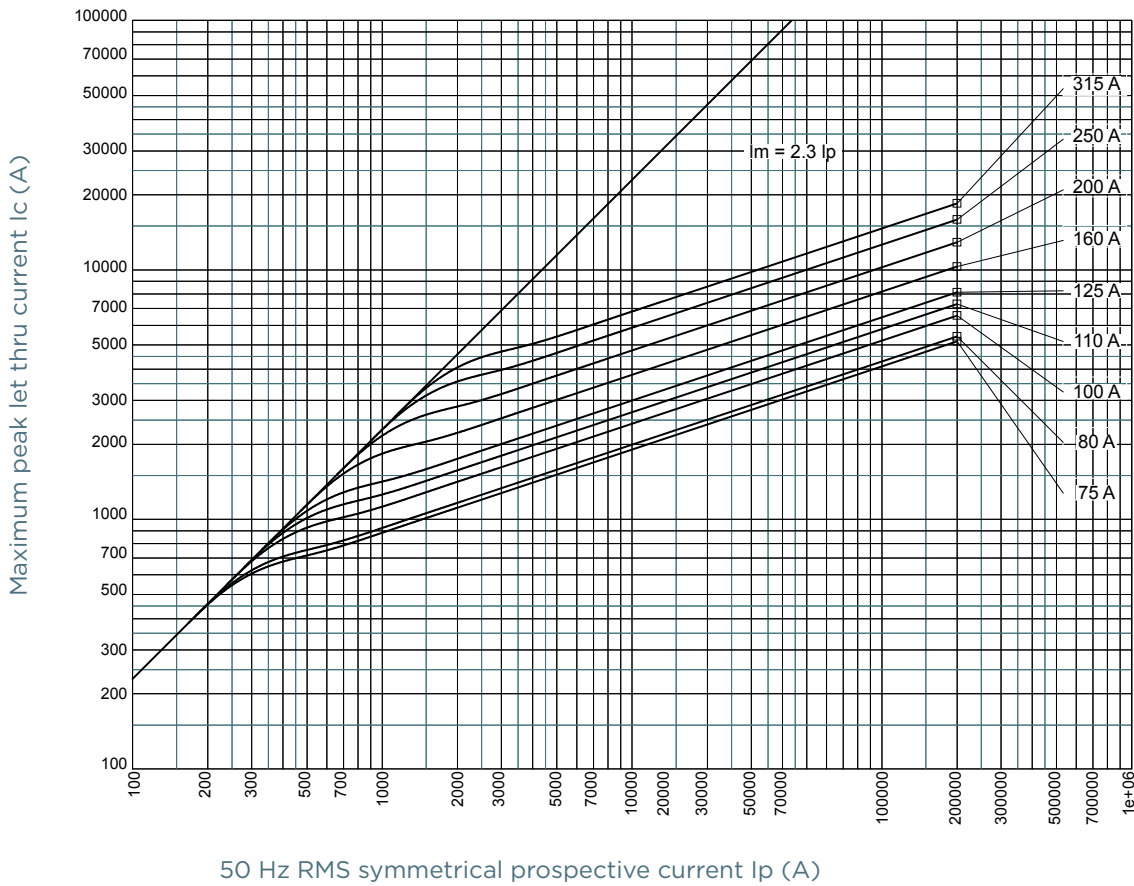


CUT-OFF CURRENT CHARACTERISTIC

Size 000, 500VAC



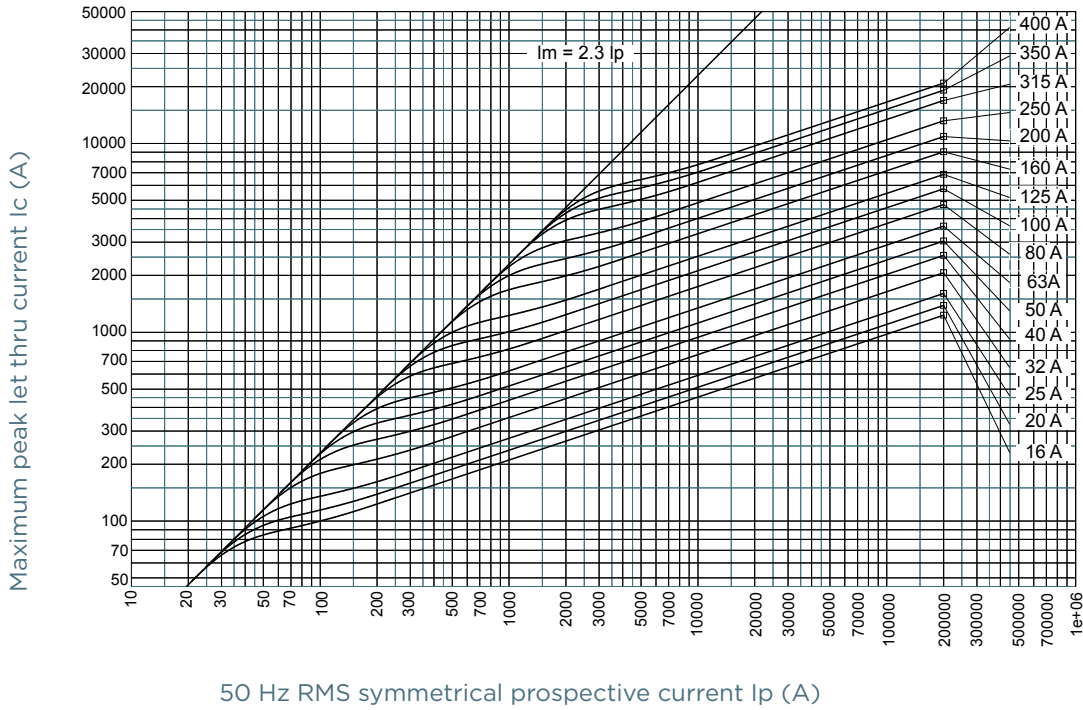
Size 000, 690VAC



MERSEN reserves the right to change, update or correct, without notice, any information contained in this datasheet.

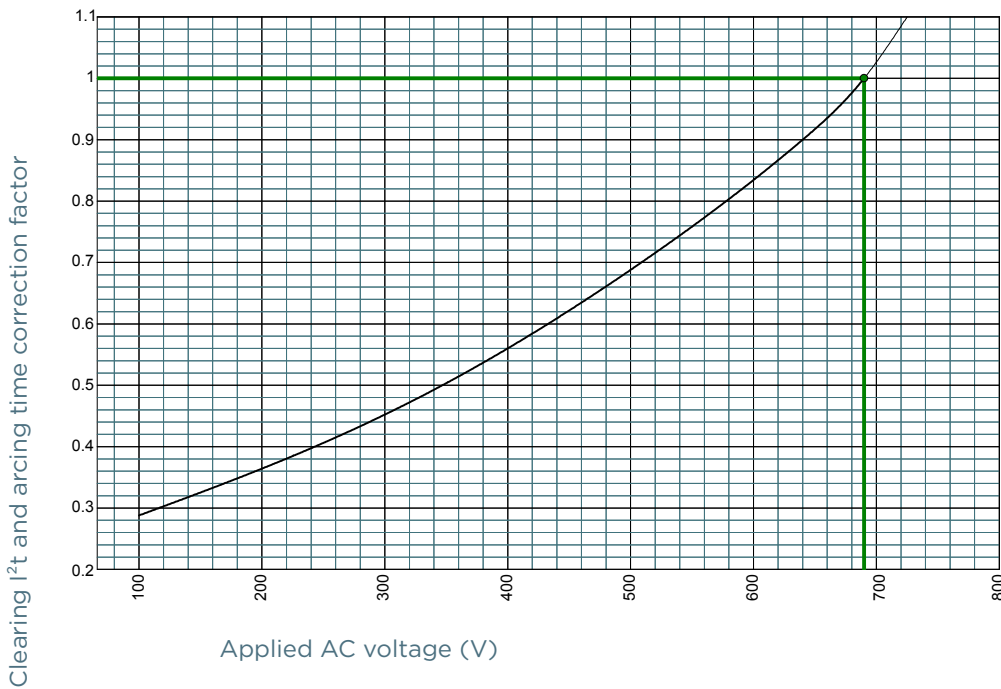
CUT-OFF CURRENT CHARACTERISTIC

Size 00, 690VAC



I^2t MULTIPLIER COEFFICIENT

Size 000, 500VAC



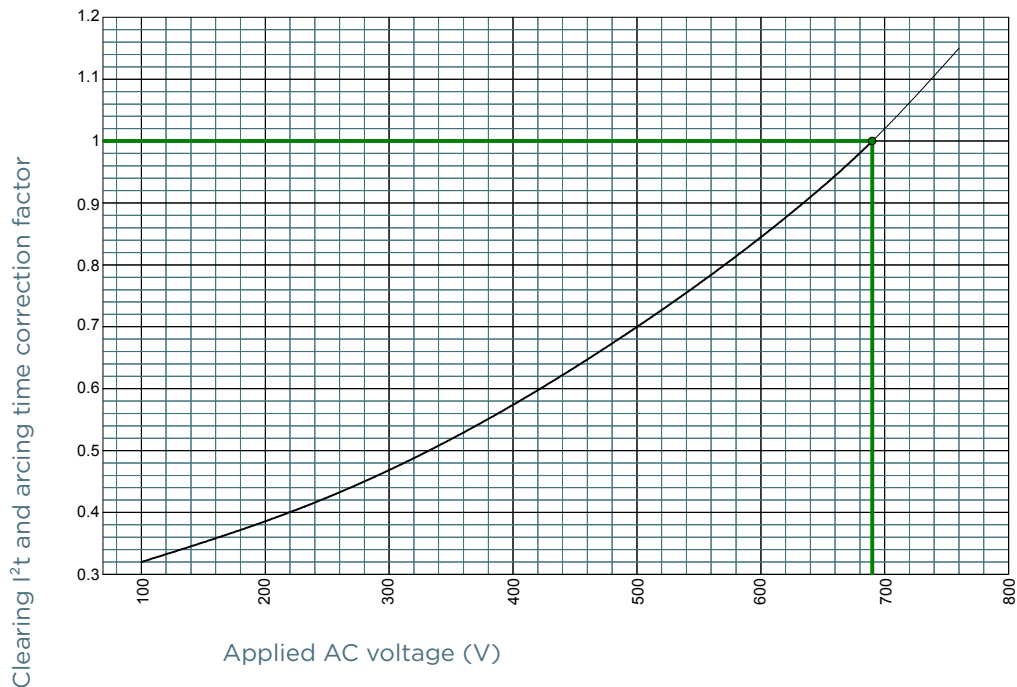
MERSEN reserves the right to change, update or correct, without notice, any information contained in this datasheet.

Protistor® size 000/00 aR

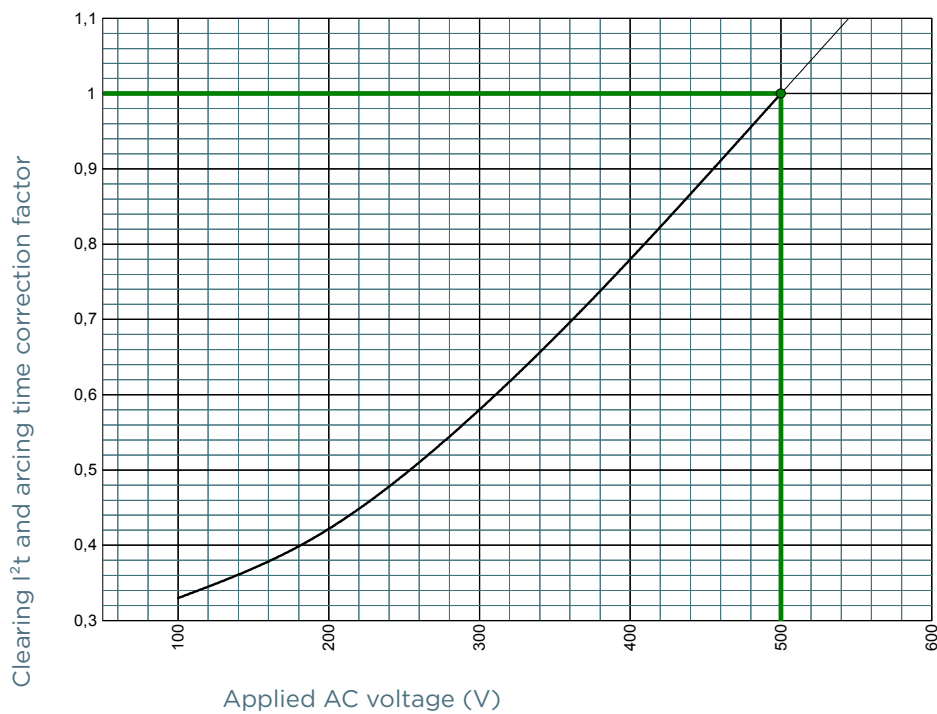
500 to 690VAC (IEC) / 700VAC (UL)

I²T MULTIPLIER COEFFICIENT

Size 000, 690VAC



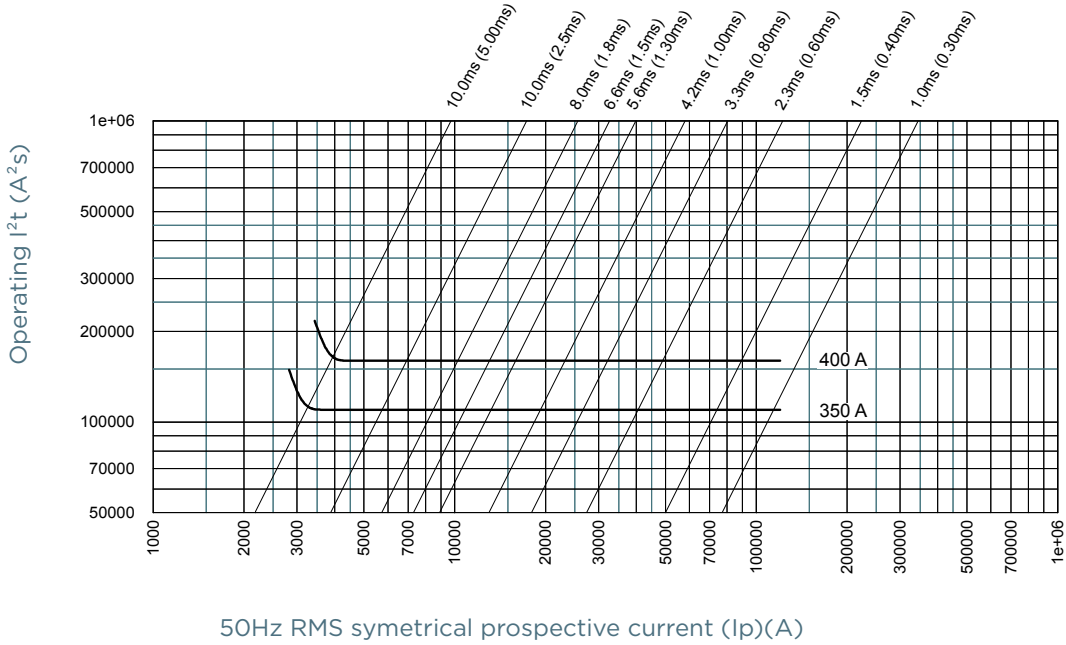
Size 00, 690VAC



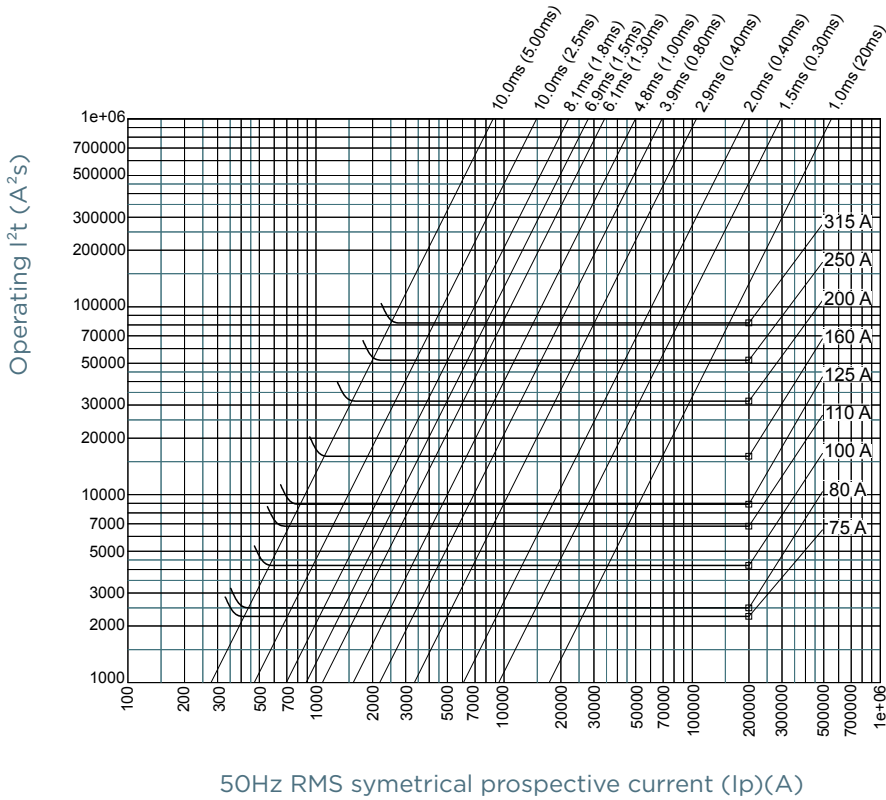
MERSEN reserves the right to change, update or correct, without notice, any information contained in this datasheet.

CHARACTERISTICS TOTAL I²T CURVE

Size 000, 500VAC



Size 000, 690VAC

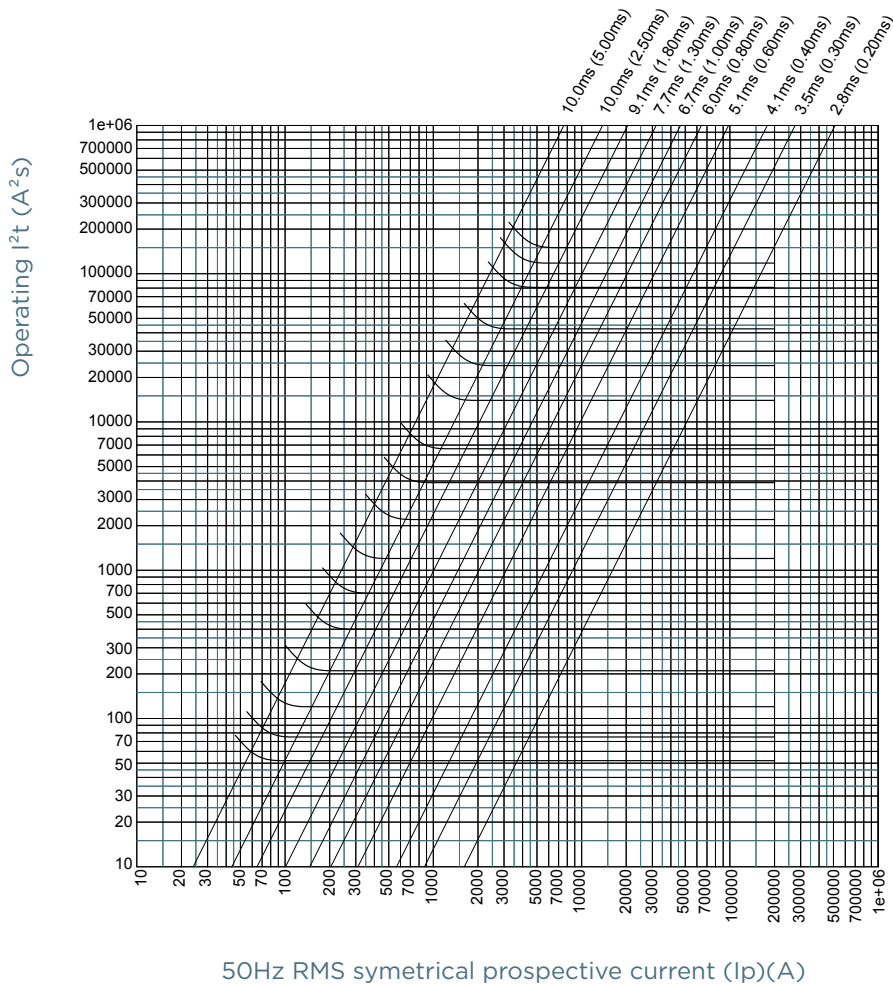


Protistor® size 000/00 aR

500 to 690VAC (IEC) / 700VAC (UL)

CHARACTERISTICS TOTAL I²T CURVE

Size 00, 690VAC



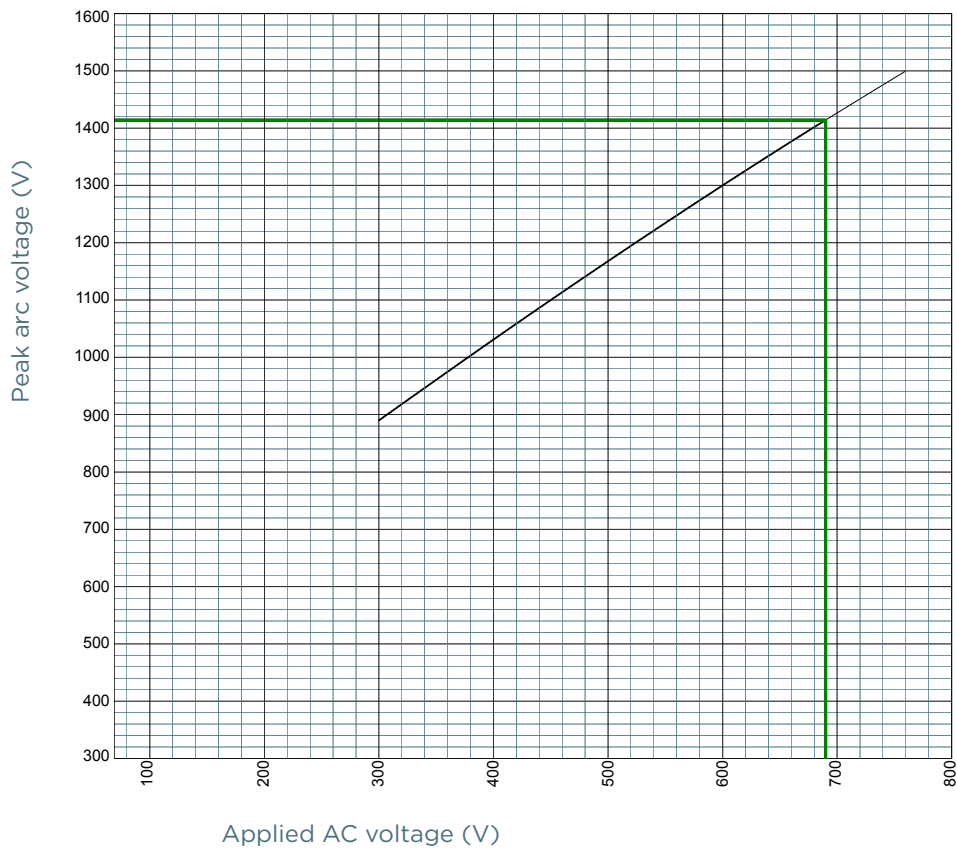
MERSEN reserves the right to change, update or correct, without notice, any information contained in this datasheet.

Protistor® size 000/00 aR

500 to 690VAC (IEC) / 700VAC (UL)

PEAK ARC VOLTAGE

Size 000, 500VAC



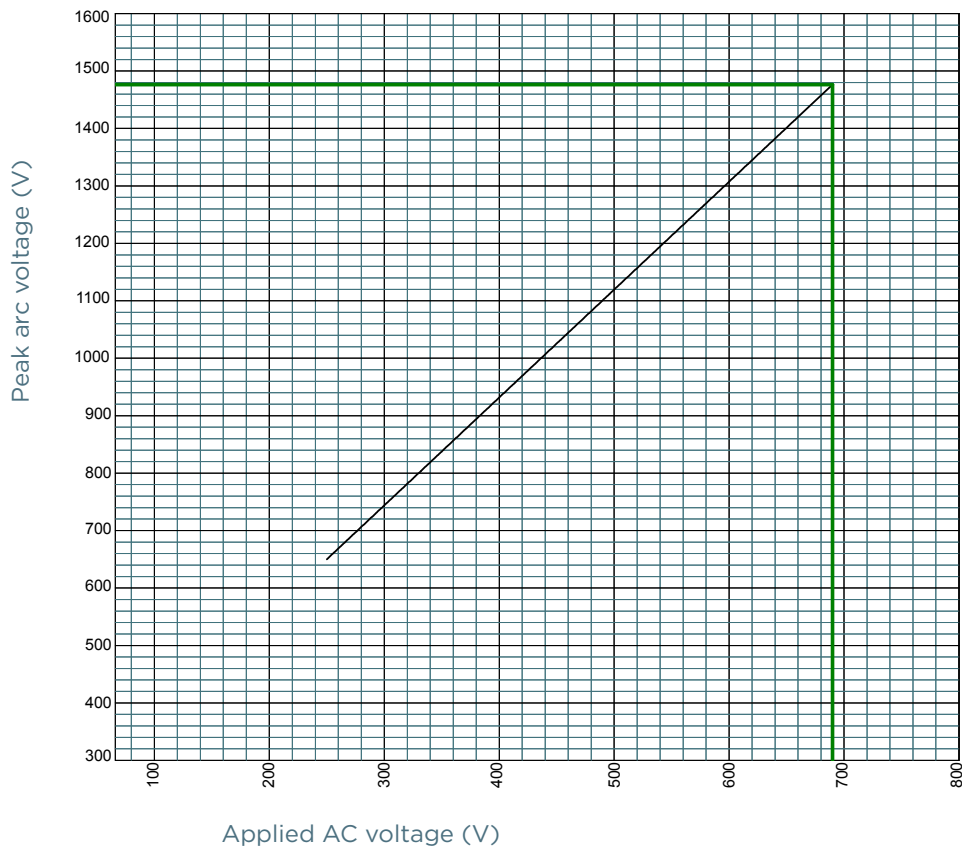
MERSEN reserves the right to change, update or correct, without notice, any information contained in this datasheet.

Protistor® size 000/00 aR

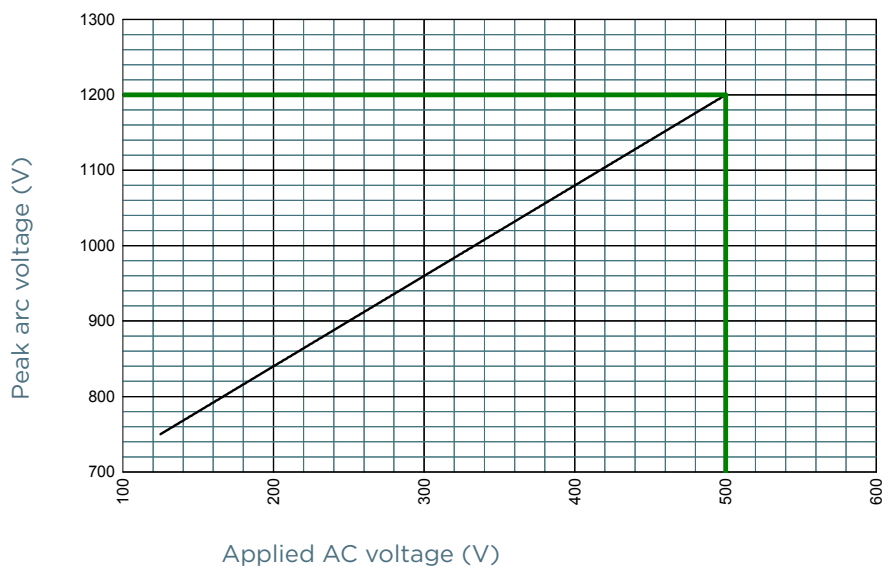
500 to 690VAC (IEC) / 700VAC (UL)

PEAK ARC VOLTAGE

Size 000, 690VAC



Size 00, 690VAC



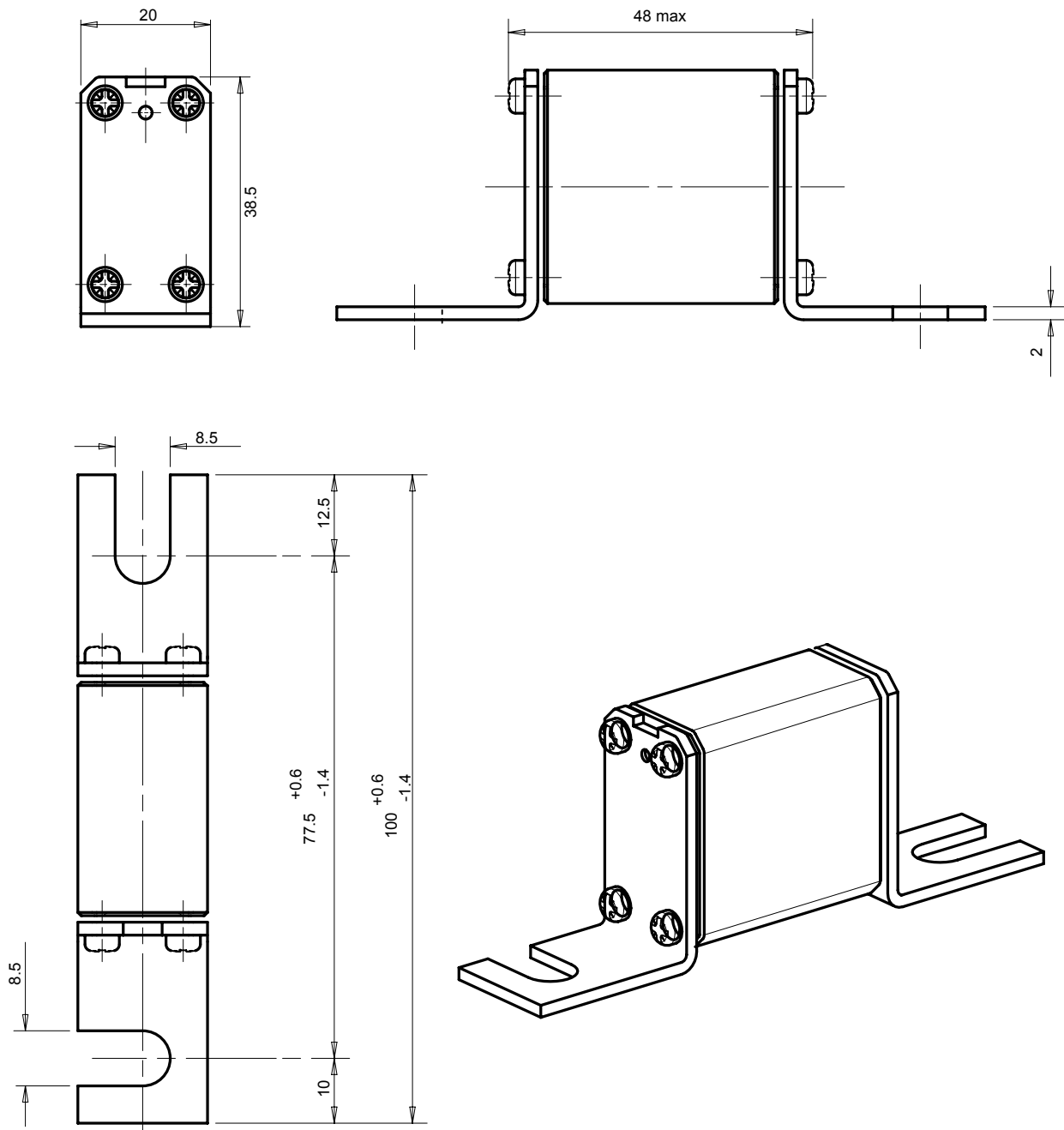
MERSEN reserves the right to change, update or correct, without notice, any information contained in this datasheet.

Protistor® size 000/00 aR

500 to 690VAC (IEC) / 700VAC (UL)

DIMENSIONS

Size 000 without indicator



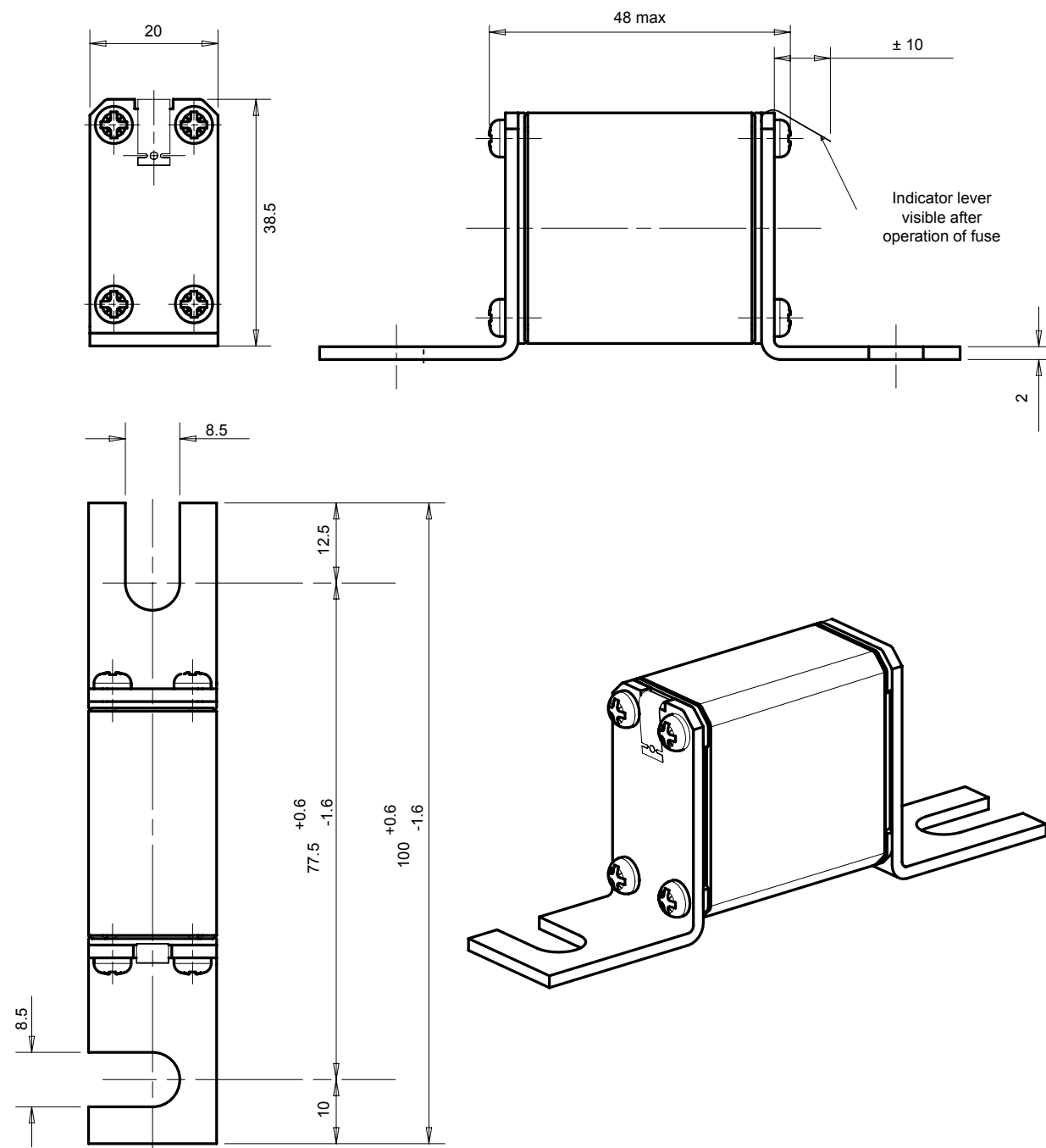
Dimensions in mm

Protistor® size 000/00 aR

500 to 690VAC (IEC) / 700VAC (UL)

DIMENSIONS

Size 000 with indicator



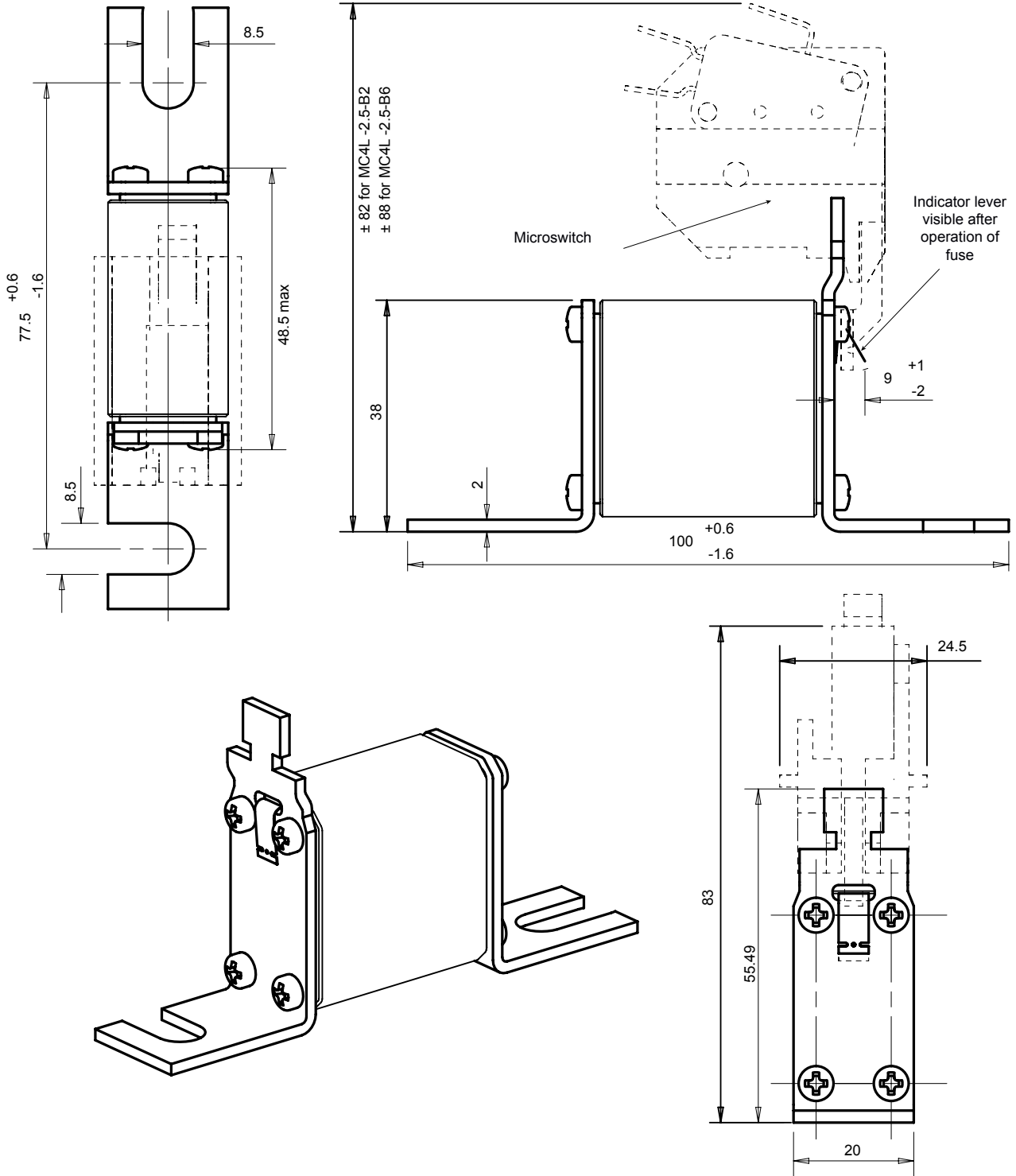
Dimensions in mm

Protistor® size 000/00 aR

500 to 690VAC (IEC) / 700VAC (UL)

DIMENSIONS

Size 000 for monitoring micro-contact



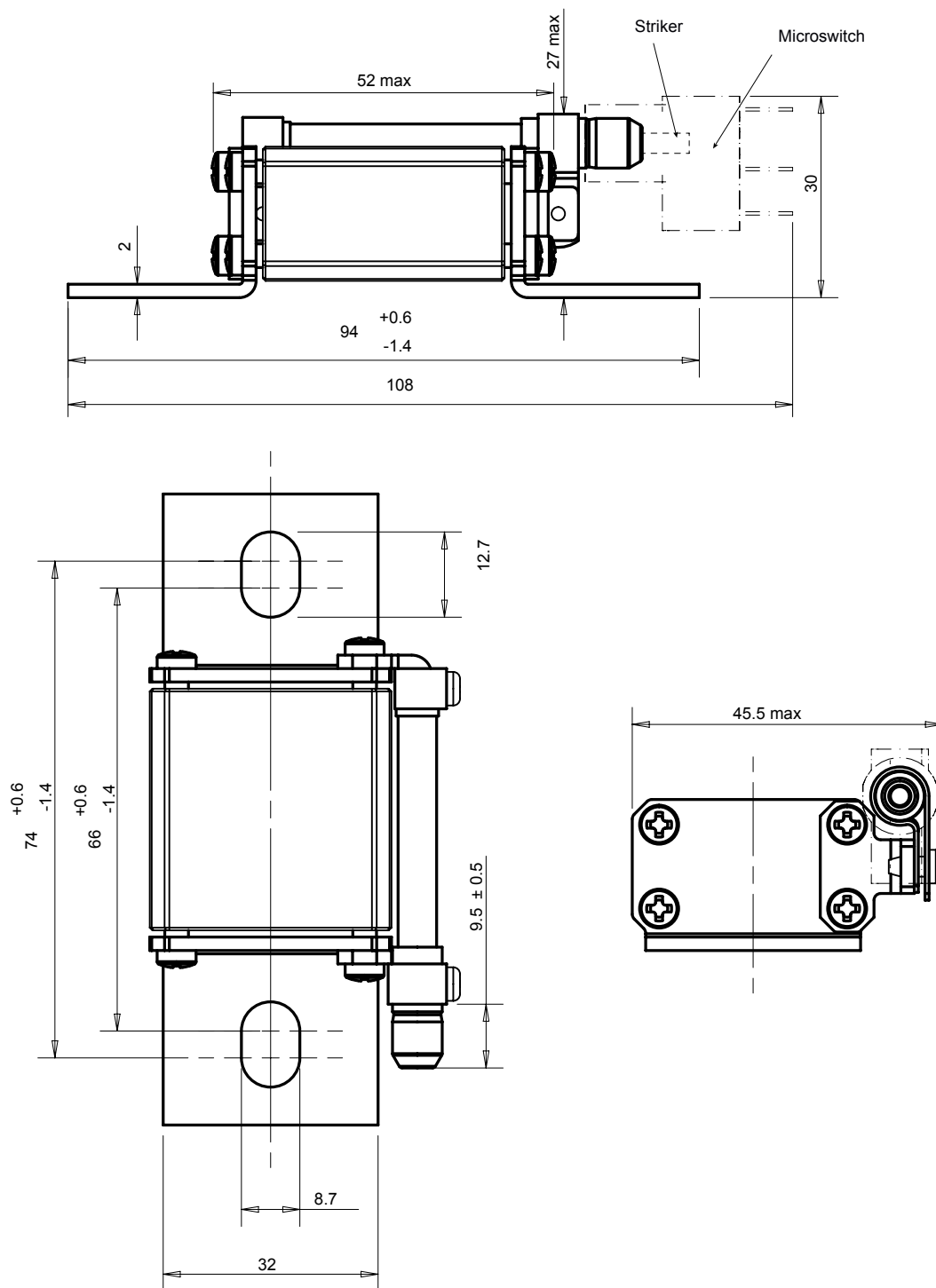
Dimensions in mm

Protistor® size 000/00 aR

500 to 690VAC (IEC) / 700VAC (UL)

DIMENSIONS

Size 000 BS88 with indicator



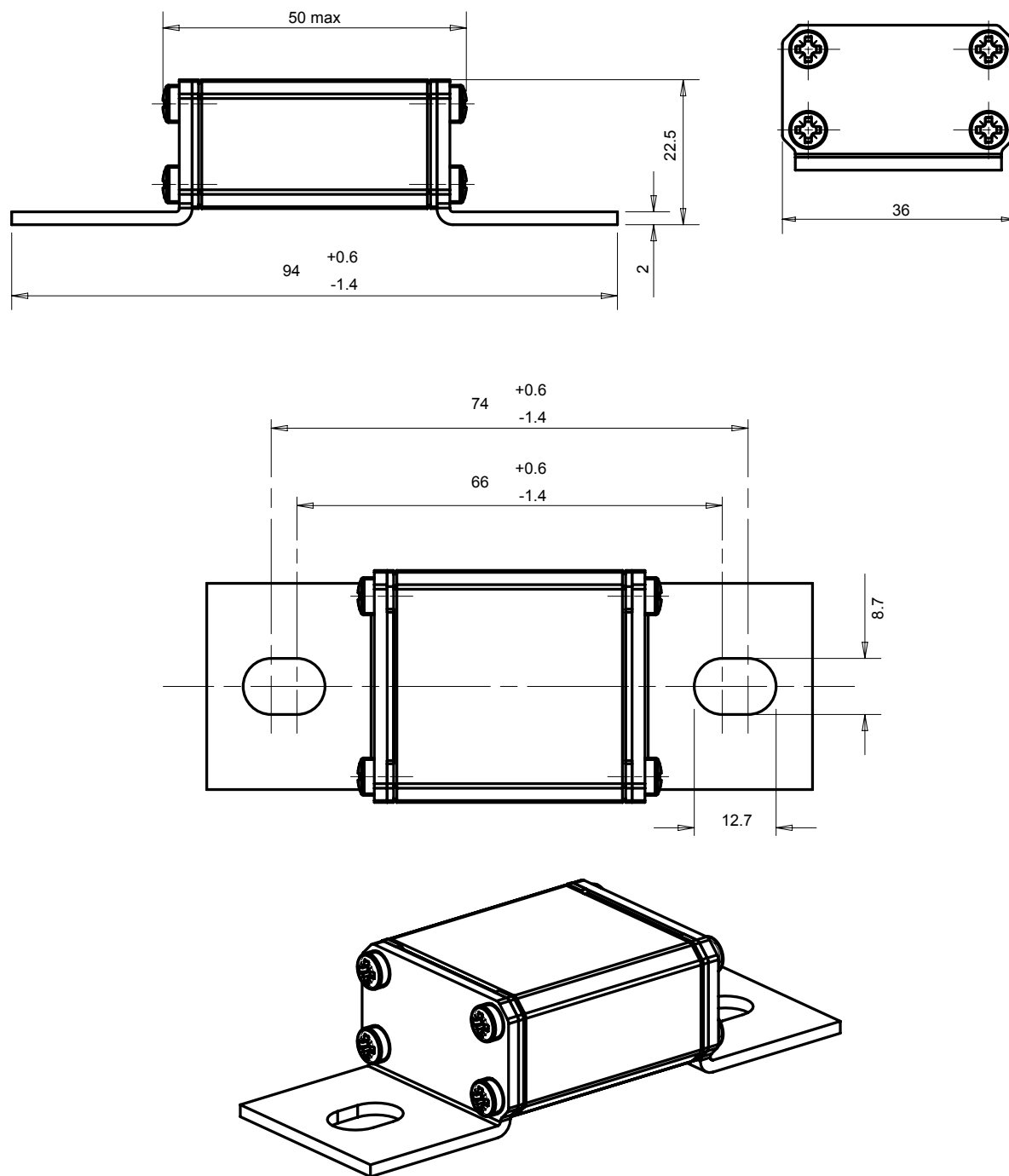
Dimensions in mm

Protistor® size 000/00 aR

500 to 690VAC (IEC) / 700VAC (UL)

DIMENSIONS

Size 000 BS88 without indicator



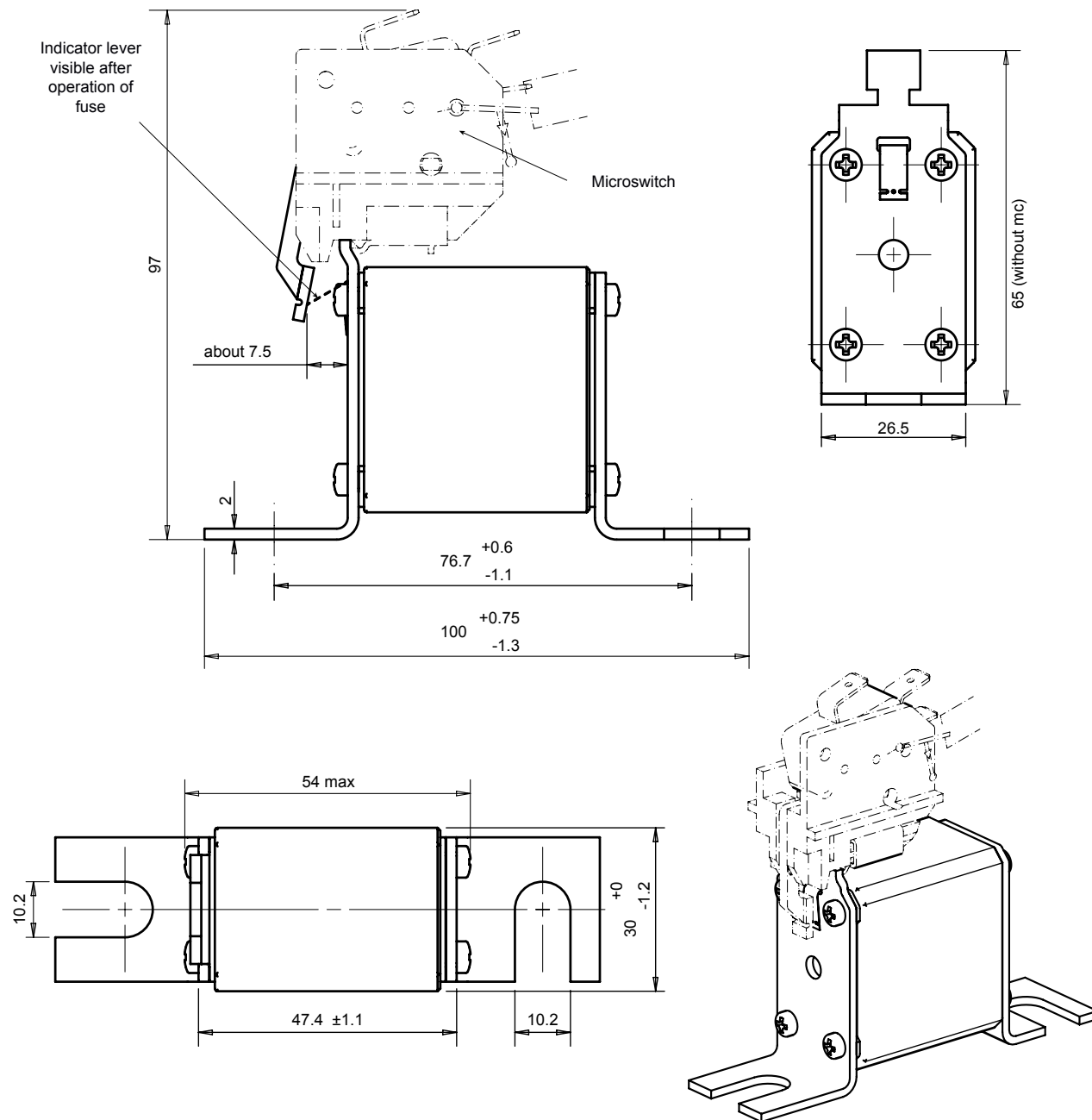
Dimensions in mm

Protistor® size 000/00 aR

500 to 690VAC (IEC) / 700VAC (UL)

DIMENSIONS

Size 00 DIN80 for monitoring micro-contact



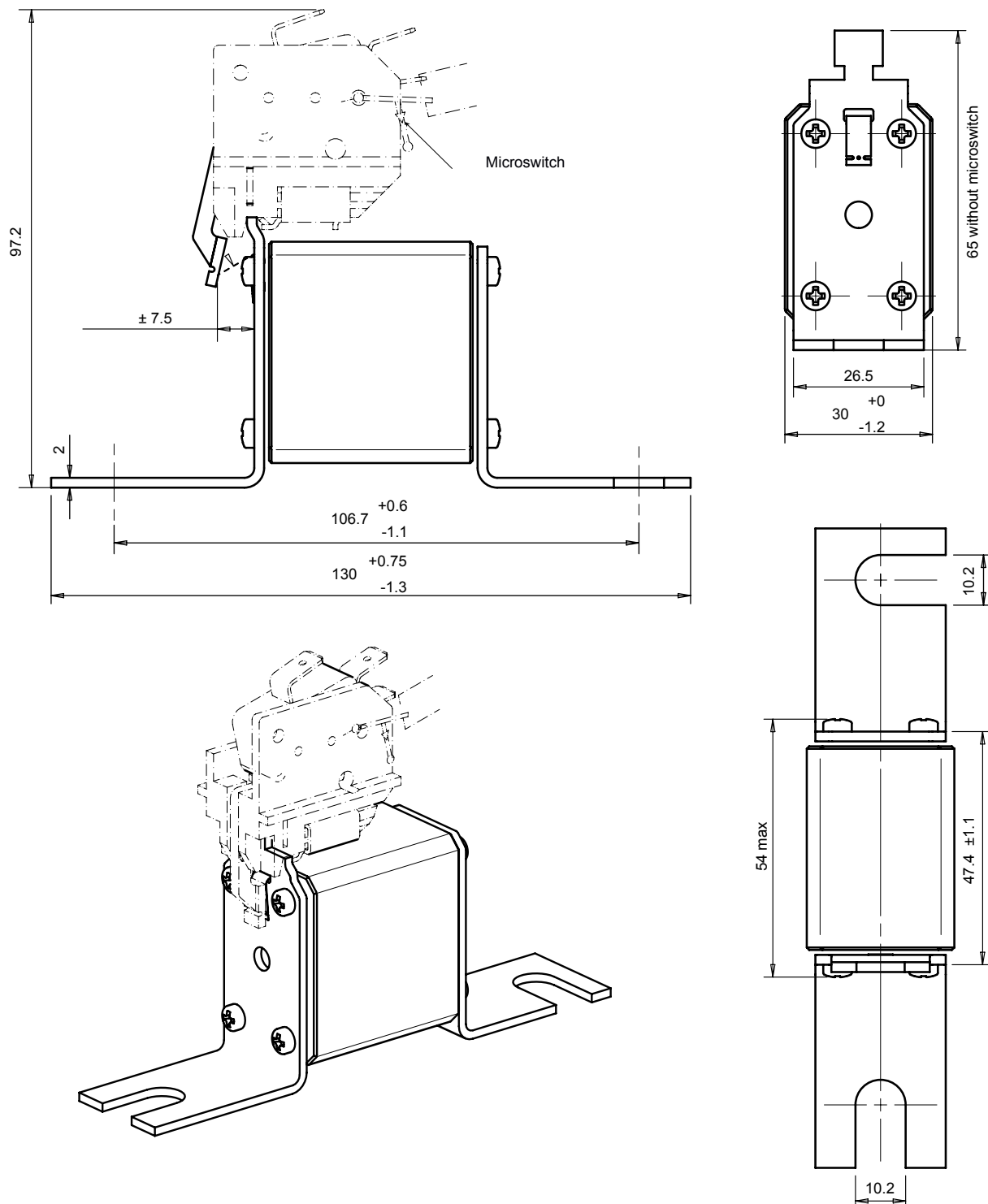
Dimensions in mm

Protistor® size 000/00 aR

500 to 690VAC (IEC) / 700VAC (UL)

DIMENSIONS

Size 00 DIN110 for monitoring micro-contact



Dimensions in mm

MERSEN reserves the right to change, update or correct, without notice, any information contained in this datasheet.

Protistor® size 000/00 aR

500 to 690VAC (IEC) / 700VAC (UL)

APPENDIX

Index

Catalog number	Item number	Description ERP	Weight	Page
DN000UB69V80	K330036	6,9URB000D08/080	0.1320 kg	2
DN000UB69V100	L330037	6,9URB000D08/100	0.1320 kg	2
DN000UB69V125	M330038	6,9URB000D08/125	0.1320 kg	2
DN000UB69V160	N330039	6,9URB000D08/160	0.1320 kg	2
DN000UB69V200	P330040	6,9URB000D08/200	0.1320 kg	2
DN000UB69V250	Q330041	6,9URB000D08/250	0.1320 kg	2
DN000UB69V315	R330042	6,9URB000D08/315	0.1320 kg	2
DN000UB50V350	V330114	5URB000D08/350	0.1320 kg	2
DN000UB50V400	D330191	5URB000D08/400	0.1320 kg	2
DN000UB69V80V	W330023	6,9URB000D08V080	0.1253 kg	2
DN000UB69V100V	X330024	6,9URB000D08V100	0.1253 kg	2
DN000UB69V125V	Y330025	6,9URB000D08V125	0.1253 kg	2
DN000UB69V160V	Z330026	6,9URB000D08V160	0.1253 kg	2
DN000UB69V200V	A330027	6,9URB000D08V200	0.1253 kg	2
DN000UB69V250V	B330028	6,9URB000D08V250	0.1253 kg	2
DN000UB69V315V	C330029	6,9URB000D08V315	0.1253 kg	2
DN000UB50V350V	W330115	5URB000D08V350	0.1253 kg	2
DN000UB50V400V	E330192	5URB000D08V400	0.1253 kg	2
DN000UB69V80L	T330182	6,9URB000D08L080	0.1283 kg	2
DN000UB69V100L	V330183	6,9URB000D08L100	0.1283 kg	2
DN000UB69V125L	W330184	6,9URB000D08L125	0.1283 kg	2
DN000UB69V160L	X330185	6,9URB000D08L160	0.1283 kg	2
DN000UB69V200L	Y330186	6,9URB000D08L200	0.1283 kg	2
DN000UB69V250L	Z330187	6,9URB000D08L250	0.1283 kg	2
DN000UB69V315L	A330188	6,9URB000D08L315	0.1283 kg	2
DN000UB50V350L	B330189	5URB000D08L350	0.1283 kg	2
DN000UB50V400L	F330193	5URB000D08L400	0.1283 kg	2
BS000UB69V75	B330051	6,9URB000BS88/075	0.1410 kg	3
BS000UB69V80	C330052	6,9 URB 000 BS 88/079	0.1410 kg	3
BS000UB69V100	D330053	6,9URB000BS88/100	0.1410 kg	3
BS000UB69V110	E330100	6,9URB000BS88/110	0.1410 kg	3
BS000UB69V125	E330054	6,9URB000BS88/125	0.1410 kg	3
BS000UB69V160	F330055	6,9URB000BS88/160	0.1410 kg	3
BS000UB69V200	G330056	6,9URB000BS88/200	0.1410 kg	3
BS000UB69V250	H330057	6,9URB000BS88/250	0.1410 kg	3
BS000UB69V315	J330058	6,9URB000BS88/0315	0.1410 kg	3
BS000UB50V350	X330116	5URB000BS88/350	0.1410 kg	3
BS000UB50V400	G330194	5URB000BS88 400	0.1410 kg	3
BS000UB69V75P	H330126	6,9 URB 000 BS88 P 075	0.1556 kg	3
BS000UB69V80P	J330127	6,9 URB 000 BS88 P 080	0.1556 kg	3
BS000UB69V100P	K330128	6,9 URB 000 BS88 P 100	0.1556 kg	3
BS000UB69V110P	L330129	6,9 URB 000 BS88 P 110	0.1556 kg	3
BS000UB69V125P	M330130	6,9 URB 000 BS88 P 125	0.1556 kg	3
BS000UB69V160P	P330132	6,9 URB 000 BS88 P 160	0.1556 kg	3
BS000UB69V200P	Q330133	6,9URB000BS88P200	0.1556 kg	3
BS000UB69V250P	R330134	6,9 URB 000 BS88 P 250	0.1556 kg	3
BS000UB50V315P	S330135	6,9 URB 000 BS88 P 315	0.1556 kg	3
BS000UB50V350P	T330136	5 URB 000 BS88 P 350	0.1556 kg	3
BS000UB50V400P	H330195	5 URB 000 BS88 P 400	0.1556 kg	3
DN000UB69V16L	V330275	6,9URB000D08L016	0.2000 kg	3
DN000UB69V20L	T330274	6,9URB000D08L020	0.2000 kg	3
DN000UB69V25L	M330268	6,9URB000D08L025	0.2000 kg	3
DN000UB69V32L	N330269	6,9URB000D08L032	0.2000 kg	3
DN000UB69V40L	P330270	6,9URB000D08L040	0.2000 kg	3
DN000UB69V50L	Q330271	6,9URB000D08L050	0.2000 kg	3

MERSEN reserves the right to change, update or correct, without notice, any information contained in this datasheet.

Protistor® size 000/00 aR

500 to 690VAC (IEC) / 700VAC (UL)

Index

Catalog number	Item number	Description ERP	Weight	Page
DN00UB69V63L	R330272	6,9URB00D08L063	0.2000 kg	3
DN00UB69V80L	D330237	6,9URB00D08L080	0.2000 kg	3
DN00UB69V100L	E330238	6,9URB00D08L100	0.2000 kg	3
DN00UB69V125L	F330239	6,9URB00D08L125	0.2000 kg	3
DN00UB69V160L	G330240	6,9URB00D08L160	0.2000 kg	3
DN00UB69V200L	H330241	6,9URB00D08L200	0.2026 kg	3
DN00UB69V250L	J330242	6,9URB00D08L250	0.2026 kg	3
DN00UB69V315L	K330243	6,9URB00D08L315	0.2066 kg	3
DN00UB69V350L	L330244	6,9URB00D08L350	0.2026 kg	3
DN00UB69V400L	M330245	6,9URB00D08L400	0.2026 kg	3
DN00UB69V80D1L	A330257	6,9 URB 00 D08L 080	0.2400 kg	4
DN00UB69V350D1L	H330264	6,9URB00D11L350	0.2400 kg	4
DN00UB69V400D1L	J330265	6,9URB00D11L400	0.2400 kg	4
DN00UB69V100D1L	B330258	6,9URB00D11L100	0.2400 kg	4
DN00UB69V125D1L	C330259	6,9URB00D11L125	0.2400 kg	4
DN00UB69V160D1L	D330260	6,9URB00D11L160	0.2400 kg	4
DN00UB69V200D1L	E330261	6,9URB00D11L200	0.2400 kg	4
DN00UB69V250D1L	F330262	6,9URB00D11L250	0.2400 kg	4
DN00UB69V315D1L	G330263	6,9URB00D11L315	0.2400 kg	4

MERSEN reserves the right to change, update or correct, without notice, any information contained in this datasheet.